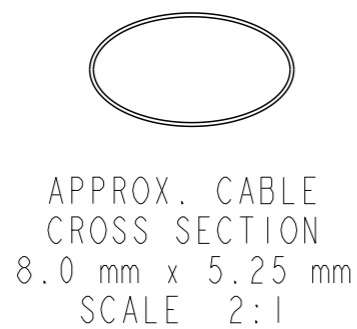
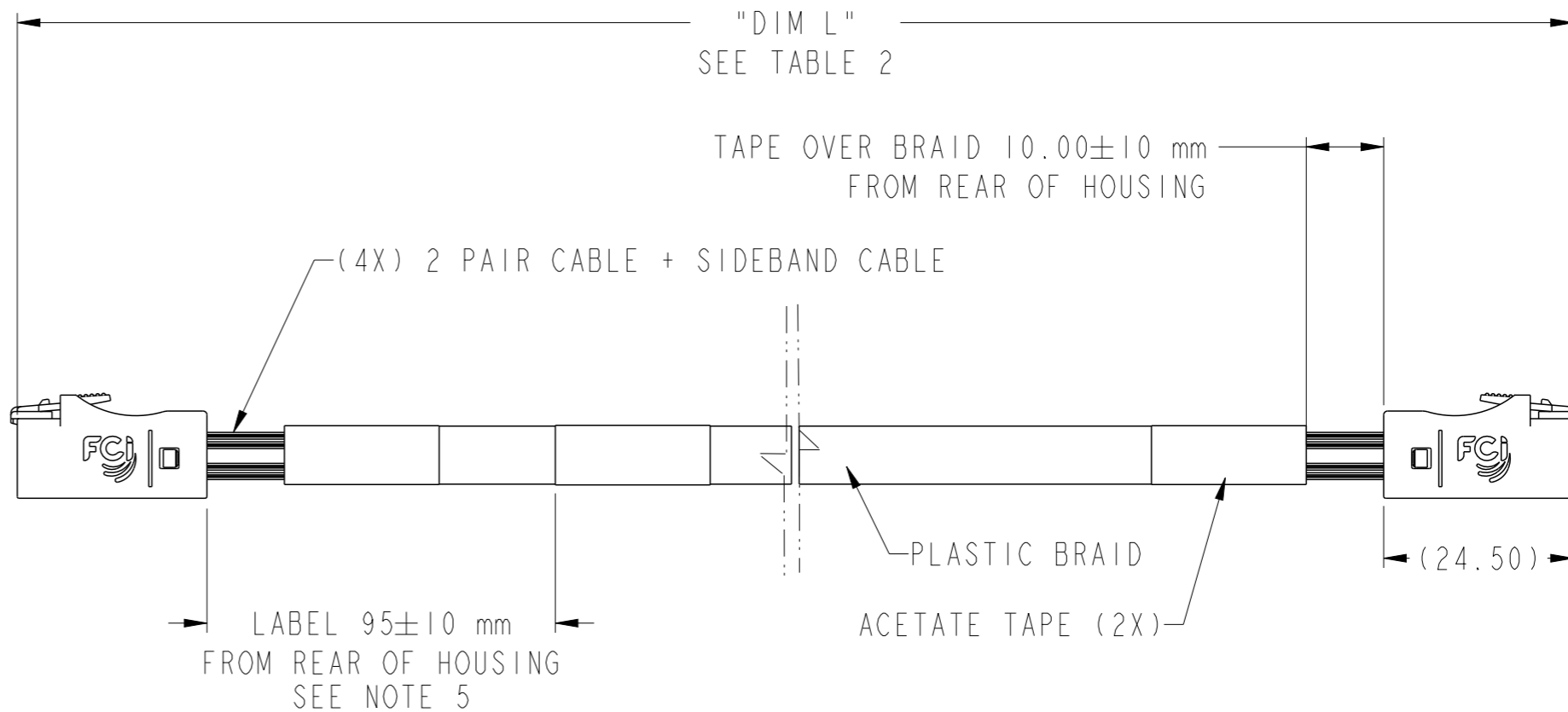
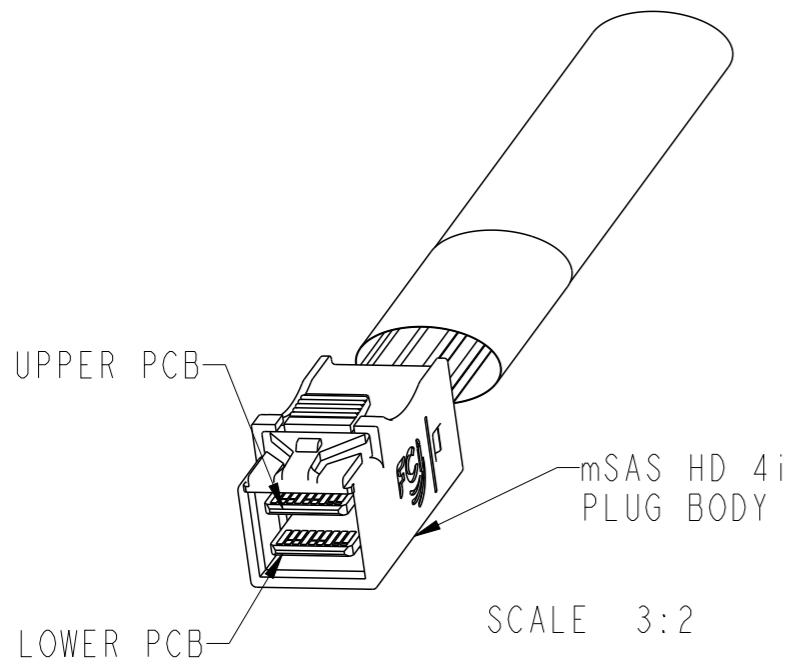


| FCI PART NUMBER | DESCRIPTION                           | NOTES       |
|-----------------|---------------------------------------|-------------|
| 10119217-XXXXLF | CONTROLLER TO BACKPLANE CONFIGURATION | SEE TABLE 1 |



|                                       |                     |         |            |            |   |  |                    |                                   |              |          |
|---------------------------------------|---------------------|---------|------------|------------|---|--|--------------------|-----------------------------------|--------------|----------|
| spec ref                              | -                   | dr      | David Lord | 2011/12/15 | projection  | mm   | size               | A3                                | scale        | 1:1      |
| tolerance std                         | ISO 406<br>ISO 1101 | eng     | Ya LI      | 2018/01/16 |   |  | ecn no             | ELX-N-29059-1                     |              |          |
| TOLERANCES UNLESS OTHERWISE SPECIFIED |                     | chr     | -          | -          |   |  | product family     | -                                 | rel level    | Released |
| surface                               | <br>ISO 1302        | linear  | 0.X        | ±0.3       | <b>Amphenol FCI</b><br><a href="http://www.fci.com">www.fci.com</a> | mSAS HD INTERNAL (4i)<br>CABLE ASSEMBLY- 12 Gb/s | dwg no<br>10119217 | rev                               |              | F        |
|                                       |                     |         | 0.XX       | ±0.10      |   |  |                    | cat. no. - Product - Customer Drw | sheet 1 of 4 |          |
|                                       |                     | angular | 0°         | ±2°        |   |  |                    |                                   |              |          |

| FCI PART NUMBER | DESCRIPTION                           | NOTES       |
|-----------------|---------------------------------------|-------------|
| 10119217-XXXXLF | CONTROLLER TO BACKPLANE CONFIGURATION | SEE TABLE 1 |

**TABLE 2- CABLE PART NUMBER LIST**

| PART NUMBER     | "DIM L" CABLE LENGTH (METERS) | AWG | NOTES   |
|-----------------|-------------------------------|-----|---|
| 10119217-2030LF | 0.3                           | 30  | CONTROLLER TO BACKPLANE WIRING CONFIGURATION (SHEET 2)<br>----<br>(SEE SHEET 4 FOR ALL NOTES) |
| 10119217-2040LF | 0.4                           | 30  |   |
| 10119217-2050LF | 0.5                           | 30  |   |
| 10119217-2060LF | 0.6                           | 30  |   |
| 10119217-2070LF | 0.7                           | 30  |   |
| 10119217-2080LF | 0.8                           | 30  |   |
| 10119217-2090LF | 0.9                           | 30  |   |
| 10119217-2100LF | 1.0                           | 30  |   |
| 10119217-2125LF | 1.25                          | 30  |   |
| 10119217-2200LF | 2.0                           | 30  |   |
| 10119217-2095LF | 0.95                          | 30  |   |
| 10119217-2025LF | 0.25                          | 30  |   |



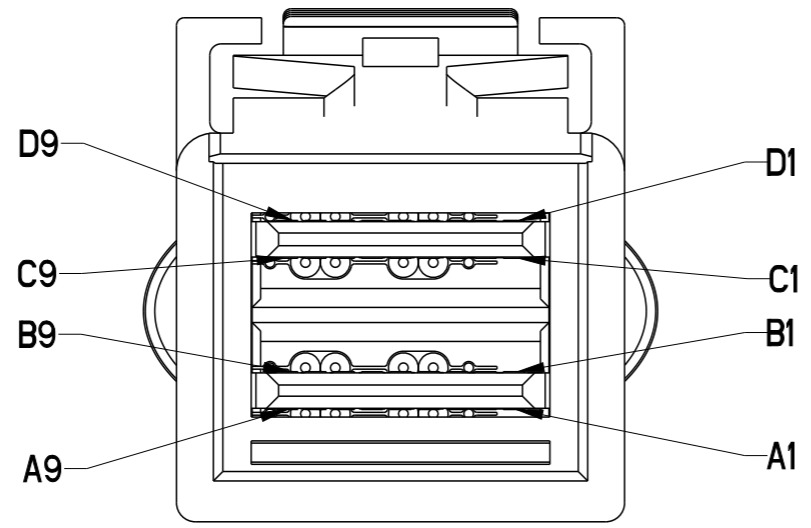
NOTE:  
 1. ALL CABLE PERFORMANCE COMPLIANCE SAS3.0  
 2. CABLE MORE THAN 1.0 METER COULD NOT MEET SAS3.0 INSERTION LOSS -11dB MAX.

Amphenol FCI

© 2016 AFCI

|               |                                       |      |            |            |                |                         |                        |               |       |     |   |
|---------------|---------------------------------------|------|------------|------------|----------------|-------------------------|------------------------|---------------|-------|-----|---|
| spec ref      | -                                     | dr   | David Lord | 2011/12/15 | projection     | mm                      | size                   | A3            | scale | 1:1 |   |
| tolerance std | ISO 406<br>ISO 1101                   | eng  | Ya Li      | 2018/01/16 |                |                         | ecn no                 | ELX-N-29059-1 |       |     |   |
|               | TOLERANCES UNLESS OTHERWISE SPECIFIED | chr  | -          | -          |                |                         | rel level              | Released      |       |     |   |
| surface       | linear                                | appr | Caspar Lin | 2018/01/24 | product family | -                       | rel level              | Released      |       |     |   |
|               | angular                               |      |            |            | Amphenol FCI   | mSAS HD INTERNAL (4i)   | dwg no                 | 10119217      |       | rev | F |
|               |                                       |      |            |            | www.fci.com    | CABLE ASSEMBLY- 12 Gb/s |                        |               |       |     |   |
|               |                                       |      |            |            | cat. no.       | -                       | Product - Customer Drw | sheet 2 of 4  |       |     |   |

| FCI PART NUMBER | DESCRIPTION                           | NOTES       |
|-----------------|---------------------------------------|-------------|
| 10119217-XXXXLF | CONTROLLER TO BACKPLANE CONFIGURATION | SEE TABLE 1 |



SCALE 5:1

| LEGEND |                                      |
|--------|--------------------------------------|
|        | HIGH-SPEED SERIAL DIFFERENTIAL PAIRS |
|        | SIGNAL RETURN                        |
|        | SIDEBAND SIGNAL                      |

| WIRING LIST (CONTROLLER TO BACKPLANE) |            |       |                    |            |
|---------------------------------------|------------|-------|--------------------|------------|
| END P1 (CONTROLLER)                   |            |       | END P2 (BACKPLANE) |            |
| POSITION                              | SYMBOL     |       | POSITION           | SYMBOL     |
| D9                                    | GROUND     | ----- | B9                 | GROUND     |
| D8                                    | Tx2-       |       | B8                 | Rx2-       |
| D7                                    | Tx2+       |       | B7                 | Rx2+       |
| D6                                    | GROUND     | ----- | B6                 | GROUND     |
| D5                                    | Tx0-       |       | B5                 | Rx0-       |
| D4                                    | Tx0+       |       | B4                 | Rx0+       |
| D3                                    | GROUND     | ----- | B3                 | GROUND     |
| D2                                    | SIDEBAND 6 |       | D1                 | SIDEBAND 6 |
| D1                                    | SIDEBAND 5 |       | D2                 | SIDEBAND 5 |
| C1                                    | SIDEBAND 4 |       | C2                 | SIDEBAND 4 |
| C2                                    | SIDEBAND 2 |       | C1                 | SIDEBAND 2 |
| C3                                    | GROUND     | ----- | A3                 | GROUND     |
| C4                                    | Tx1+       |       | A4                 | Rx1+       |
| C5                                    | Tx1-       |       | A5                 | Rx1-       |
| C6                                    | GROUND     | ----- | A6                 | GROUND     |
| C7                                    | Tx3+       |       | A7                 | Rx3+       |
| C8                                    | Tx3-       |       | A8                 | Rx3-       |
| C9                                    | GROUND     | ----- | A9                 | GROUND     |
| B9                                    | GROUND     | ----- | D9                 | GROUND     |
| B8                                    | Rx2-       |       | D8                 | Tx2-       |
| B7                                    | Rx2+       |       | D7                 | Tx2+       |
| B6                                    | GROUND     | ----- | D6                 | GROUND     |
| B5                                    | Rx0-       |       | D5                 | Tx0-       |
| B4                                    | Rx0+       |       | D4                 | Tx0+       |
| B3                                    | GROUND     | ----- | D3                 | GROUND     |
| B2                                    | SIDEBAND 1 |       | B1                 | SIDEBAND 1 |
| B1                                    | SIDEBAND 3 |       | B2                 | SIDEBAND 3 |
| A1                                    | SIDEBAND 7 |       | A2                 | SIDEBAND 7 |
| A2                                    | SIDEBAND 0 |       | A1                 | SIDEBAND 0 |
| A3                                    | GROUND     | ----- | C3                 | GROUND     |
| A4                                    | Rx1+       |       | C4                 | Tx1+       |
| A5                                    | Rx1-       |       | C5                 | Tx1-       |
| A6                                    | GROUND     | ----- | C6                 | GROUND     |
| A7                                    | Rx3+       |       | C7                 | Tx3+       |
| A8                                    | Rx3-       |       | C8                 | Tx3-       |
| A9                                    | GROUND     | ----- | C9                 | GROUND     |

|               |                                       |       |            |            |
|---------------|---------------------------------------|-------|------------|------------|
| spec ref      | -                                     | dr    | David Lord | 2011/12/15 |
| tolerance std | ISO 406<br>ISO 1101                   | eng   | Ya LI      | 2018/01/16 |
|               | TOLERANCES UNLESS OTHERWISE SPECIFIED | chr   | -          | -          |
|               |                                       | appr  | Caspar Lin | 2018/01/24 |
| surface       | linear                                | 0.X   | ±0.3       |            |
|               |                                       | 0.XX  | ±0.10      |            |
|               |                                       | 0.XXX | ±0.005     |            |
|               | angular                               | 0°    | ±2°        |            |

|                |                         |           |               |                        |              |
|----------------|-------------------------|-----------|---------------|------------------------|--------------|
| projection     | mm                      | size      | A3            | scale                  | 2:1          |
|                |                         | ecn no    | ELX-N-29059-1 |                        |              |
| product family | -                       | rel level | Released      |                        |              |
| Amphenol FCI   | mSAS HD INTERNAL (4i)   | dwg no    | 10119217      | rev                    | F            |
| www.fci.com    | CABLE ASSEMBLY- 12 Gb/s | cat. no.  | -             | Product - Customer Drw | sheet 3 of 4 |

Amphenol FCI

© 2016 AFCI

| FCI PART NUMBER | DESCRIPTION                           | NOTES       |
|-----------------|---------------------------------------|-------------|
| 10119217-XXXXLF | CONTROLLER TO BACKPLANE CONFIGURATION | SEE TABLE 1 |

NOTES:

- MATERIAL:  
HOUSINGS: MODIFIED POLYPHENYLENE ETHER  
PADDLE CARD: PRINTED CIRCUIT SUBSTRATE  
HEAT SHRINK TUBE: POLYOLEFIN  
EPOXY LOCTITE
- THIS PRODUCT MEETS THE RESTRICTION OF HAZARDOUS SUBSTANCES IN ELECTRICAL AND ELECTRONIC EQUIPMENT (RoHS) DIRECTIVE (2002/95/EC)
- THIS DIMENSION IS A FINISHED PRODUCT LENGTH.
- UNLESS OTHERWISE SPECIFIED ASSEMBLED LENGTH TOLERANCE IS TO BE:  
"DIM L" < 1 METER = ±25mm  
"DIM L" 1 METER TO 10 METERS = ± 2% OF "DIM L"
- UNLESS OTHERWISE SPECIFIED LABEL POSITION IS TO BE 95mm FROM REAR OF PI CONNECTOR.  
LABEL DETAILS:  
MANUFACTURER CODE OR NAME COUNTRY OF ORIGIN  
CUSTOMER P/N OR FCI P/N  
REVISION  
DATE CODE (YYYY/MM/DD FORMAT) - SERIAL NUMBER  
  
FONT SHALL BE CLEARLY VISIBLE AND BLACK IN COLOR.
- ALL CABLE ASSEMBLIES SHALL BE 100% TESTED FOR CONTINUITY AS DEFINED IN WIRING LIST.
- ALL CABLE ASSEMBLIES SHALL BE 100% HI-POT TESTED BY APPLYING 300V DC FOR A MINIMUM OF 10ms.
- IMPEDANCE: 100Ω DIFFERENTIAL.
- OTHER TESTING PERFORMED AS REQUIRED BY PRODUCT SPECIFICATION: GS-12-650.
- PACKAGE AND LABEL CABLE ASSEMBLIES PER GS-14-1272.
- A "△" SYMBOL WILL BE NEXT TO ANY DIMENSION, VIEW, OR NOTE WHICH HAS BEEN MODIFIED WITH THE CURRENT DRAWING REVISION. THE CURRENT REVISION WILL BE SHOWN IN THE SYMBOL.
- "HLF" PRODUCT NUMBERS DESIGNATE THE USE OF HALOGEN FREE RAW CABLE.
- HALOGEN FREE RAW CABLE CAN BE USED AS A SUBSTITUTE ON NON-HF PRODUCT NUMBERS.
- PART NUMBER/SUPPLIER SUBSTITUTION IS NOT ALLOWED.
- THIS PRODUCT CONFORMS TO THE MECHANICAL DIMENSIONING AND ELECTRICAL REQUIREMENTS OF THE SFF-8643 SPECIFICATION.

Amphenol FCI  
© 2016 AFCI

|                                       |  |              |            |            |  |     |              |               |       |     |   |
|---------------------------------------|--|--------------|------------|------------|--|-----|--------------|---------------|-------|-----|---|
| spec ref                              | -                                      | dr           | David Lord | 2011/12/15 | projection                                       | mm  | size         | A3            | scale | 2:1 |   |
| tolerance std                         | ISO 406<br>ISO 1101                    | eng          | Ya LI      | 2018/01/16 |  | ← → | ecn no       | ELX-N-29059-1 |       |     |   |
| TOLERANCES UNLESS OTHERWISE SPECIFIED |  | chr          | -          | -          |  |     | rel level    | Released      |       |     |   |
| surface                               | linear                                 | appr         | Caspar Lin | 2018/01/24 | product family                                   | -   | rel level    | Released      |       |     |   |
|                                       | angular                                | Amphenol FCI |            | cat. no.   | mSAS HD INTERNAL (4i)<br>CABLE ASSEMBLY- 12 Gb/s |     | dwg no       | 10119217      |       | rev | F |
| ISO 1302                              | 0.X ±0.3<br>0.XX ±0.10<br>0.XXX ±0.005 | www.fci.com  |            | -          | Product - Customer Drw                           |     | sheet 4 of 4 |               |       |     |   |