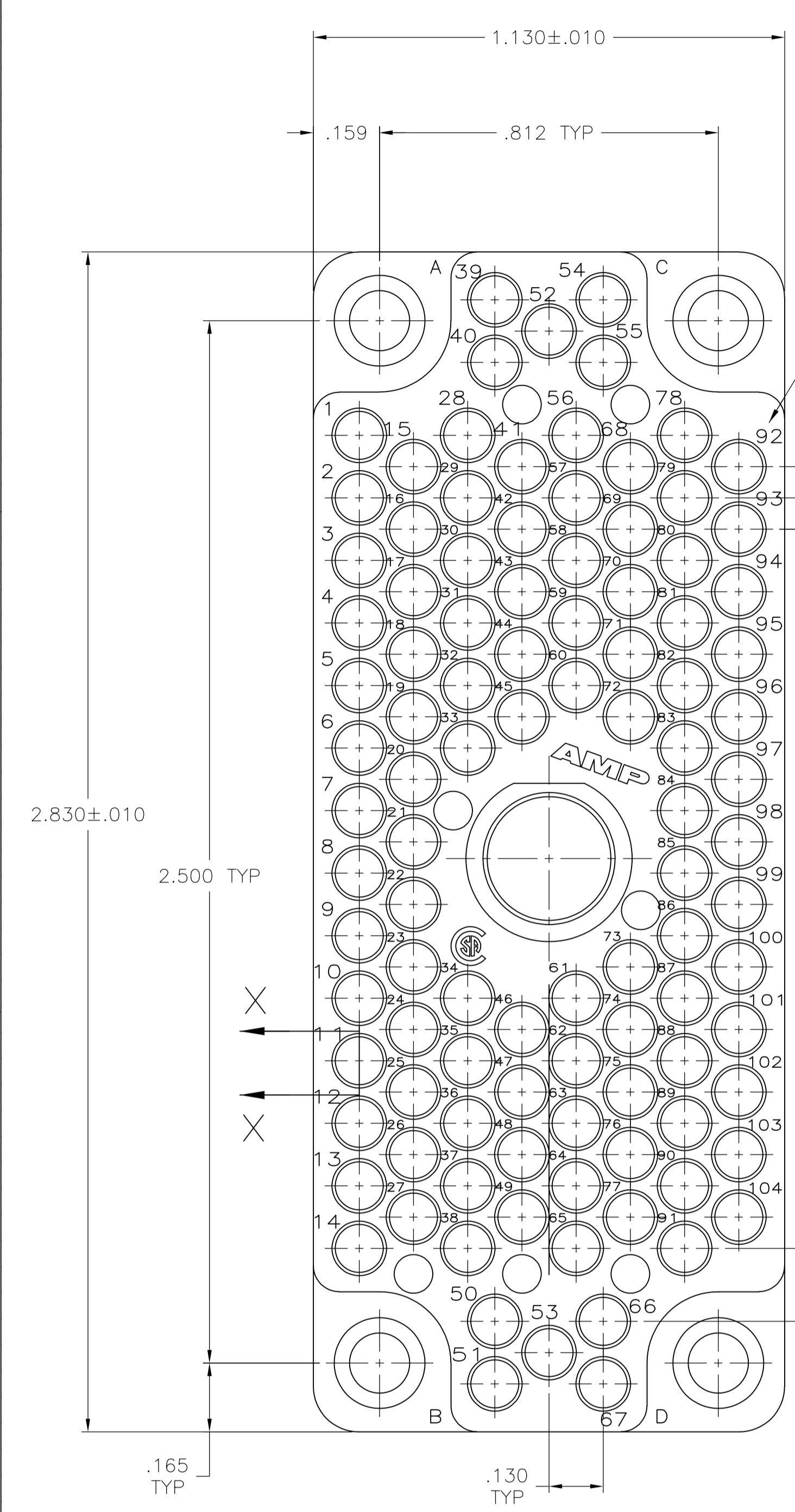
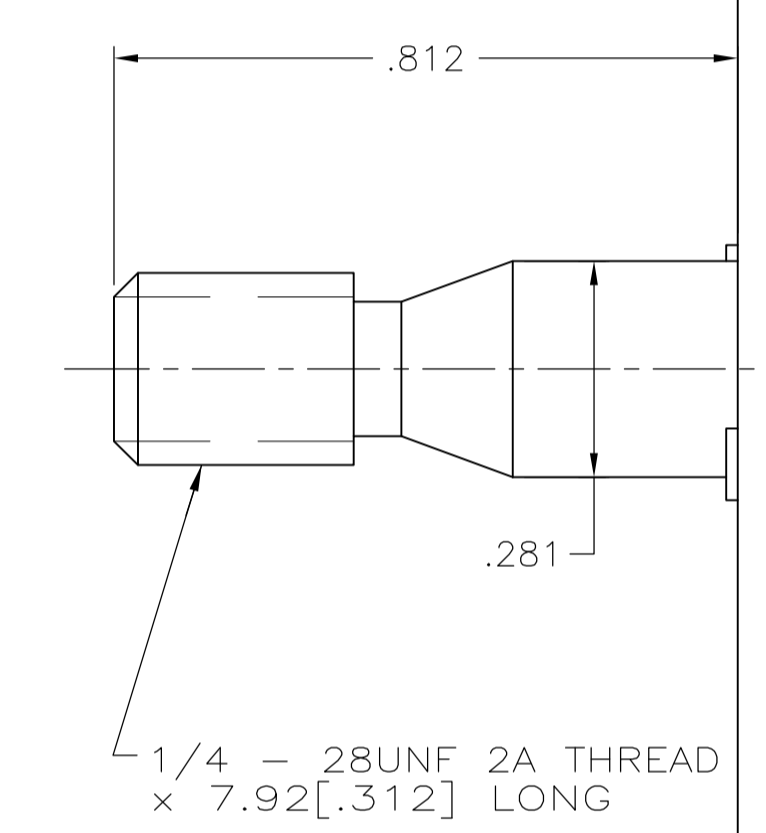


REVISIONS				
P	LTR	DESCRIPTION	DATE	APP'D
AN3	REVISED PER	ECO-16-004000	28SEP2016	NK MZ

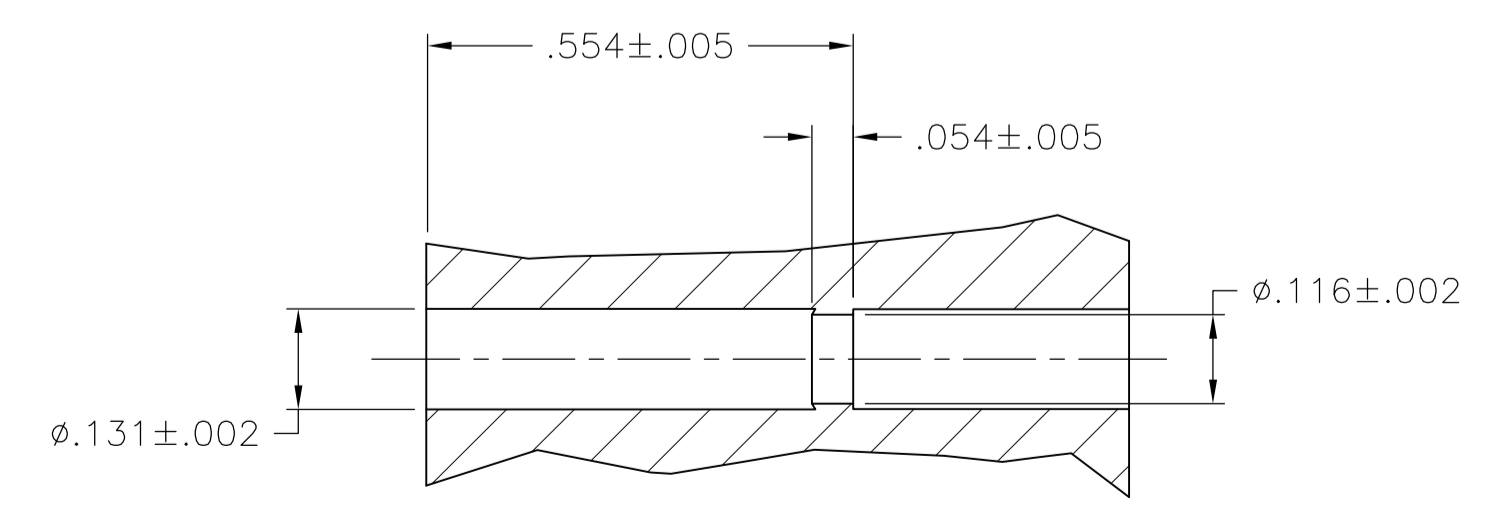


MATING FACE
MOLDED CHARACTERS BOTH SIDES

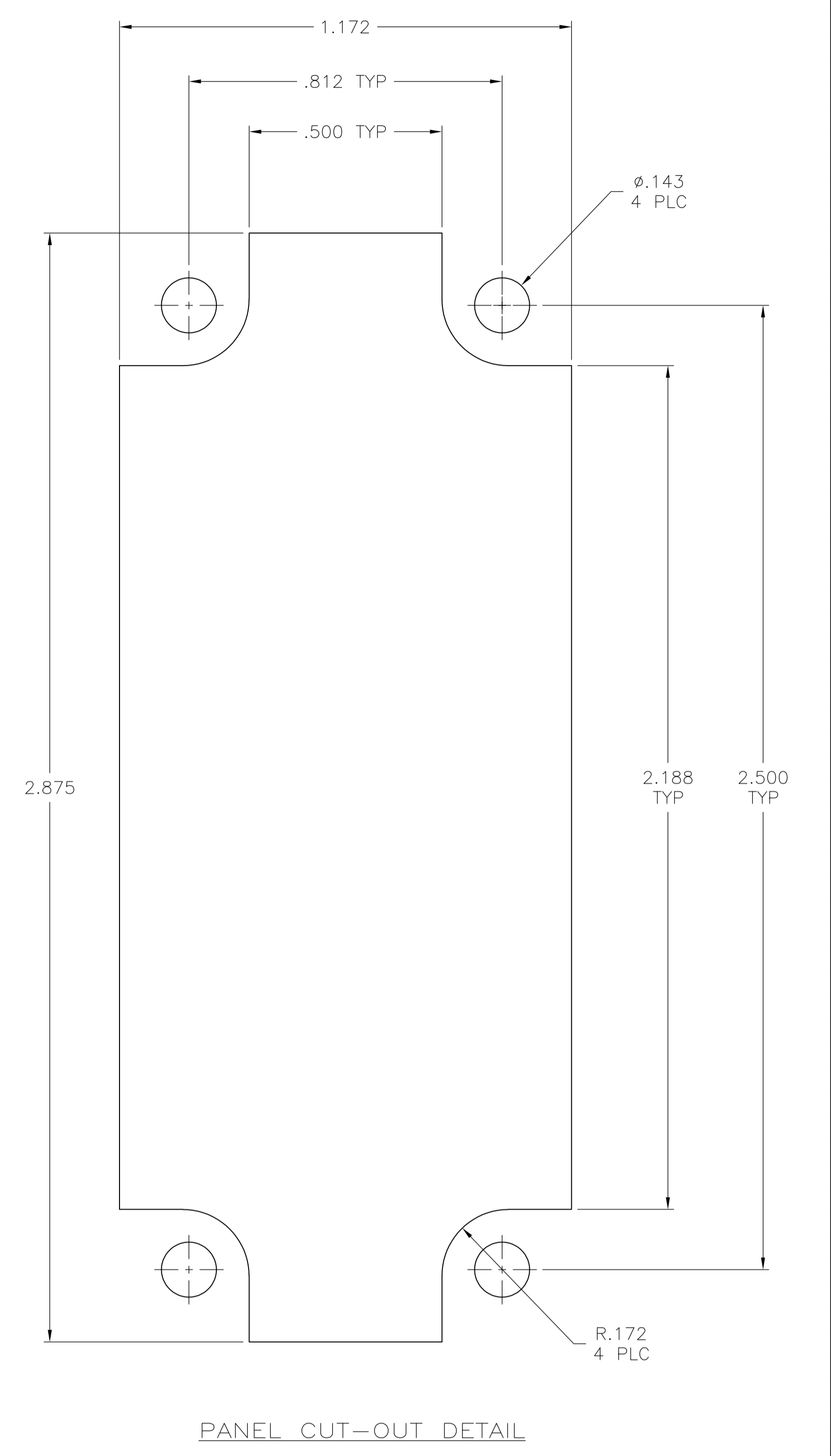
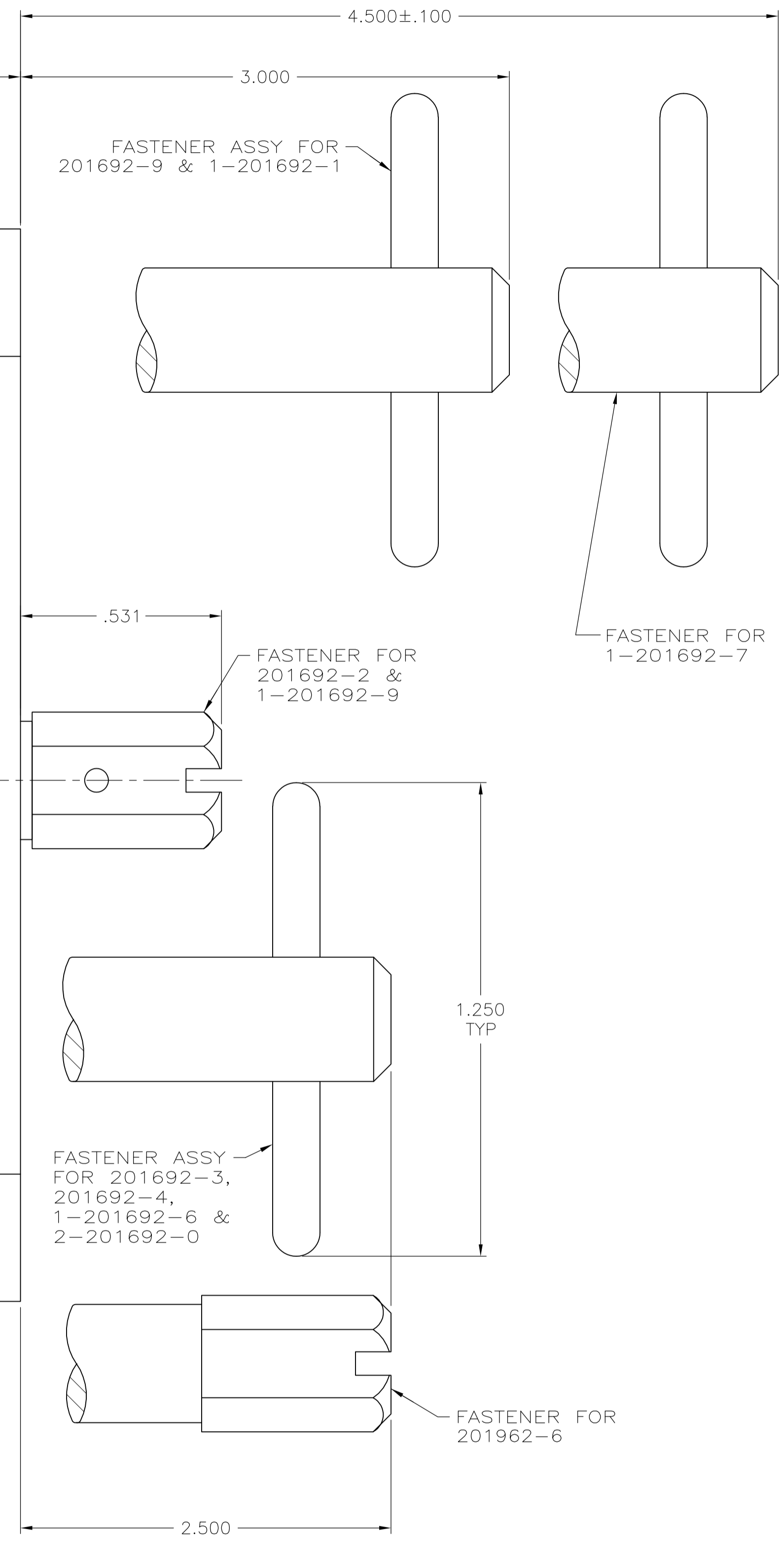
.150 TYP
.075 TYP



AMP, PART NUMBER & DATE CODE IN THIS AREA



- 1 PHENOLIC PER MIL-M-14F, TYPE MFH, BLACK.
- 2 DIALLYL PHTHALATE PER MIL-M-14F, TYPE SDG-F, BLUE.
- 3 VALOX 420 SEO.
- 4 ACCOMMODATES TYPE II OR TYPE III SIZE #16 SOCKET CONTACTS.
- 5 STAINLESS STEEL.
- 6 FOR MATING BLOCK SEE CUSTOMER DRAWING 201532.



OBSOLETE	REV	PART NUMBER
	1	-2-201692-0
	3	1-201692-9
	1	1-201692-7
	3	1-201692-6
	1	1-201692-1
	2	201692-9
	1	201692-6
	1	201692-4
	2	201692-3
	1	201692-2
BLOCK MATERIAL	PART NUMBER	

THIS DRAWING IS A CONTROLLED DOCUMENT.

DIMENSIONS: INCHES	TOLERANCES UNLESS OTHERWISE SPECIFIED:	DWG: C. REIFSNYDER 14 DEC 95	CHK: C. DORWART 19 DEC 95	APP'D: G.A. STEINHAUER 03 JAN 96	NAME: PLUG BLOCK ASSEMBLY, 104 POSITION, RECTANGULAR M SERIES
0 PLC ± -	1 PLC ± -	2 PLC ± 0.38[.015]	3 PLC ± -	4 PLC ± -	ANGLES ± -
MATERIAL: BLOCK: SEE TABLE HARDWARE & INSERTS	FINISH: -	WEIGHT: A1	CAGE CODE: 00779	DRAWING NO: C=201692	RESTRICTED TO: -
CUSTOMER DRAWING		SCALE: 4:1	SHEET: 1 OF 1	REV: AN3	

STE TE Connectivity