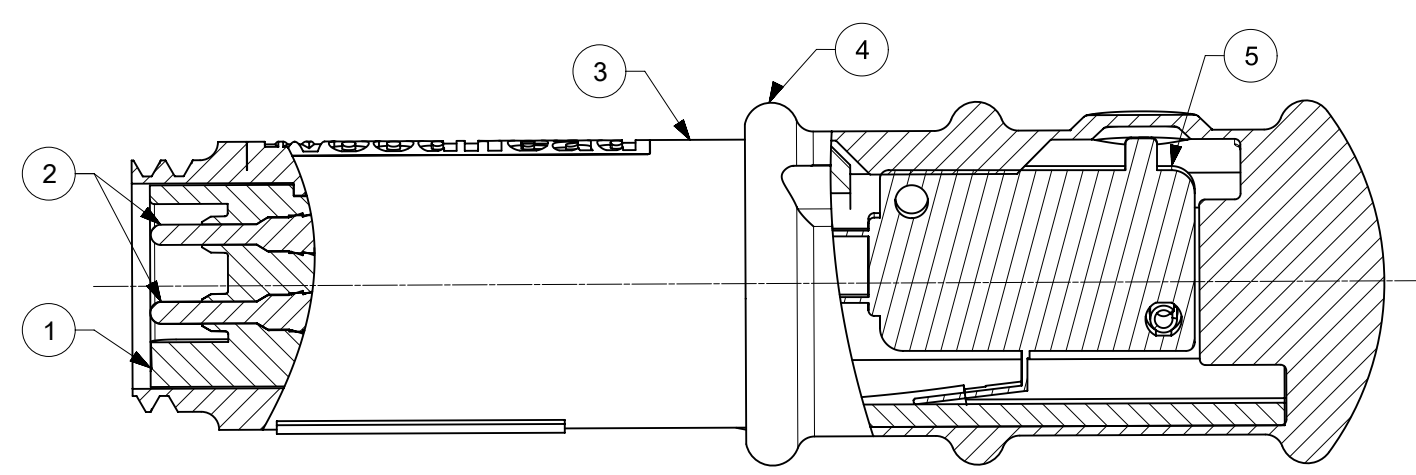
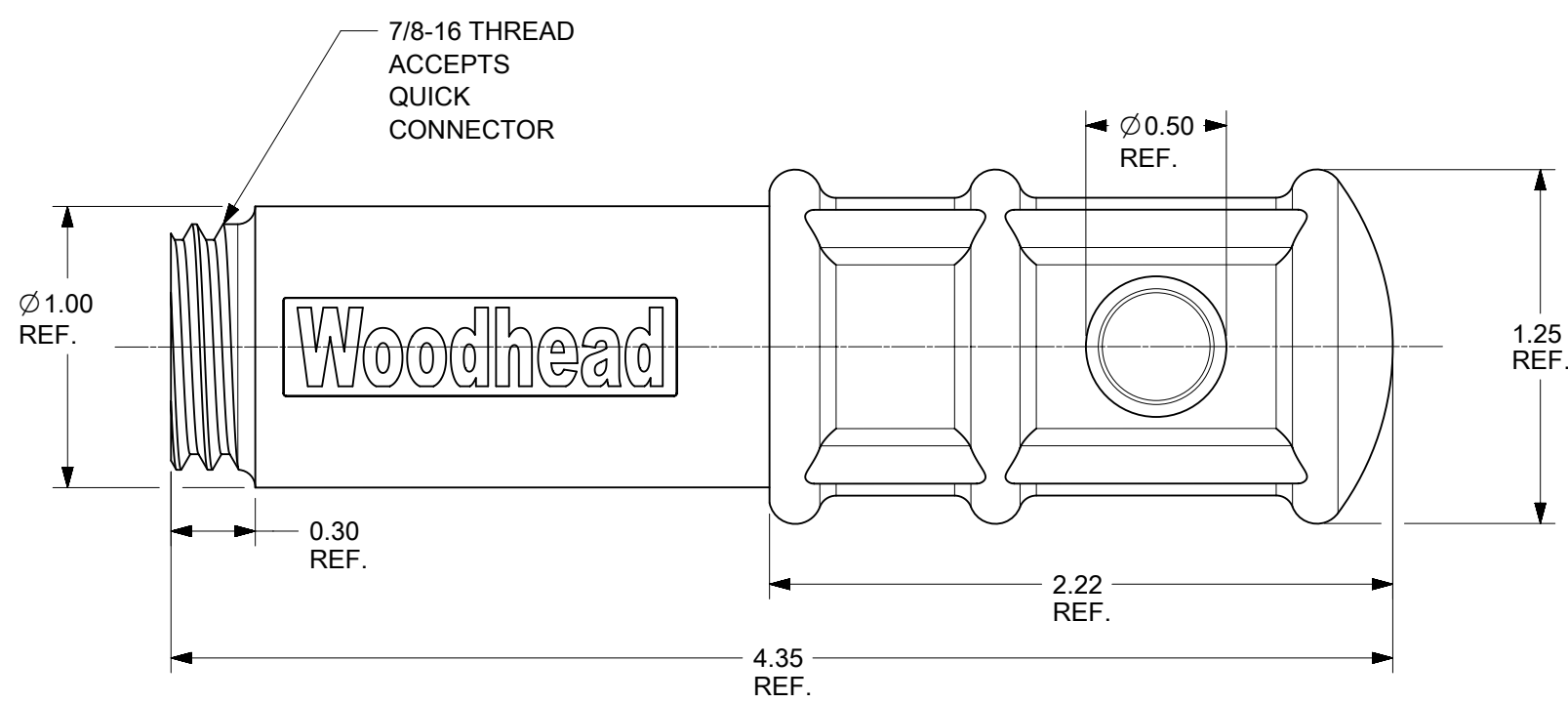
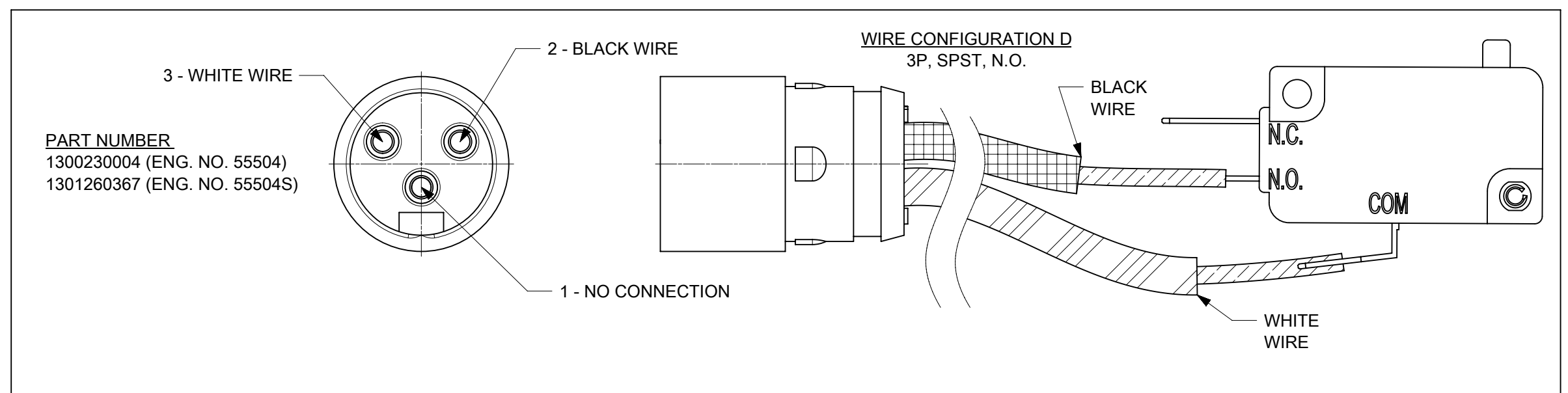
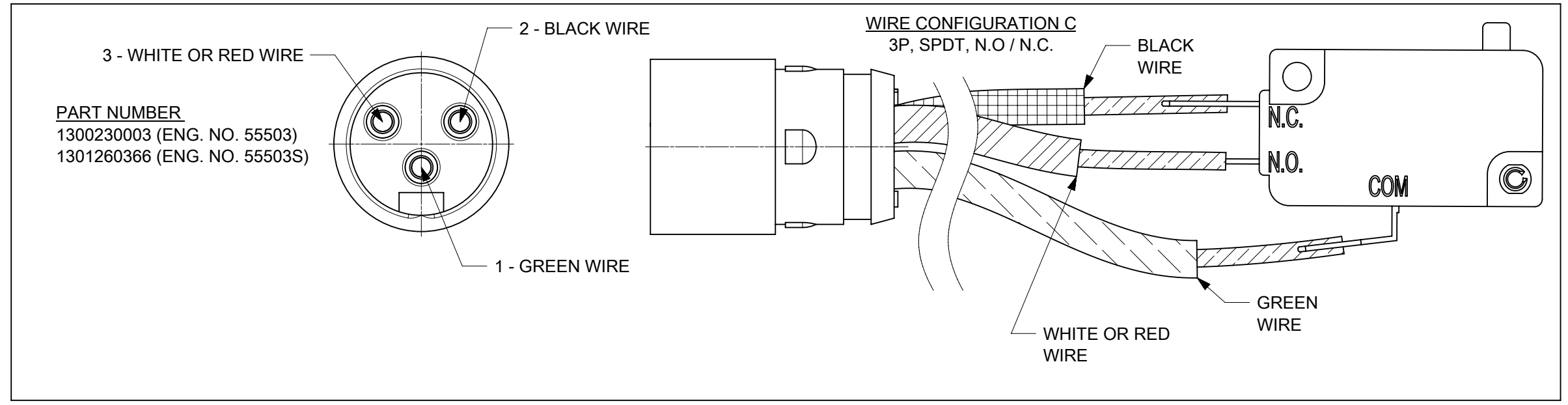
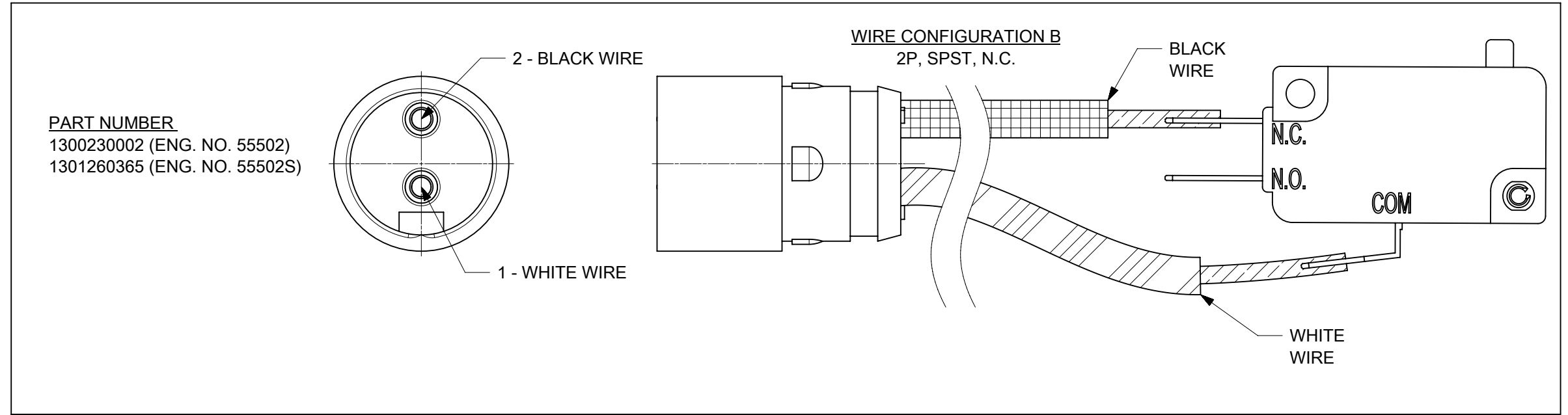
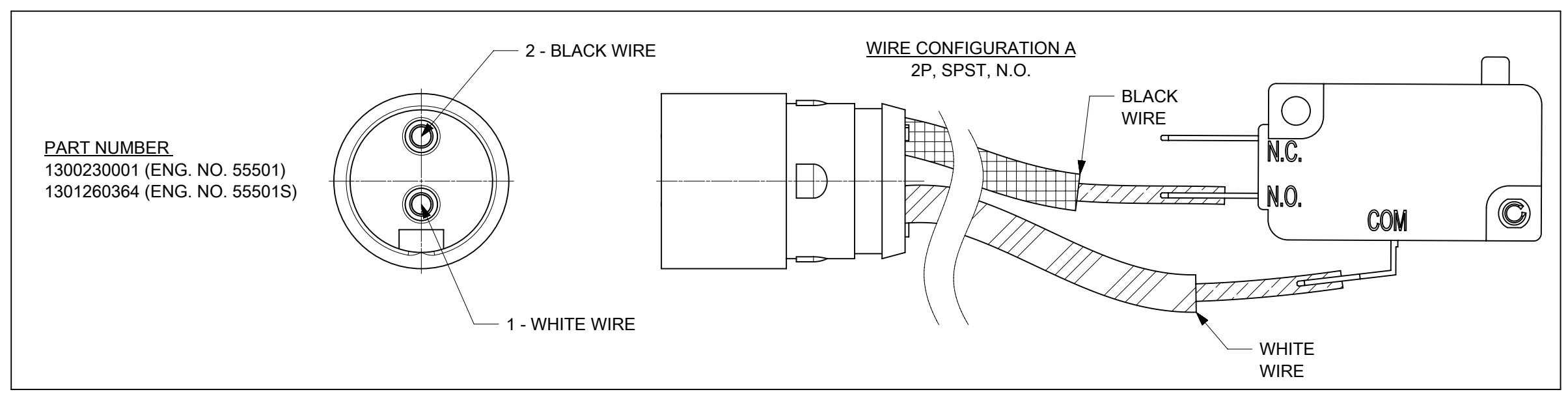


PART NUMBER	ENG. NUMBER	DESCRIPTION	SWITCH BOOT MATERIAL	WIRE CONFIGURATION
1300230001	55501	2P, SPST - NORMALLY OPEN	NBR/PVC	A
1300230002	55502	2P, SPST - NORMALLY CLOSED		B
1300230003	55503	3P, SPDT - NORMALLY OPEN / NORMALLY CLOSED		C
1300230004	55504	3P, SPST - NORMALLY OPEN		D
1301260364	55501S	2P, SPST - NORMALLY OPEN	SILICONE	A
1301260365	55502S	2P, SPST - NORMALLY CLOSED		B
1301260366	55503S	3P, SPDT - NORMALLY OPEN / NORMALLY CLOSED		C
1301260367	55504S	3P, SPST - NORMALLY OPEN		D



ITEM	DESCRIPTION	MATERIAL	FINISH
1	PIN INSERT	PVC	YELLOW
2	CONTACT PIN	COPPER ALLOY	GOLD PLATED
3	SWITCH BODY	NYLON	YELLOW
4	SWITCH BOOT	RUBBER (SEE TABLE)	YELLOW
5	SWITCH	-	-

NOTES:  
 1. MATERIAL: SEE TABLE  
 2. FINISHES: SEE TABLE  
 3. ELECTRICAL SPECIFICATIONS  
 VOLTAGE RATING: 125/250VAC  
 CURRENT RATING: 10 AMPS (AC)  
 HORSEPOWER RATING: 1/2 HP  
 4. OPERATING TEMP. RANGE: -20 °C to 85 °C  
 5. ASSEMBLY IS RoHS COMPLIANT



THIS DRAWING CONTAINS INFORMATION THAT IS PROPRIETARY TO MOLEX ELECTRONIC TECHNOLOGIES, LLC AND SHOULD NOT BE USED WITHOUT WRITTEN PERMISSION

DIMENSION UNITS	SCALE	CURRENT REV	DESC: REDRAWN IN NX.	<b>molex</b>							
INCH	2:1	UPDATE SILICONE PART NUMBERS.									
GENERAL TOLERANCES (UNLESS SPECIFIED)				WOODHEAD ENABLING SWITCH							
ANGULAR TOL	± 0.5°	EC NO:	618538	PRODUCT CUSTOMER DRAWING							
4 PLACES	±	DRWN:	WLEUNG	2019/06/19	DOCUMENT NUMBER			DOC TYPE	DOC PART	REVISION	
3 PLACES	±	CHK'D:	DNGUYEN62	2019/07/15	SD-130023-005			PSD	001	B1	
2 PLACES	± 0.05	APPR:	JFMURPHY	2019/08/19	MATERIAL NUMBER			CUSTOMER			
1 PLACE	± 0.1	INITIAL REVISION:		SERIES			SHEET NUMBER				
0 PLACES	±	DRWN:	RSTONE	2013/01/22	SEE CHART			GENERAL MARKET			
DRAFT WHERE APPLICABLE MUST REMAIN WITHIN DIMENSIONS		APPR:	JFMURPHY	2013/03/01	C-SIZE			130023			
THIRD ANGLE PROJECTION		DRAWING		SERIES		MATERIAL NUMBER			CUSTOMER		
C-SIZE		130023		SEE CHART			GENERAL MARKET			1 OF 1	