

SAFETY ORGANIZATIONS

THIS FILTER HAS NOT YET BEEN FORMALLY RECOGNIZED, CERTIFIED OR APPROVED BY THE LISTED AGENCY. THEREFORE, ALL TEST/REQUIREMENTS SPECIFIED IN THE LATEST REVISION OF THE FOLLOWING AGENCY STANDARDS HAVE NOT YET BEEN MET:

- UL RECOGNIZED: UL 1283
- CSA CERTIFIED: CSA 22.2, # 8
- VDE APPROVED: VDE 565-3

OPERATING SPECIFICATIONS

LINE CURRENT/VOLTAGE: 15 AMP, 100 VDC

LINE FREQUENCY: DC

MAXIMUM LEAKAGE CURRENT, EACH LINE TO GROUND: 0.01 mA @ 100VDC

OPERATING AMBIENT TEMP. RANGE: -10°C TO +55°C @ RATED CURRENT, I_r .

IN AN AMBIENT, T_0 , HIGHER THAN 40°C, THE MAXIMUM OPERATING CURRENT, I_0 , IS AS FOLLOWS:

$$I_0 = I_r \sqrt{\frac{90 - T_0}{35}}$$

RELIABILITY SPECIFICATIONS:

- STORAGE TEMPERATURE: -40°C TO +85°C
- HUMIDITY: 21 DAYS @ 40°C 95% RH.
- CURRENT OVERLOAD TEST: 6 TIMES I_r FOR 8 SECONDS

TEST SPECIFICATIONS: ENGINEERING SAMPLE 4

- INDUCTANCE: 24 μ H NOMINAL
- CAPACITANCE: (MEASURED @ 1KHz, 0.250VAC MAX., 25°C±1°C)
 - LINE TO GROUND: (0.005 μ F ±20%)
 - LINE TO LINE: TBD (0.100 μ F ±20%)
- DISCHARGE RESISTOR: 3.3 M Ω
- L/G AND L/L I.R.
- NO DISCHARGE RESISTOR: 6000M Ω (MIN.) @ 100VDC, 20°C AND 50% RH

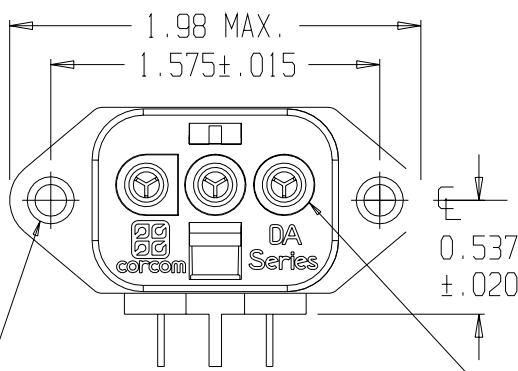
RECOMMENDED RECEIVING INSPECTION HIPOT:

- LINE TO GROUND: 2250VDC FOR 1 MINUTE
- LINE TO LINE: 1450VDC FOR 1 MINUTE

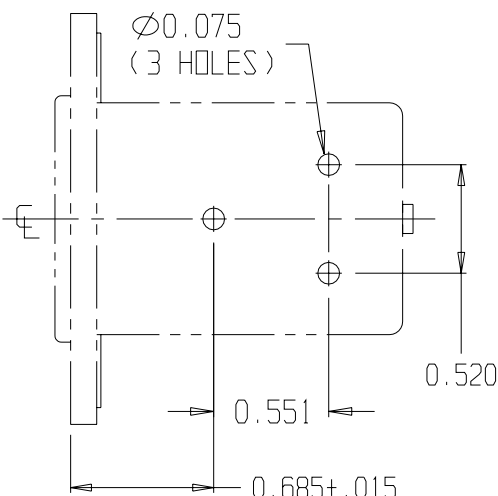
FILTER APPROVAL:

THE BEST WAY TO SELECT AND QUALIFY A FILTER IS FOR YOUR ENGINEERING TO TEST THE UNIT IN YOUR EQUIPMENT.

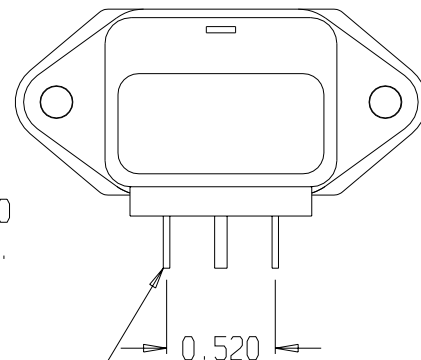
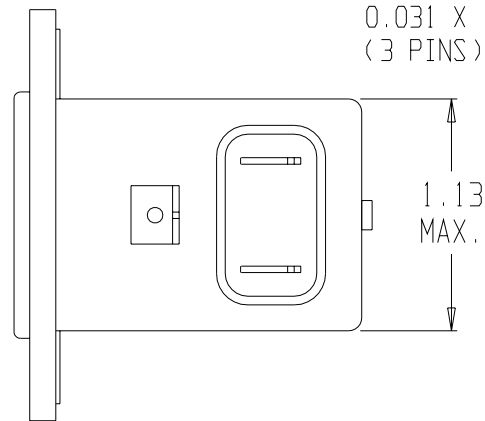
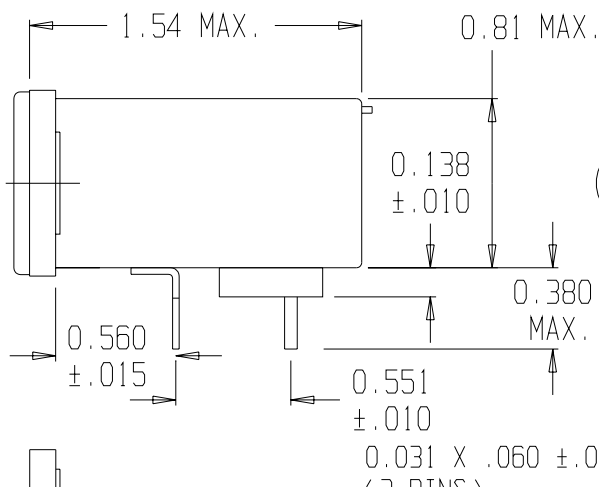
CATALOG # 15DAFP		
ECN #	APPRVD.	DATE
16216	ELC	5/2/02



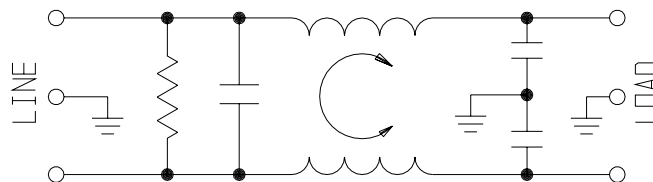
MATES WITH MOLEX HCS-125: 03-12-1026 WITH FEMALE 18121601/18121602 TERMINALS.



PC LAYOUT



PANEL CUTOUT (BACK MOUNT) TOLERANCE ±.005



50 Ω - 50 Ω (MINIMUM) INSERTION LOSS	
FREQUENCY MHz	COMMON dB
.05	-
.10	-
.15	-
.50	3
1	5
3	13
5	19
10	25
30	29
100	10
200	14
FREQUENCY MHz	DIFF. dB
.05	-
.10	-
.15	2
.50	17
1	19
3	29
5	33
10	37
30	37
100	31
200	28

THIRD ANGLE PROJECTION

UNLESS OTHERWISE SPECIFIED, TOLERANCE TO BE ±.025 MATERIAL & FINISH: AS SUPPLIED

This document is proprietary to CORCOM INC. and is not to be reproduced nor used for manufacturing purposes except on CORCOM'S prior written consent.



DC LINE FILTER

CAD FILE: G:\CD\15DAFP01	DATE: 8/2/01	CATALOG NO.	REV.
SCALE: NTS	DRG: ELC	15DAFP	1