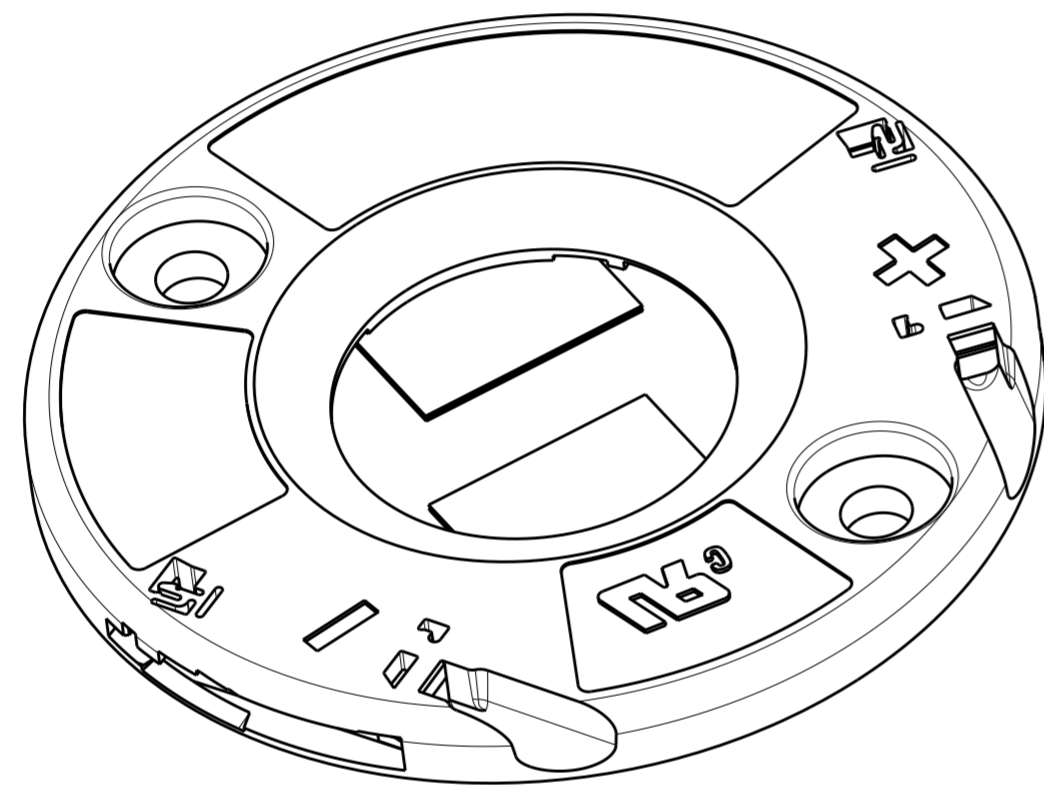


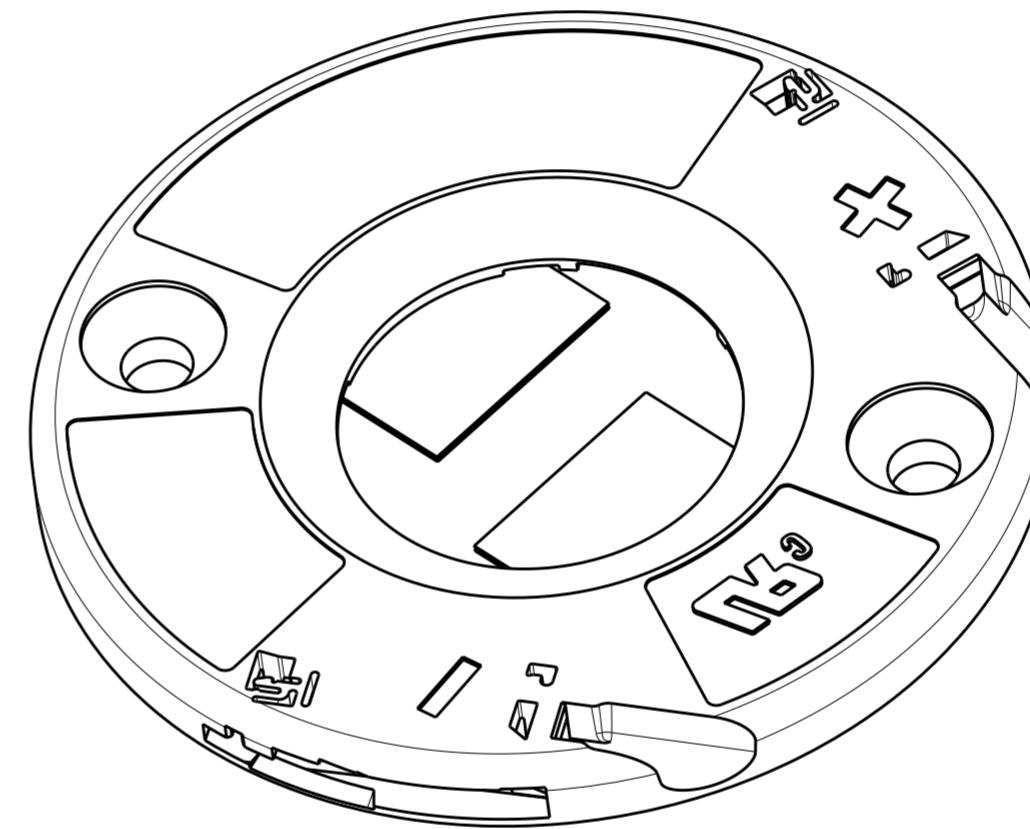
THIS DRAWING IS UNPUBLISHED. RELEASED FOR PUBLICATION 20
 © COPYRIGHT 20 BY - ALL RIGHTS RESERVED.

REVISIONS					
P	LTR	DESCRIPTION	DATE	DWN	APVD
	A	ECR-18-007396	16MAY2018	GCM	JL
	A1	ECR-18-012126	21AUG2018	CD	JL
	A2	ECR-18-020111	03JAN2019	SR	DD
	B	ECR-19-004750	13APR2019	SR	JL

- 1 MATERIALS:
 HOLDER: PBT ,COLOR: NATURAL;
 CONTACTS: COPPER ALLOY, Au/Ni PLATING (LED INTERFACE)
2. FOR SOLID, FUSED AND STRANDED CONDUCTOR WIRE TYPES AWG 18 AND 20
3. WIRE STRIP LENGTH: 11-12mm
4. MAX. WIRE INSULATION OUTER DIA: $\varnothing 2,3\text{mm}$
5. RECOMMENDED SCREW TORQUE: SEE APPLICATION SPECIFICATION 114-133107.
6. SCREWS TO BE USED: M3, #4-40
7. LED MATING ON 2 CORNERS WITH ADHESIVE TAPE 3M 9472LE 300LSE.
- 8 LAYOUTS ON SHEET 3
9. FOR COB-TO-HOLDER CROSS REFERENCE, REFER TO APPLICATION SPECIFICATION 114-32208



PAN HEAD
SCALE 3:1



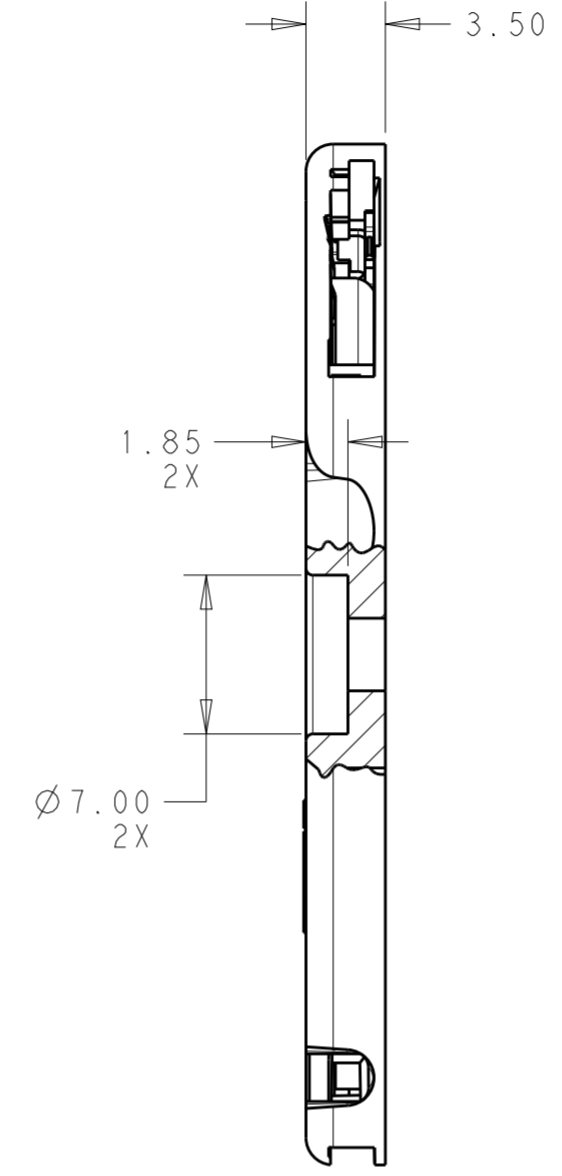
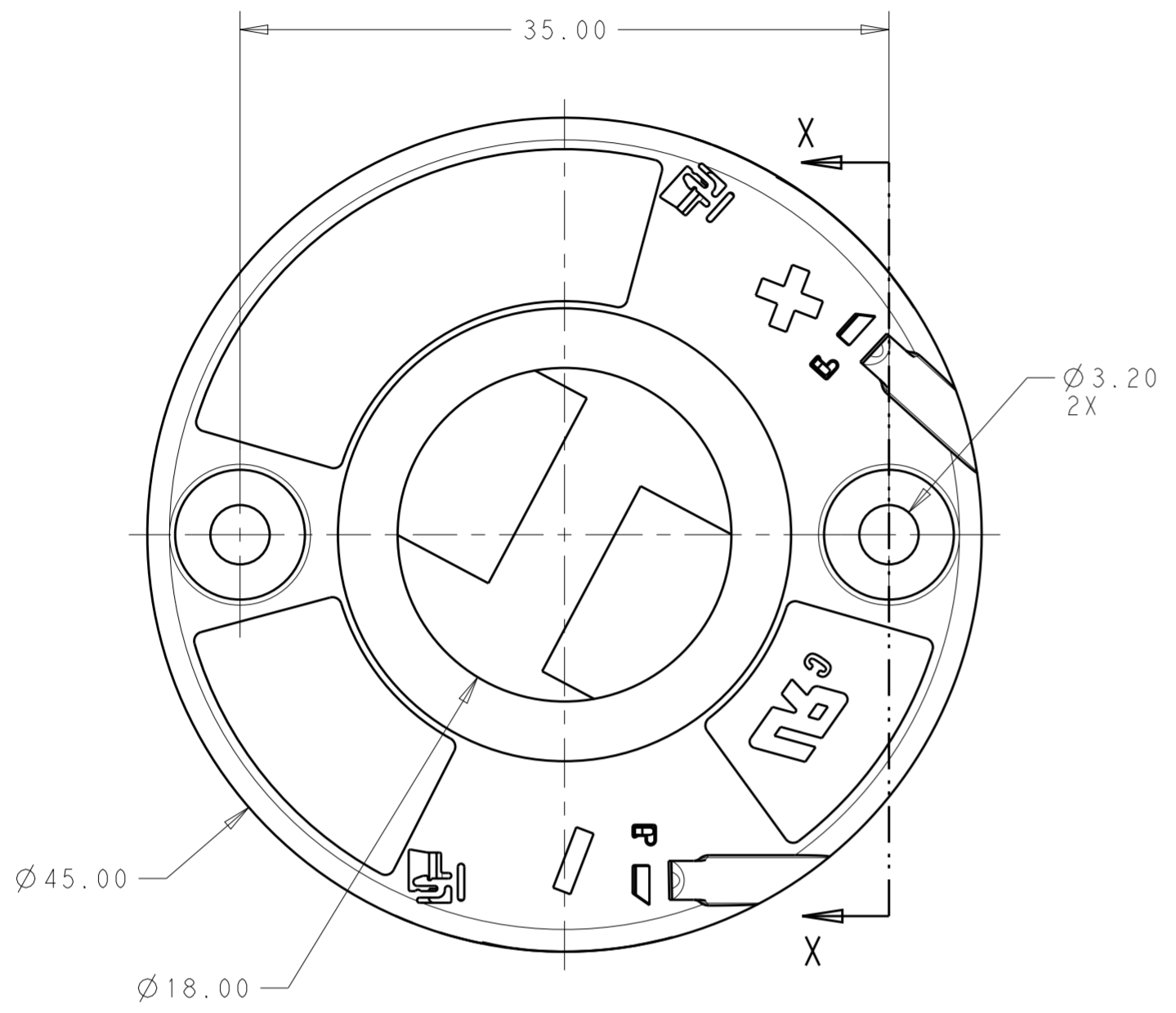
COUNTERSINK
SCALE 3:1

C	COUNTERSINK	3-2325811-1
C	PAN HEAD	2-2325811-1
B	COUNTERSINK	1-2325811-3
B	PAN HEAD	2325811-3
A	COUNTERSINK	1-2325811-2
A	PAN HEAD	2325811-2
LED LAYOUT 8		DESCRIPTION PART NO.

THIS DRAWING IS A CONTROLLED DOCUMENT.		DWN C. DAILY 20DEC2017	STE TE Connectivity	
		CHK J. LATORRE 20DEC2017		
DIMENSIONS: mm		APVD -	NAME LED HOLDER, 20x24 LUMAWISE Z45 LED	
TOLERANCES UNLESS OTHERWISE SPECIFIED: 0 PLC ± 1 PLC ±0.2 2 PLC ±0.13 3 PLC ± 4 PLC ± ANGLES ±2° FINISH		PRODUCT SPEC 108-133062	RESTRICTED TO -	
MATERIAL		APPLICATION SPEC 114-133107	SIZE A2	CAGE CODE 00779
1		WEIGHT -	DRAWING NO C-2325811	SCALE 2:1
		CUSTOMER DRAWING	SHEET 1	OF 3
			REV B	

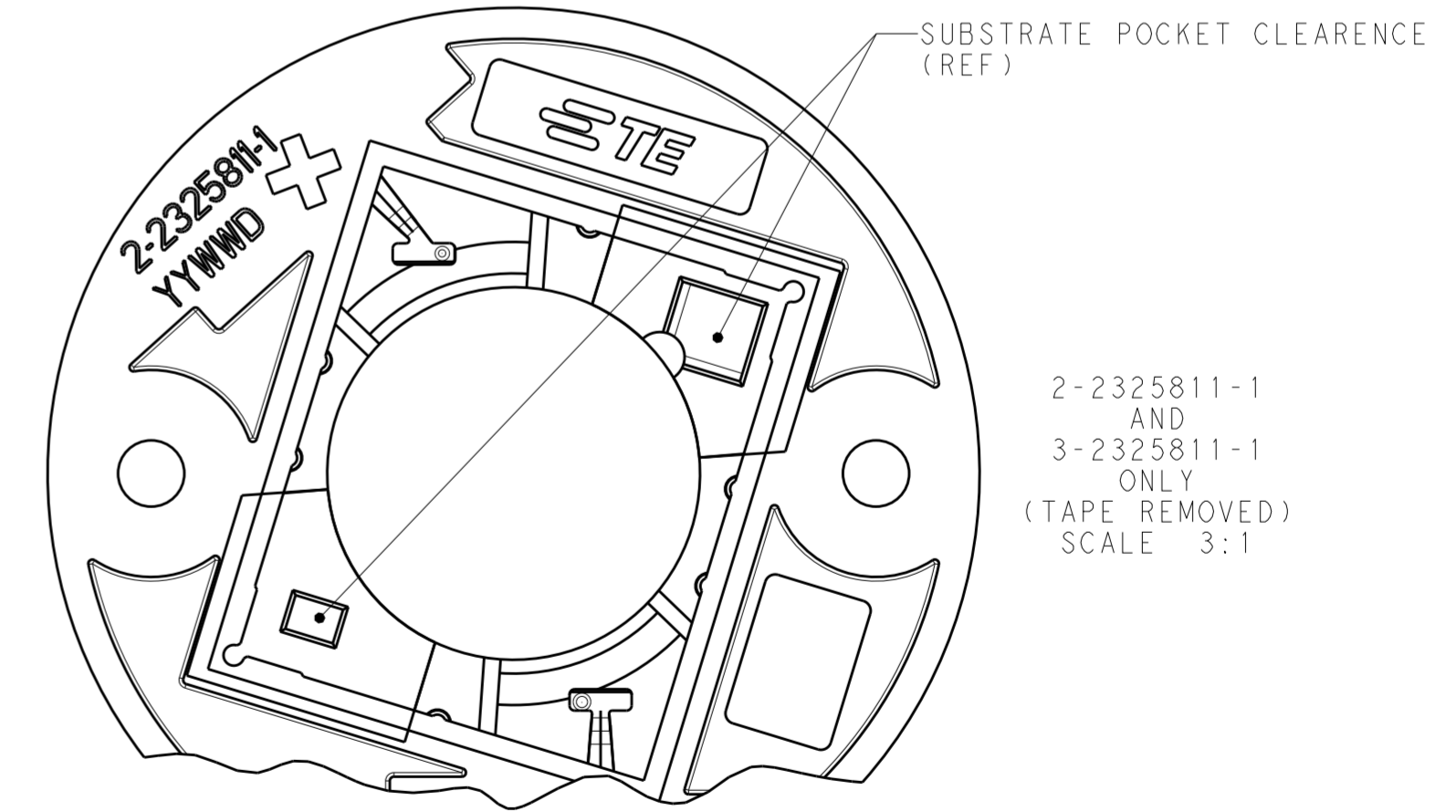
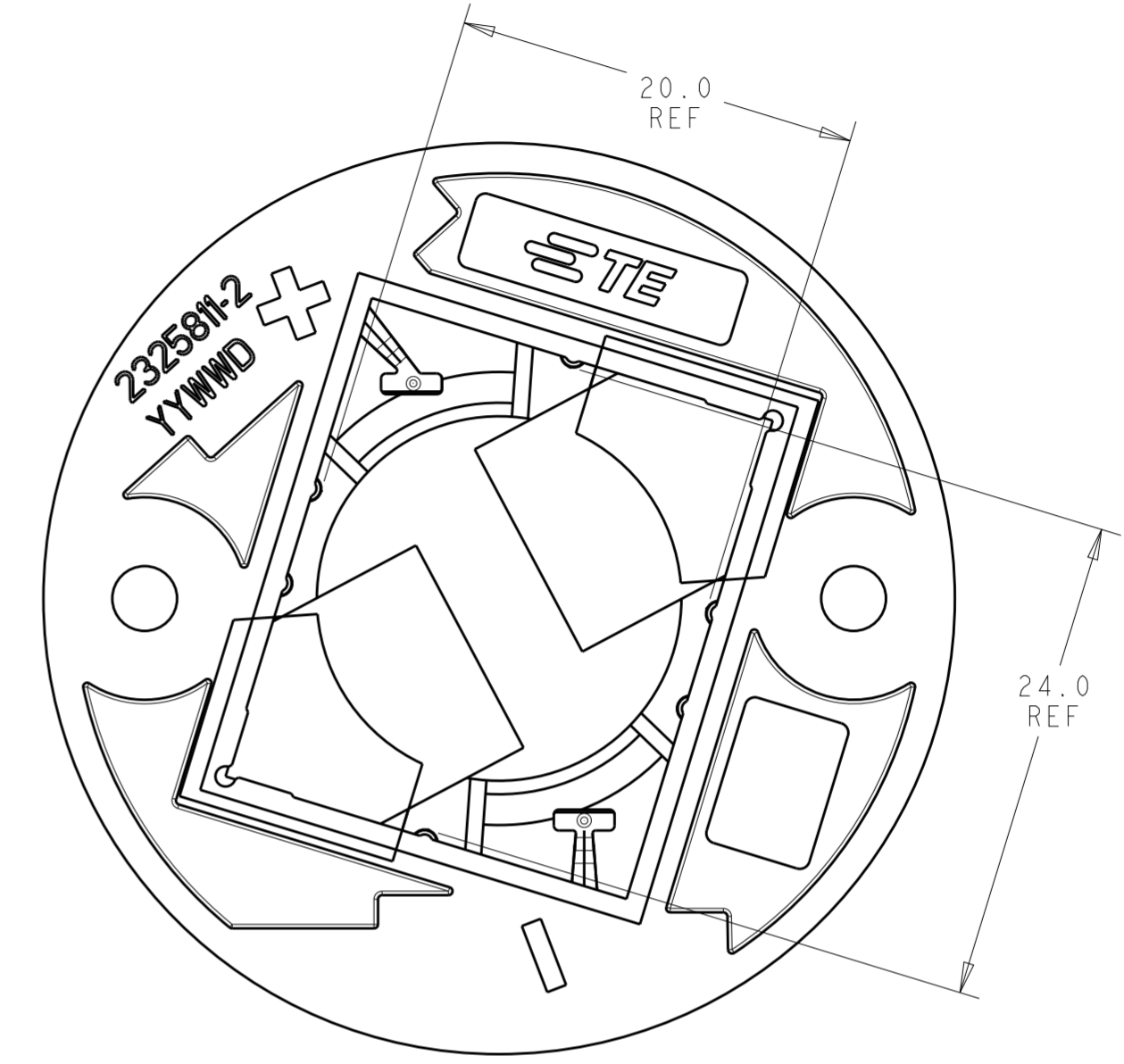
THIS DRAWING IS UNPUBLISHED. RELEASED FOR PUBLICATION 20
 © COPYRIGHT 20 BY - ALL RIGHTS RESERVED.

REVISIONS				
P	LTR	DESCRIPTION	DATE	APVD
-	-	SEE SHEET 1	-	-

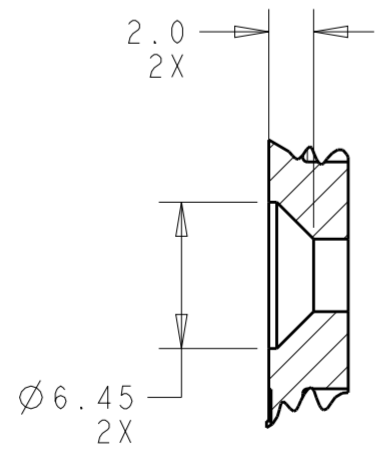


SECTION X - X

2325811-2 SHOWN
SCALE 3:1



2-2325811-1
AND
3-2325811-1
ONLY
(TAPE REMOVED)
SCALE 3:1

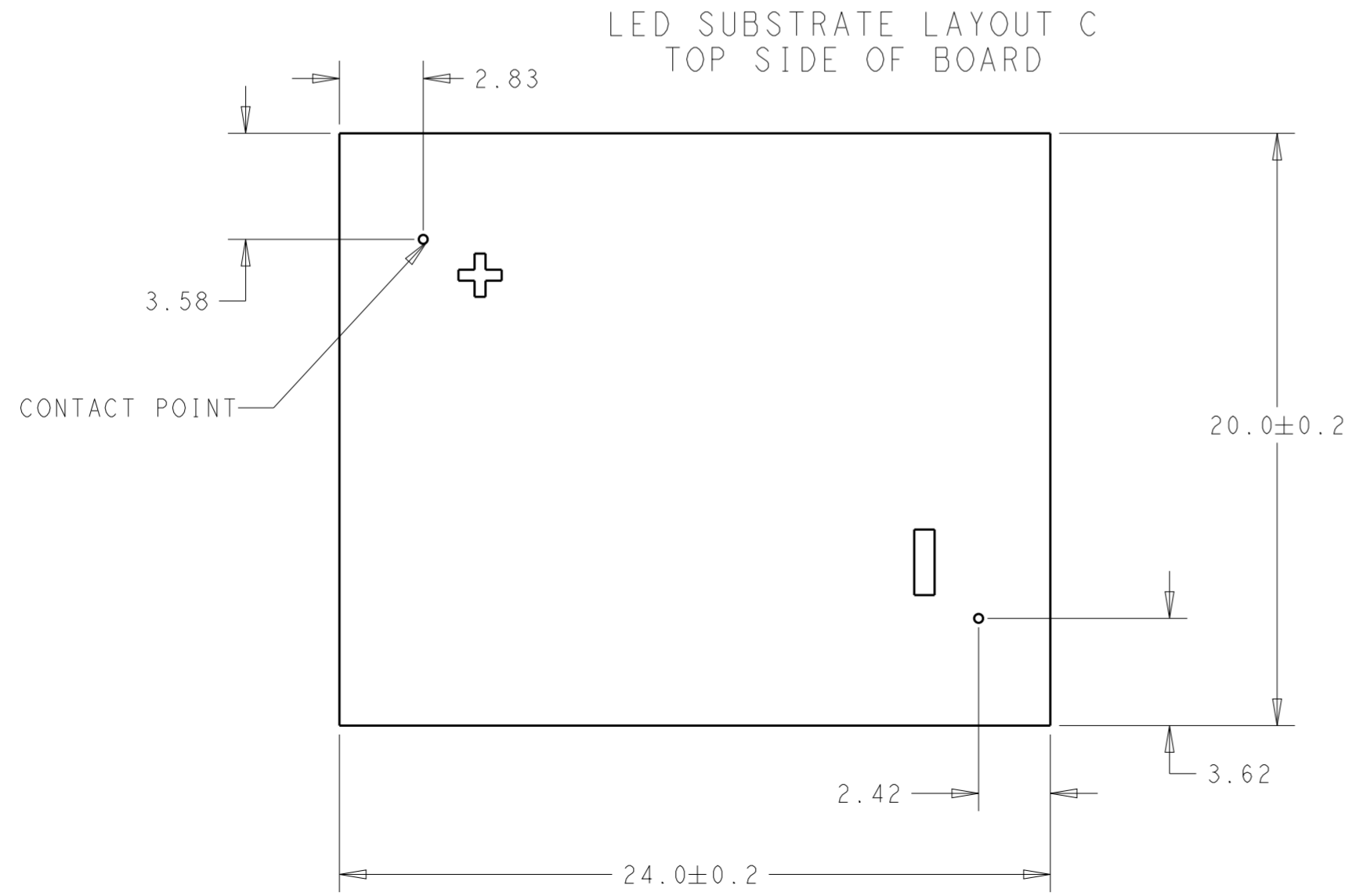
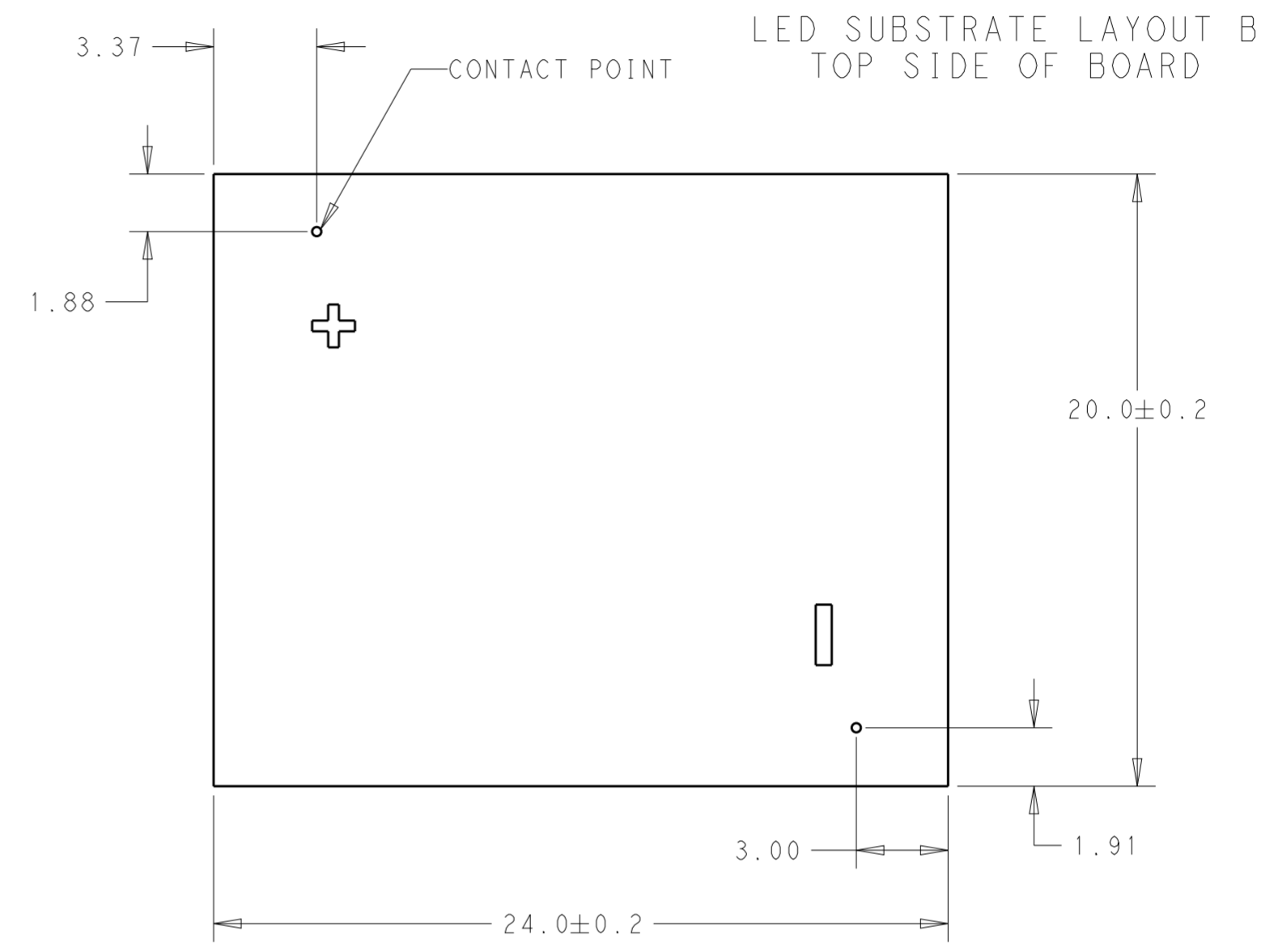
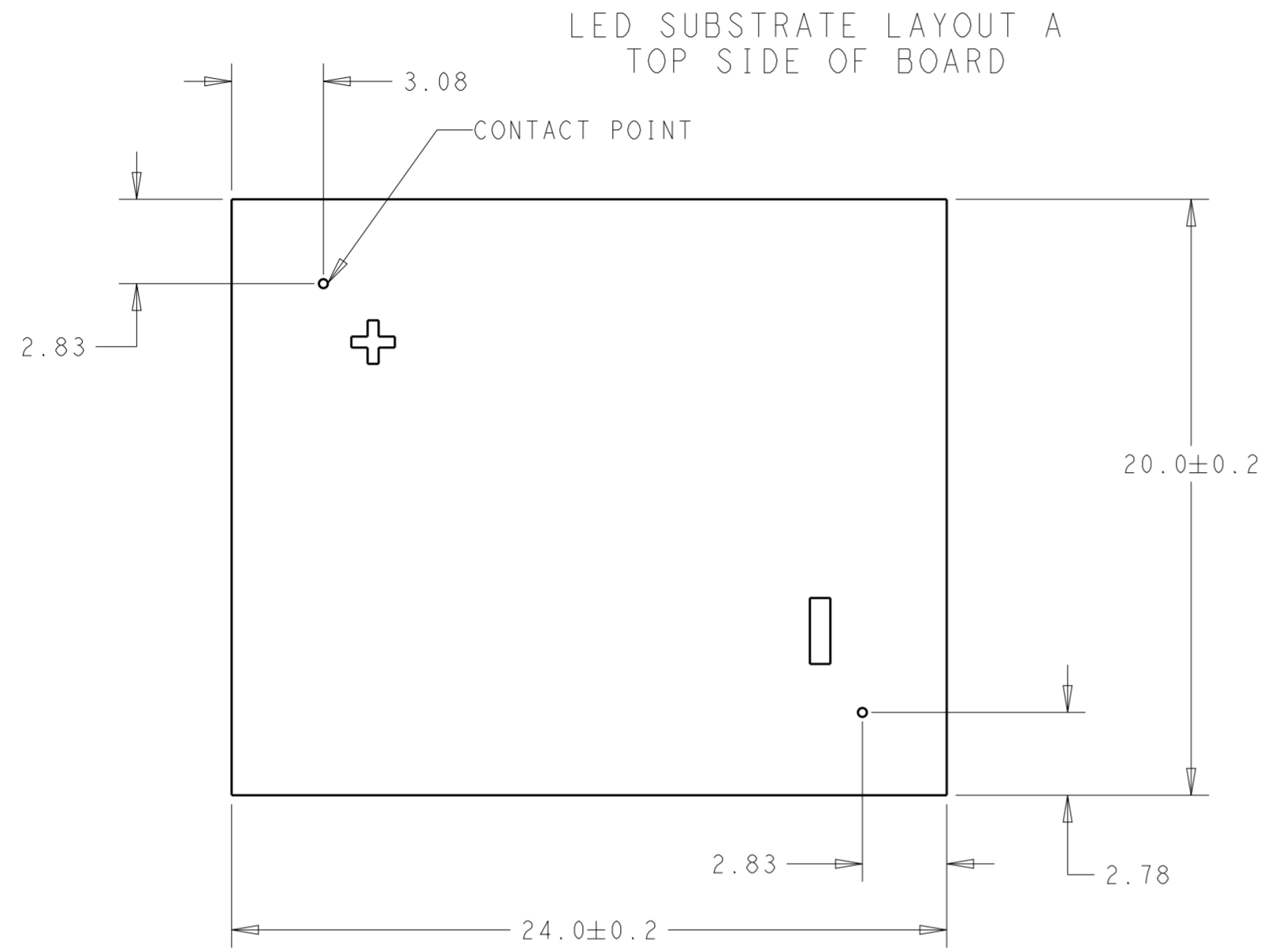


SECTION X - X
1-2325811-2 SHOWN
SCALE 3:1

THIS DRAWING IS A CONTROLLED DOCUMENT.		DWN C. DAILY 20DEC2017	STE TE Connectivity	
		CHK J. LATORRE 20DEC2017		
DIMENSIONS:		APVD -	NAME LED HOLDER, 20x24 LUMAWISE Z45 LED	
mm	TOLERANCES UNLESS OTHERWISE SPECIFIED:	PRODUCT SPEC 108-133062	SIZE A200779	
	0 PLC ±	APPLICATION SPEC 114-133107	CAGE CODE C-2325811	DRAWING NO
	1 PLC ±0.2	WEIGHT -	RESTRICTED TO	
	2 PLC ±0.13	CUSTOMER DRAWING	SCALE 2:1	SHEET 2 OF 3
	3 PLC ±		REV B	
	4 PLC ±			
	ANGLES ±2°			
	FINISH			

THIS DRAWING IS UNPUBLISHED. RELEASED FOR PUBLICATION 20
 © COPYRIGHT 20 BY - ALL RIGHTS RESERVED.

REVISIONS				
P	LTR	DESCRIPTION	DATE	APVD
-	-	SEE SHEET 1	-	-



THIS DRAWING IS A CONTROLLED DOCUMENT.		DWN C. DAILY 20DEC2017	STE TE Connectivity	
		CHK J. LATORRE 20DEC2017		
DIMENSIONS: mm		APVD -	NAME LED HOLDER, 20x24 LUMAWISE Z45 LED	
TOLERANCES UNLESS OTHERWISE SPECIFIED: 0 PLC ± 1 PLC ±0.2 2 PLC ±0.13 3 PLC ± 4 PLC ±		PRODUCT SPEC 108-133062	SIZE A200779	
MATERIAL -		APPLICATION SPEC 114-133107	DRAWING NO C-2325811	
FINISH -		WEIGHT -	RESTRICTED TO -	
		CUSTOMER DRAWING	SCALE 2:1	SHEET 3 OF 3
			REV B	