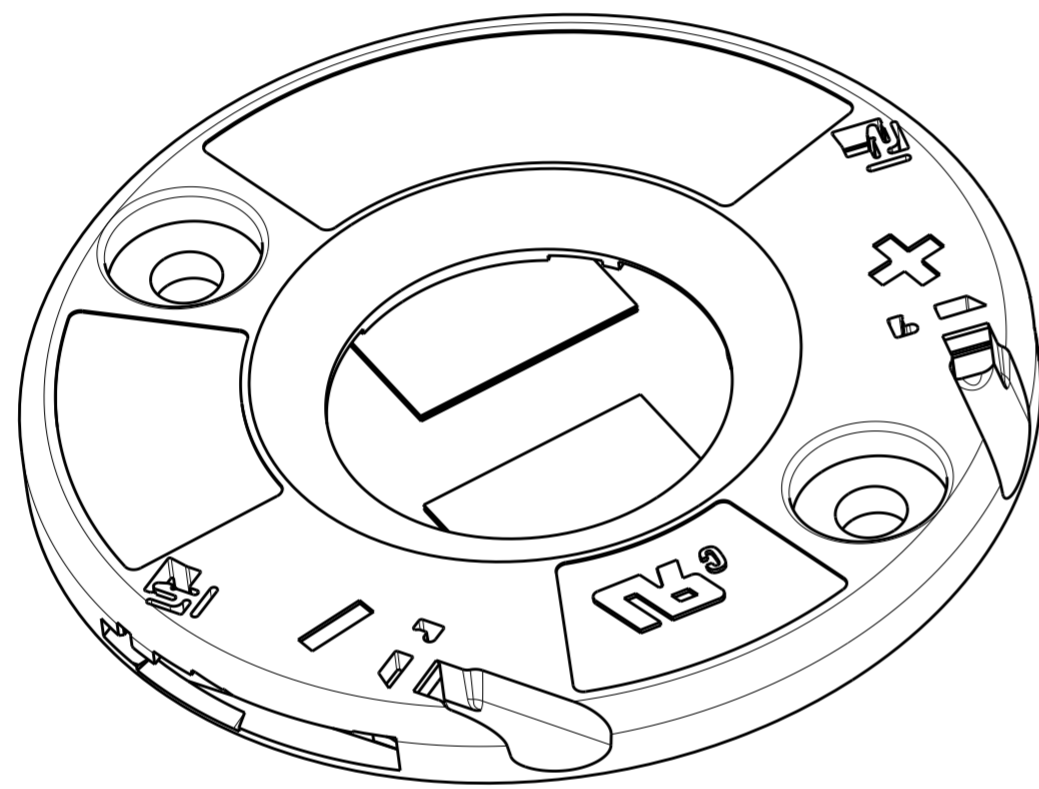


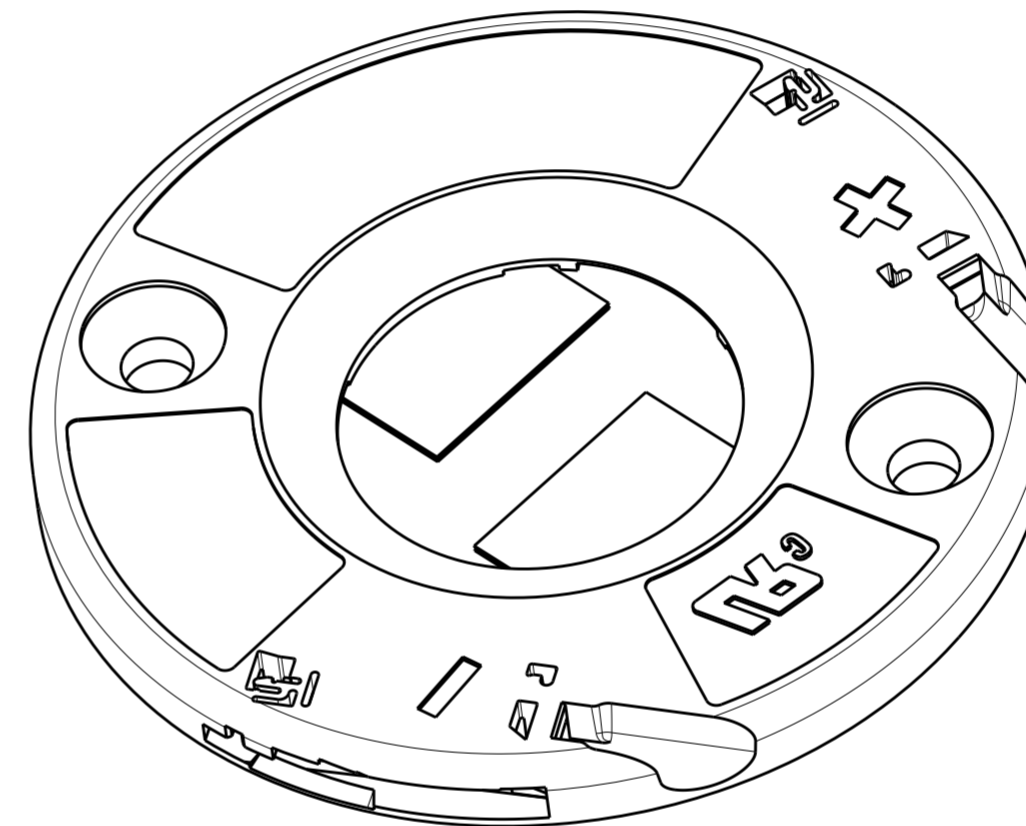
THIS DRAWING IS UNPUBLISHED. RELEASED FOR PUBLICATION 20  
 © COPYRIGHT 20 BY - ALL RIGHTS RESERVED.

REVISIONS					
P	LTR	DESCRIPTION	DATE	DWN	APVD
	A	ECR-18-007396	16MAY2018	GCM	JL
	A1	ECR-18-012126	21AUG2018	CD	JL
	A2	ECR-18-020111	03JAN2019	SR	DD
	B	ECR-19-004750	13APR2019	SR	JL

- 1 MATERIALS:  
 HOLDER: PBT ,COLOR: NATURAL;  
 CONTACTS: COPPER ALLOY, Au/Ni PLATING (LED INTERFACE)
- FOR SOLID, FUSED AND STRANDED CONDUCTOR WIRE TYPES AWG 18 AND 20
  - WIRE STRIP LENGTH: 11-12mm
  - MAX. WIRE INSULATION OUTER DIA:  $\varnothing 2,3\text{mm}$
  - RECOMMENDED SCREW TORQUE: SEE APPLICATION SPECIFICATION 114-133107.
  - SCREWS TO BE USED: M3, #4-40
  - LED MATING ON 2 CORNERS WITH ADHESIVE TAPE 3M 9472LE 300LSE.
- 8 LAYOUTS ON SHEET 3
- FOR COB-TO-HOLDER CROSS REFERENCE, REFER TO APPLICATION SPECIFICATION 114-32208



PAN HEAD  
SCALE 3:1



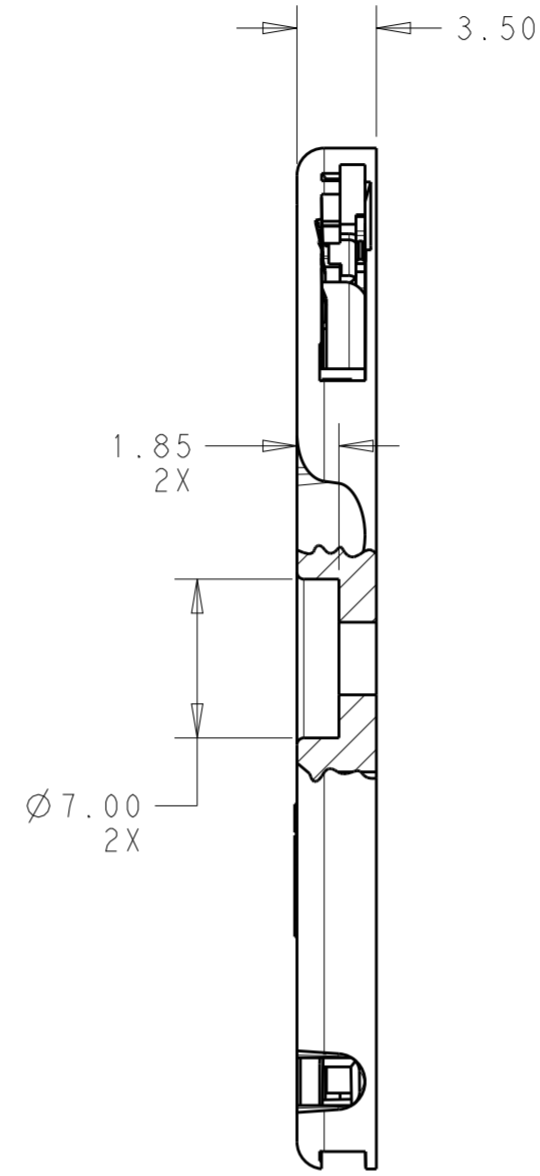
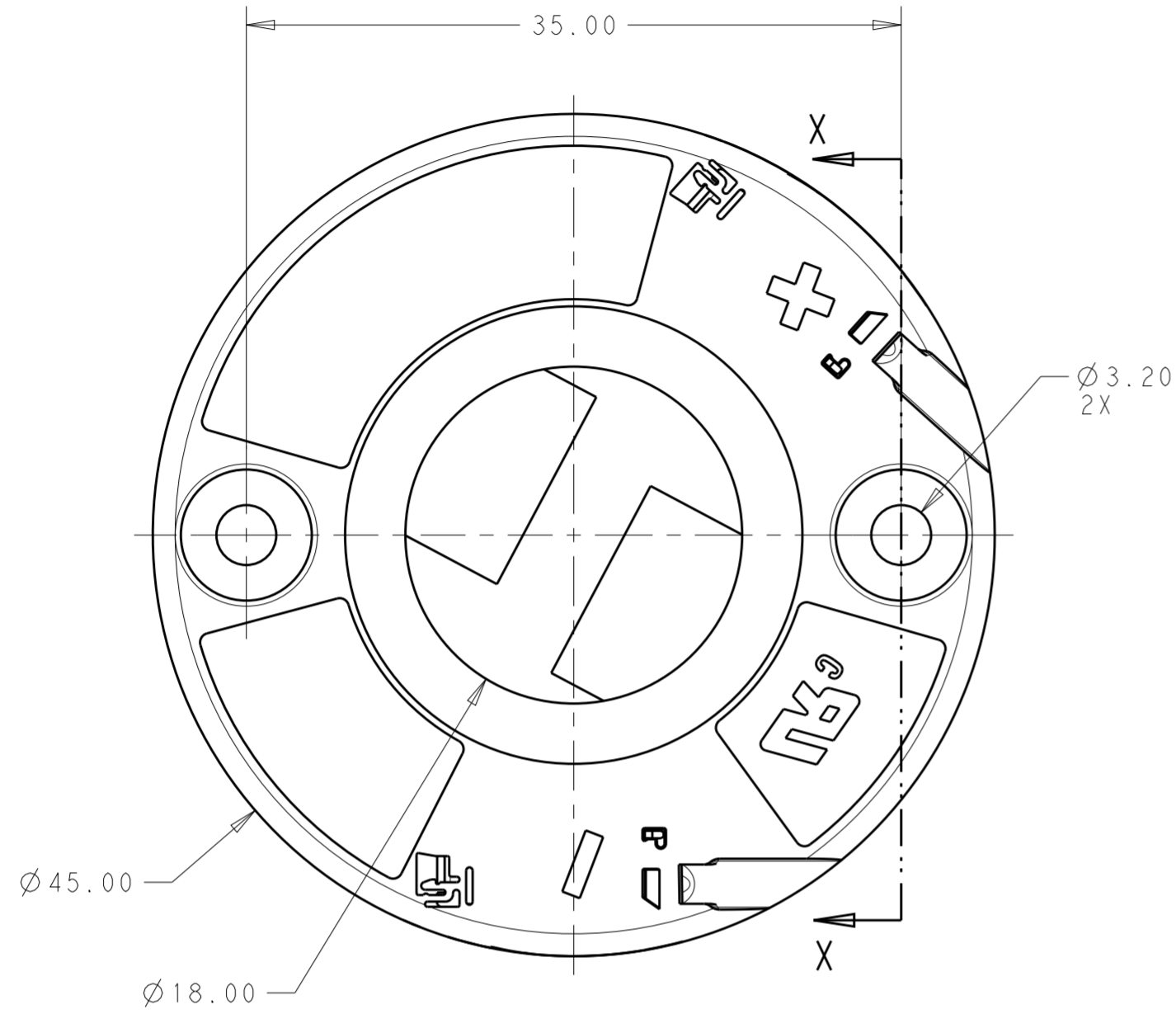
COUNTERSINK  
SCALE 3:1

C	COUNTERSINK	3-2325811-1
C	PAN HEAD	2-2325811-1
B	COUNTERSINK	1-2325811-3
B	PAN HEAD	2325811-3
A	COUNTERSINK	1-2325811-2
A	PAN HEAD	2325811-2
LED LAYOUT 8		DESCRIPTION PART NO.

THIS DRAWING IS A CONTROLLED DOCUMENT.		DWN	20DEC2017	
DIMENSIONS:		CHK	20DEC2017	
TOLERANCES UNLESS OTHERWISE SPECIFIED:		APVD	-	
mm	0 PLC ±	PRODUCT SPEC	-	
	1 PLC ±0.2	APPLICATION SPEC	108-133062	
	2 PLC ±0.13	WEIGHT	-	
	3 PLC ±	CUSTOMER DRAWING	-	
	4 PLC ±	SCALE	2:1	
	ANGLES ±2°	SHEET	1 OF 3	
	FINISH -	REV	B	
MATERIAL		DWN C DAILY 20DEC2017 CHK J LATORRE 20DEC2017 APVD - <b>STE</b> TE Connectivity NAME LED HOLDER, 20x24 LUMAWISE Z45 LED SIZE A2 CAGE CODE 00779 DRAWING NO C-2325811 RESTRICTED TO - SCALE 2:1 SHEET 1 OF 3 REV B		

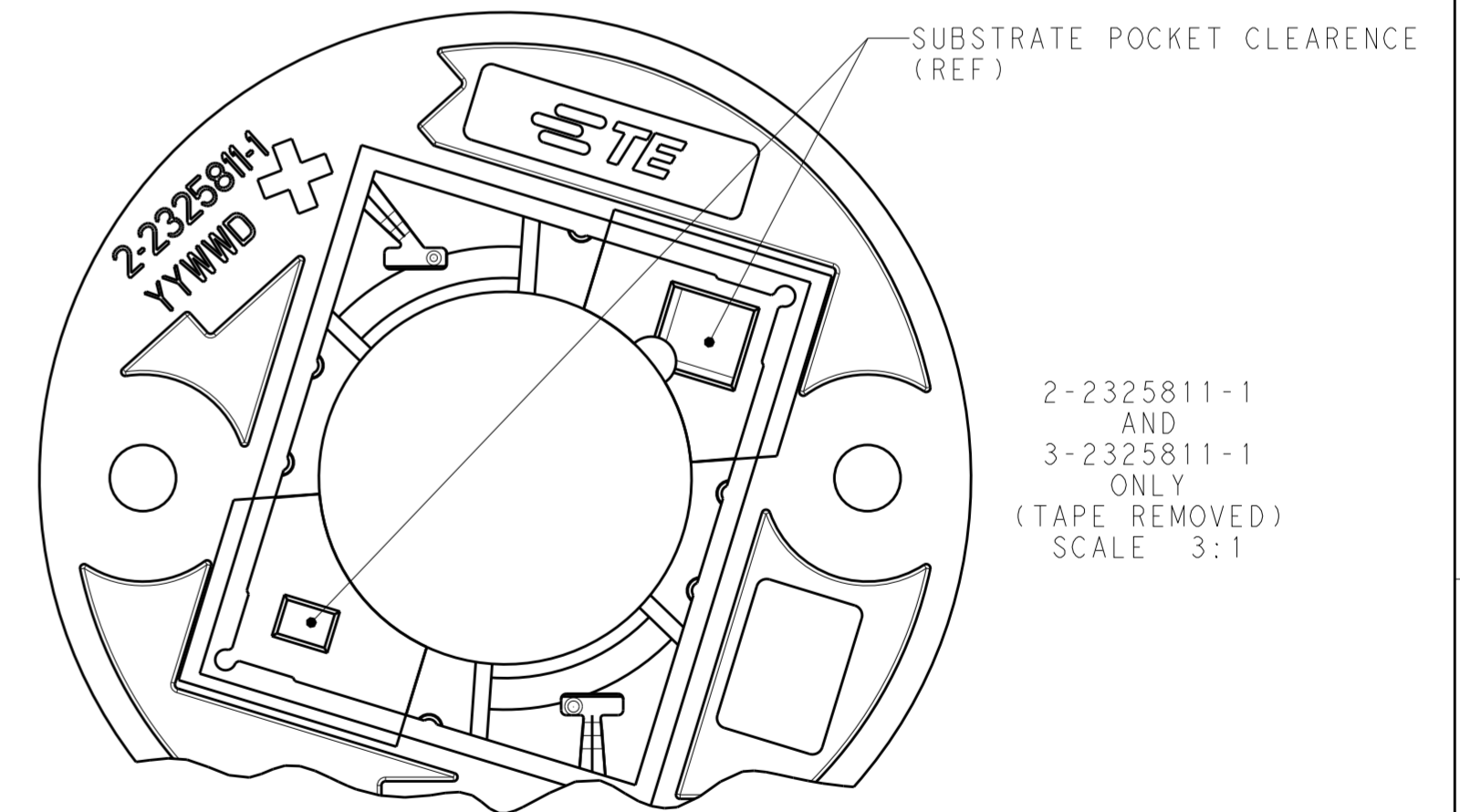
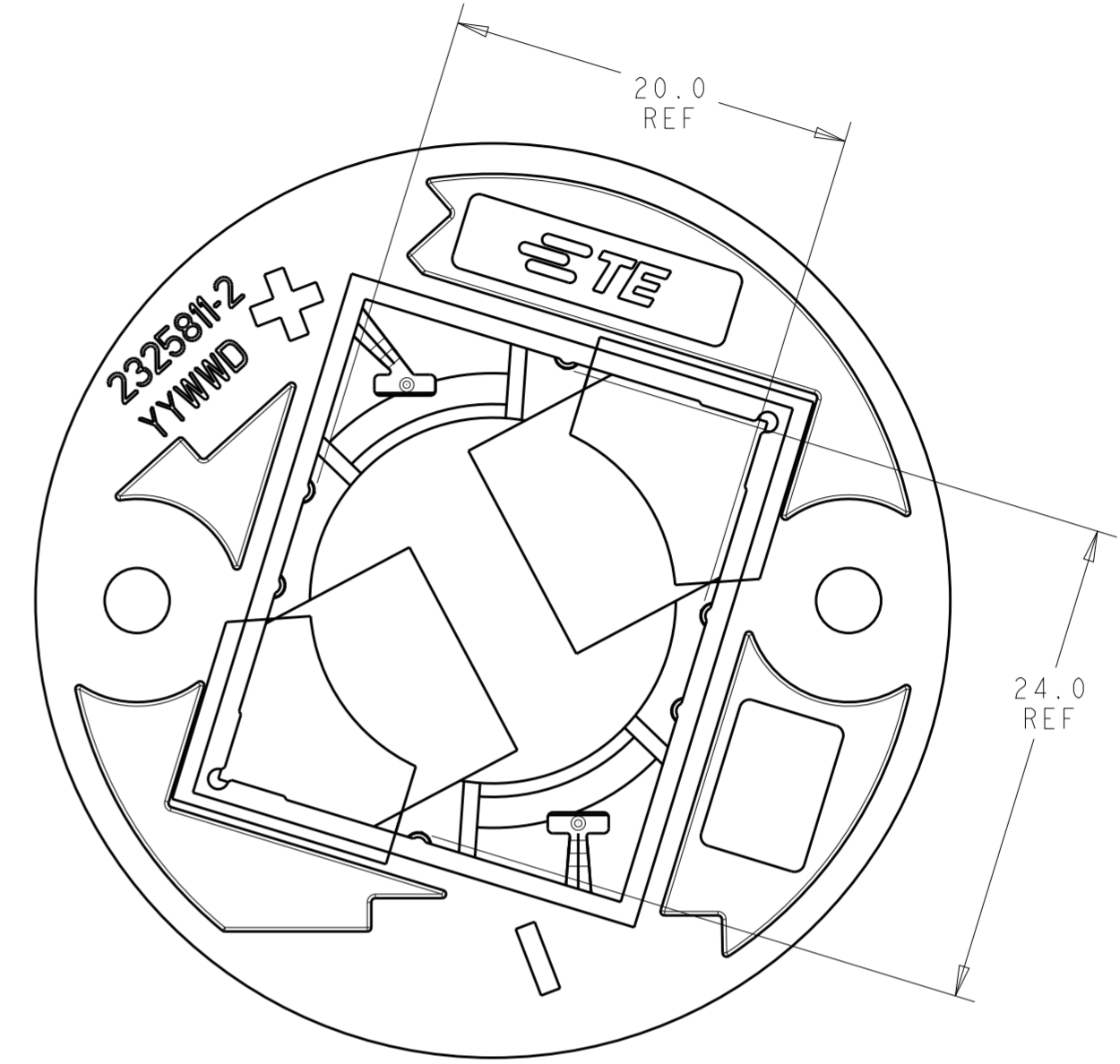
THIS DRAWING IS UNPUBLISHED. RELEASED FOR PUBLICATION 20  
 © COPYRIGHT 20 BY - ALL RIGHTS RESERVED.

REVISIONS				
P	LTR	DESCRIPTION	DATE	APVD
-	-	SEE SHEET 1	-	-

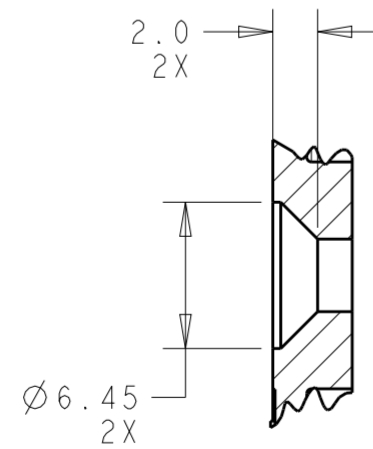


SECTION X - X

2325811-2 SHOWN  
SCALE 3:1



2-2325811-1  
AND  
3-2325811-1  
ONLY  
(TAPE REMOVED)  
SCALE 3:1

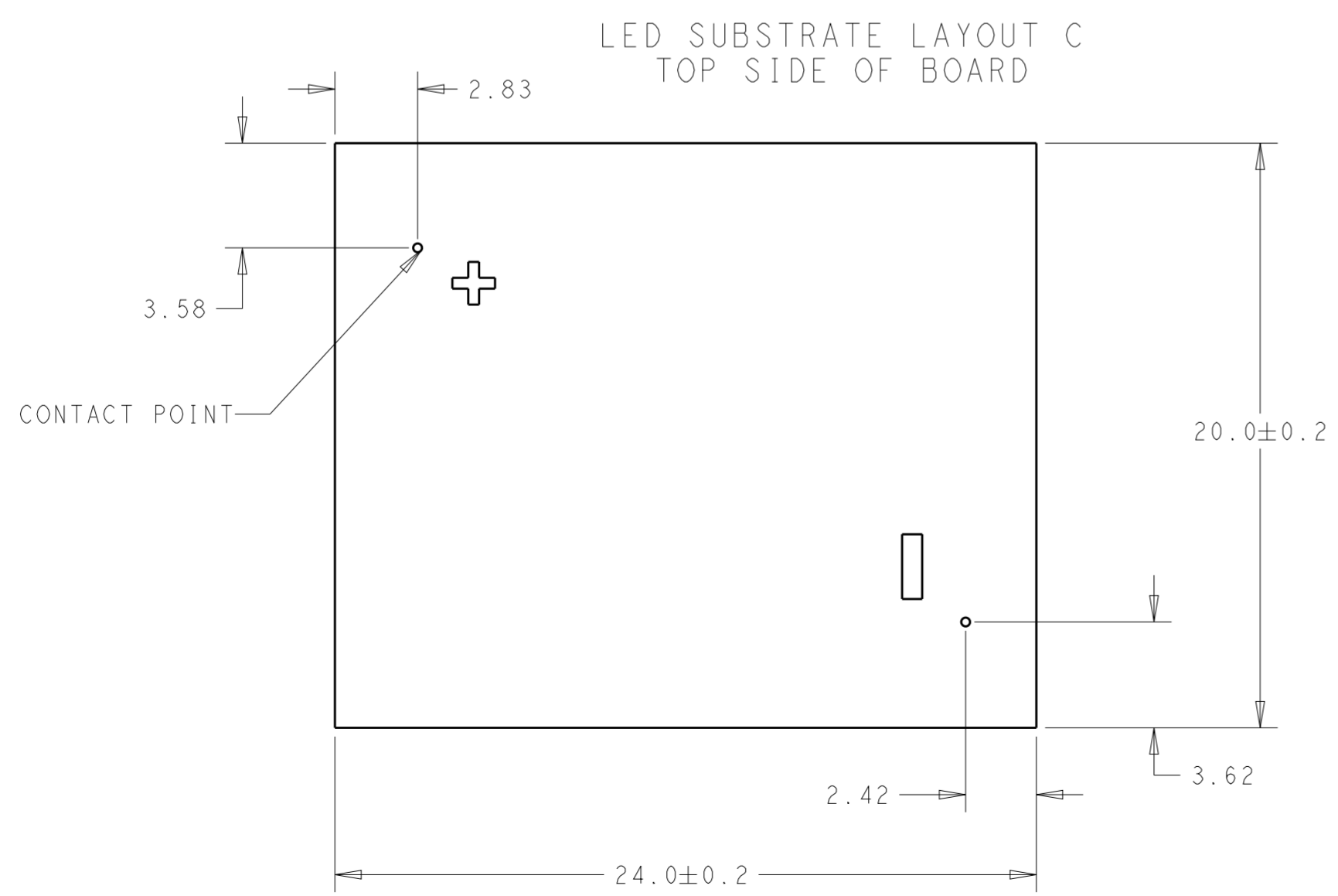


SECTION X - X  
1-2325811-2 SHOWN  
SCALE 3:1

THIS DRAWING IS A CONTROLLED DOCUMENT.		DWN C. DAILY 20DEC2017	<b>STE</b> TE Connectivity	
		CHK J. LATORRE 20DEC2017		
DIMENSIONS:		APVD -	NAME LED HOLDER, 20x24 LUMAWISE Z45 LED	
mm	TOLERANCES UNLESS OTHERWISE SPECIFIED:	PRODUCT SPEC 108-133062	SIZE A200779	
	0 PLC ±	APPLICATION SPEC 114-133107	CAGE CODE C-2325811	DRAWING NO
	1 PLC ±0.2	WEIGHT -	RESTRICTED TO	
	2 PLC ±0.13	CUSTOMER DRAWING	SCALE 2:1	SHEET 2 OF 3
	3 PLC ±			REV B
	4 PLC ±			
	ANGLES ±2°			
	FINISH			

THIS DRAWING IS UNPUBLISHED. RELEASED FOR PUBLICATION 20  
 © COPYRIGHT 20 BY - ALL RIGHTS RESERVED.

REVISIONS				
P	LTR	DESCRIPTION	DATE	APVD
-	-	SEE SHEET 1	-	-



THIS DRAWING IS A CONTROLLED DOCUMENT.		DWN C. DAILY 20DEC2017	<b>STE</b> TE Connectivity	
		CHK J. LATORRE 20DEC2017		
DIMENSIONS: mm		TOLERANCES UNLESS OTHERWISE SPECIFIED:		APVD -
		0 PLC ±	NAME LED HOLDER, 20x24 LUMAWISE Z45 LED	
		1 PLC ±0.2	PRODUCT SPEC 108-133062	
MATERIAL -		2 PLC ±0.13	APPLICATION SPEC 114-133107	
		3 PLC ±	WEIGHT -	
-		4 PLC ±	SIZE A200779	
		ANGLES ±2°	CAGE CODE C-2325811	
-		FINISH -	DRAWING NO -	
		CUSTOMER DRAWING	SCALE 2:1	SHEET 3 OF 3