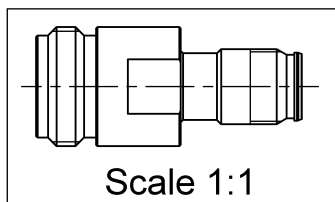
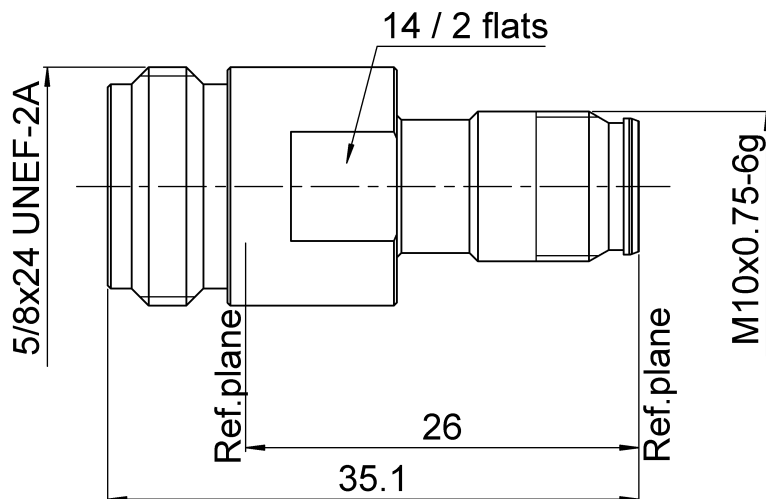
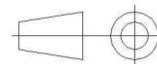
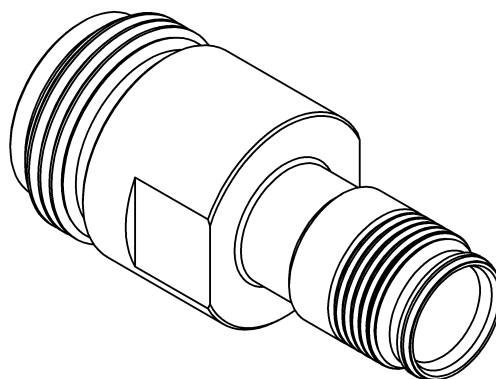


PAGE 1/2	ISSUE 05-12-16A	SERIES ADAPTER	PART NUMBER R191620027
----------	-----------------	-------------------	------------------------



All dimensions are in mm.



COMPONENTS	MATERIALS	PLATING (μm)
Body	BRASS	BBR
Center contact	BERYLLIUM COPPER	SILVER
Outer contact		
Insulator	PTFE	
Gasket		
Others parts		
-	-	-
-	-	-

PAGE 2/2	ISSUE 05-12-16A	SERIES ADAPTER	PART NUMBER R191620027
-----------------	------------------------	--------------------------	-------------------------------

PACKAGING

Standard	Unit	Other
1	Contact us	Contact us

ELECTRICAL CHARACTERISTICS

Impedance		50		Ω
Frequency		0-11		GHz
VSWR	1.02	+	0.0150	x F(GHz) Maxi
Insertion loss			0.05	√F(GHz) dB Maxi
RF leakage		- (NA	- F(GHz) dB Maxi
Voltage rating			500	Veff Maxi
Dielectric withstanding voltage			1500	Veff mini
Insulation resistance			5000	MΩ mini

ENVIRONMENTAL

Operating	-55/+125	°C
Hermetic seal	NA	Atm.cm3/s
Panel leakage	NA	

MECHANICAL CHARACTERISTICS

Center contact retention				
Axial force – Mating End		27		N mini
Axial force – Opposite end		27		N mini
Torque		NA		N.cm mini
Recommended torque				
Mating	N	0		N.cm
	NEX10	0		N.cm
		0		N.cm
Panel nut		NA		N.cm
Mating life		100		Cycles mini
Weight		27.3700		g

SPECIFICATION

OTHER CHARACTERISTICS