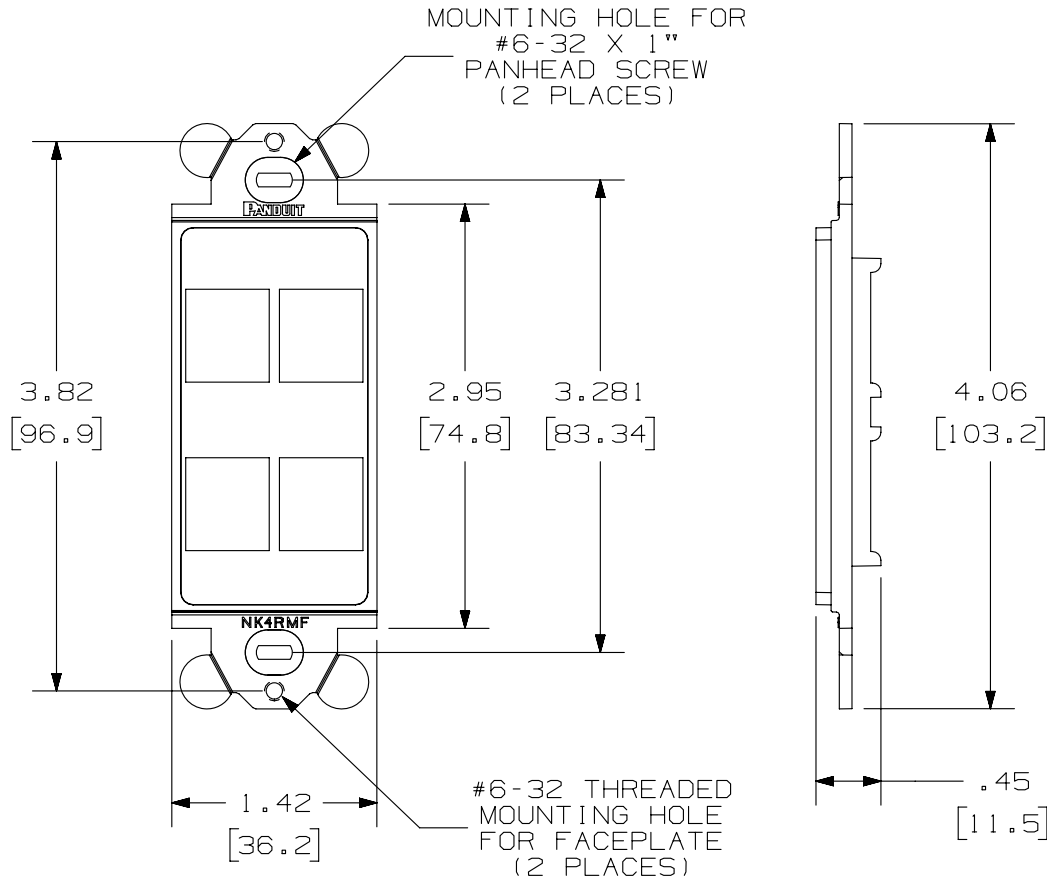


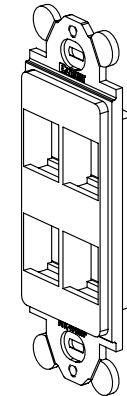
THIS COPY IS PROVIDED ON A RESTRICTED BASIS AND IS NOT TO BE USED IN ANY WAY DETRIMENTAL TO THE INTERESTS OF PANDUIT CORP.



PANDUIT P/N	WEIGHT
NK4RMF**	.02LB EACH PC (11.1G EACH PC)

NOTES:

1. SEE CURRENT CATALOG FOR ADDITIONAL PART NUMBER SUFFIXES TO INDICATE COLOR AND OR PACKAGE QUANTITY.
2. SEE CATALOG FOR COMPLETE LIST OF PARTS APPLICABLE FOR USE WITH THIS PART.
3. DIMENSIONS IN PARENTHESES ARE IN METRIC.
4. (2) #6-32 x 1" PANHEAD SCREWS ARE SUPPLIED.



PART NUMBER		NK 4RMF **	
TITLE			
NETKEY 4 POSITION RECTANGULAR MODULE FRAME			
CUSTOMER DRAWING			
ITEM REVISION NAME		D38402BA/02	
DATASET FILE NAME		D38402BA_DC02/02B	
UNLESS OTHERWISE SPECIFIED, DIMENSIONAL TOLERANCES ARE: IN [ mm ]		MATERIAL:	
.x ± .xxx ± .010 [ .3 ]		ABS	
.xx ± .03 [ .8 ]		DRAWING NUMBER:	
ANGLES ±		38402-02	
THIRD ANGLE PROJECTION		SHT 1 OF 1	
DRAWN BY	DATE	CHK	SCALE
JSP	3-11-03	PBD	NONE
REV	DATE	BY	CHK
1	5-12-14	MDJR	REFR
R	3-11-03	JSP	PBD
APR			
DESCRIPTION		ECN	
A. UPDATED TITLE BLOCK.		38402-02	
RELEASED TO PRODUCTION		38402-02	

REV	DATE	BY	CHK	APR	DESCRIPTION	ECN
1	5-12-14	MDJR	REFR	JCK	A. UPDATED TITLE BLOCK.	38402-02
R	3-11-03	JSP	PBD	PBD	RELEASED TO PRODUCTION	38402-02

D101000DA/14

2

1

2

1