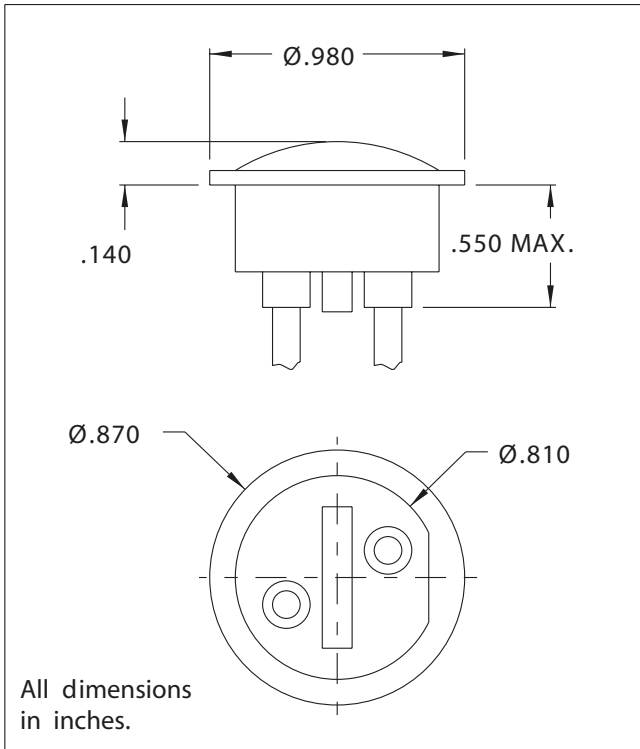


2620K and 2622K Series Non-Relampable Neon Indicator Light

Description and Features



Mounting: Supplied with speednut SN2089. Mounting hole pattern on page SP2.

Wire Leads: No. 22 AWG (105°C) 4.40/4.80 long, stripped .430/.570

Lens: Polycarbonate

Bezel: White nylon.

Housing: White Nylon

Lens Color	Neon
	Model No. (105-125VAC) Wire Leads
Red	2620K1
Amber	2620K3
Green	2622K5*
Lamp used	C2A+R resistor

*Incorporates G2B lamp and resistor
Underwriters Laboratories (UL) File No. E20356