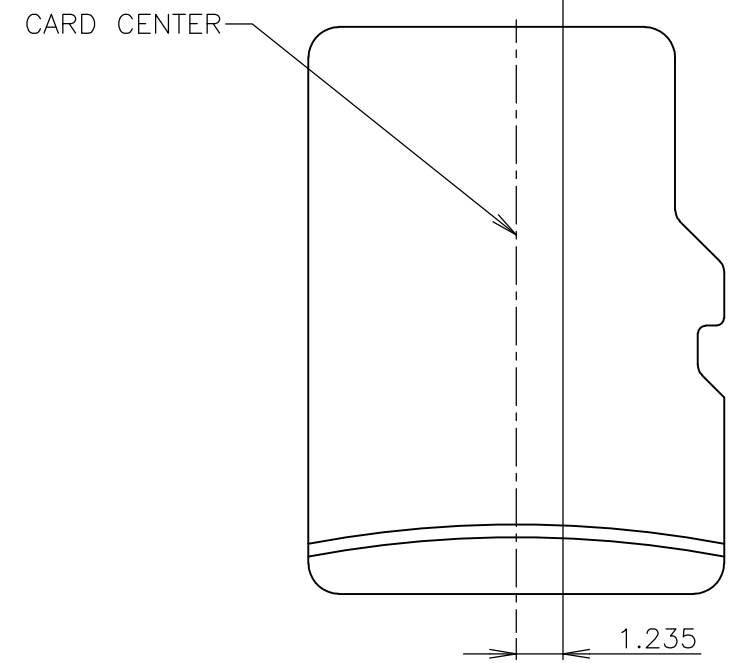
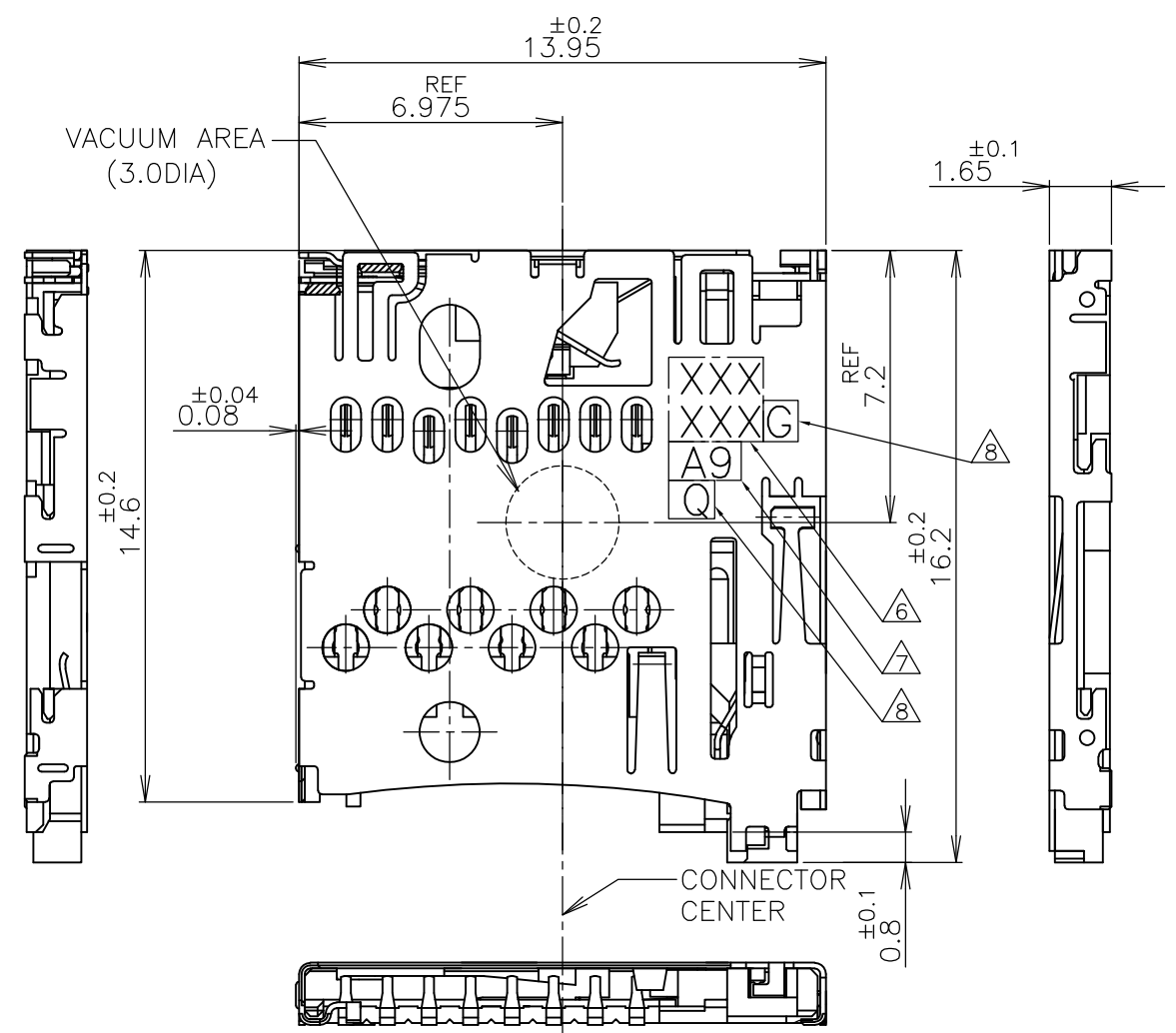


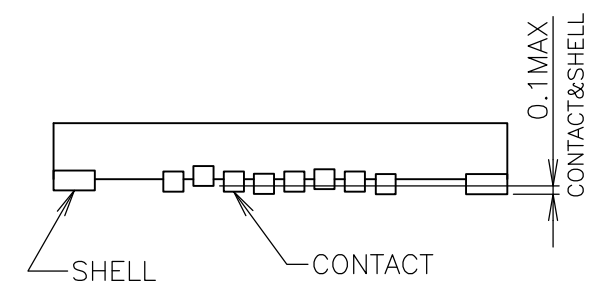
THIS DRAWING IS UNPUBLISHED. RELEASED FOR PUBLICATION MAY, 2011.  
 © COPYRIGHT 2011 By Tyco Electronics Japan G.K. ALL RIGHTS RESERVED.

LOC	DIST	REVISIONS		
		P	LTR	DESCRIPTION
J	/		B	REVISED

DATE	DWN	APVD
16SEP2015	M.T	K.K



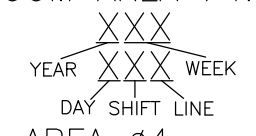
- 1.材料 ハウジング、スライダ：熱可塑性樹脂 UL 94-V 色：黒  
 コントクト：銅合金  
 シェル：銅合金  
 コイル：SWP  
 カムロッド：SUS  
 フックスプリング：SUS
- 2 仕上げ コントクト：Ni下地めっき  
 接点部：金めっき  
 シェル：Ni下地めっき  
 金めっき



- ③ 非累積公差
- 4. コプラナリティは 0.1mm以下
- ⑤ スイッチ回路図
- ⑥ デートコードマーキングすること。吸着エリアφ4にはマーキングしないこと。
- ⑦ バージョンマーキングすること。吸着エリアφ4にはマーキングしないこと。
- ⑧ 生産場所コード：“G”：GUANGDONG，“Q”：QINGDAO.

- 1.MATERIAL HOUSING,SLIDER : THERMOPLASTIC RESIN  
 UL94V-0, COLOR;BLACK  
 CONTACT : COPPER ALLOY  
 SHELL : COPPER ALLOY  
 COIL : SWP  
 CAM ROD : SUS  
 HOOK SPRING : SUS
- 2 FINISH CONTACT : Ni UNDER PL  
 Au PL AT CONTACT AREA  
 SHELL : Ni UNDER PL  
 Au PL

- ③ NON-CUMULATIVE TOLERANCE
  - 4. COPLANARITY IS 0.1MAX.
  - ⑤ CIRCUIT DRAWING OF SWITCH.
  - ⑥ MARK DATE CODE. MUST NOT MARK AT VACUUM AREA φ4.
- ⑦ MARK VERSION. MUST NOT MARK AT VACUUM AREA φ4.  
 (MASS PRO) AX (PROTO) P1→P2→PX
- ⑧ PRODUCTION LOCATION CODE: "G" FOR GUANGDONG, "Q" FOR QINGDAO.



THIS DRAWING IS A CONTROLLED DOCUMENT.		DWN Y.KUDO 21MAY2012	<b>STE</b> TE Connectivity	
DIMENSIONS: 単位： 耗 MM		CHK K.KOBAYASHI 21MAY2012		
TOLERANCES UNLESS OTHERWISE SPECIFIED: 一般公差		APVD T.KUSUHARA 21MAY2012	NAME 名称	
0 PLC ± 0.3		PRODUCT SPEC 製品規格	MICRO SD	
1 PLC ± 0.3		APPLICATION SPEC 取付適用規格	PUSH PUSH LOW PROFILE TYPE	
2 PLC ± 0.3		WEIGHT 0.45g	SIZE A3	CAGE CODE 00779
3 PLC ± 0.3		CUSTOMER DRAWING	DRAWING NO 番号 C-2201778	
4 PLC ± 0.3			SCALE 尺度 5:1	SHEET 1 OF 4
ANGLES ± 1°		REV B		
FINISH 仕上		PART NUMBER 2201778-1		

4

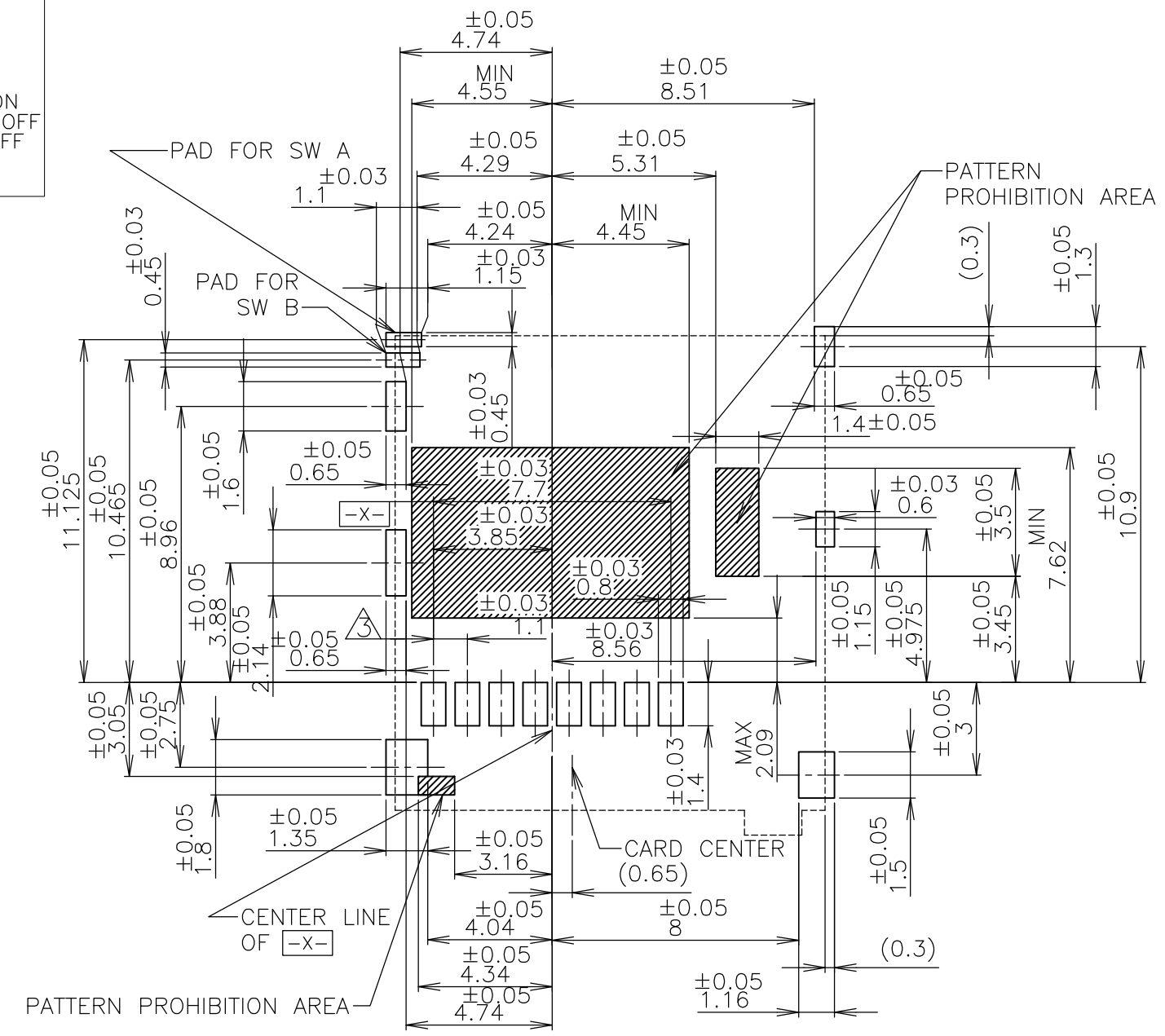
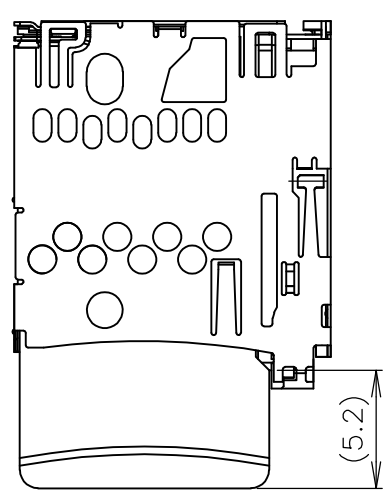
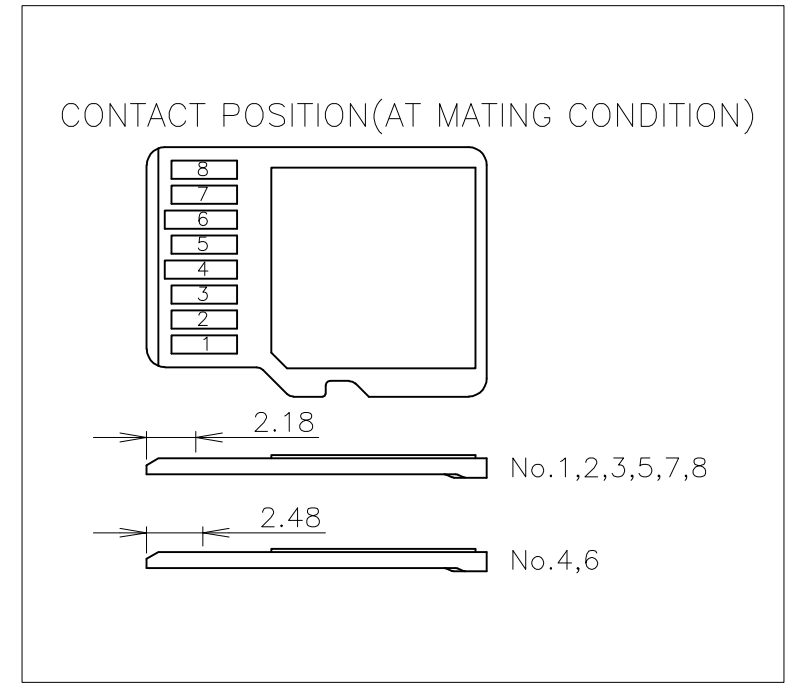
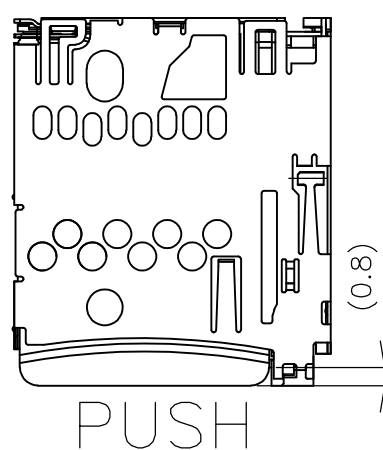
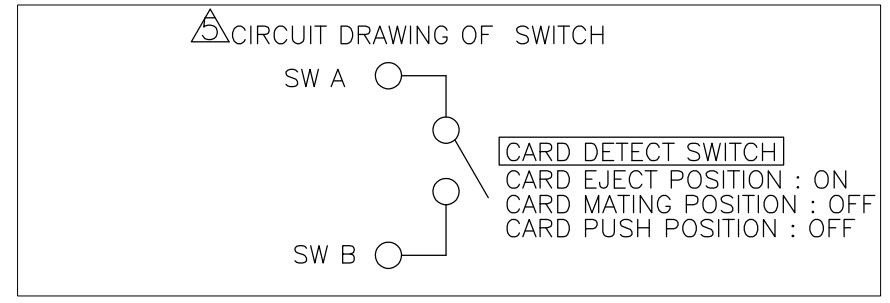
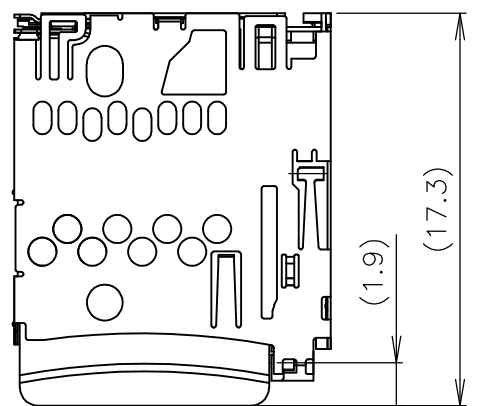
3

2

1

THIS DRAWING IS UNPUBLISHED. RELEASED FOR PUBLICATION MAY, 2005.  
 © COPYRIGHT 2005 By Tyco Electronics Japan G.K. ALL RIGHTS RESERVED.

LOC	DIST	REVISIONS					
J		P	LTR	DESCRIPTION	DATE	DWN	APVD
		-	-	SEE SHEET 1	-	-	-



THIS DRAWING IS A CONTROLLED DOCUMENT.		DWN	TE Connectivity			
DIMENSIONS: 単位: 耗 MM		CHK	NAME 名称			
		APVD	MICRO SD PUSH PUSH LOW PROFILE TYPE			
TOLERANCES UNLESS OTHERWISE SPECIFIED: 一般公差		PRODUCT SPEC	SIZE		CAGE CODE	DRAWING NO
0 PLC	± 0.3	製品規格	A3	00779	G	2201778
1 PLC	± 0.3	取付適用規格	RESTRICTED TO			
2 PLC	± 0.3		SCALE		SHEET	REV
3 PLC	± 0.3		尺度	5:1	2 OF 4	B
4 PLC	± 0.3		CUSTOMER DRAWING			
ANGLES	± 1°	WEIGHT				
MATERIAL	FINISH					
材料	仕上					

THIS DRAWING IS UNPUBLISHED.

RELEASED FOR PUBLICATION MAY , 2005.

© COPYRIGHT 2005 By Tyco Electronics Japan G.K.

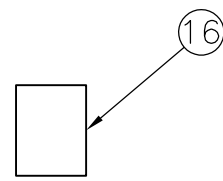
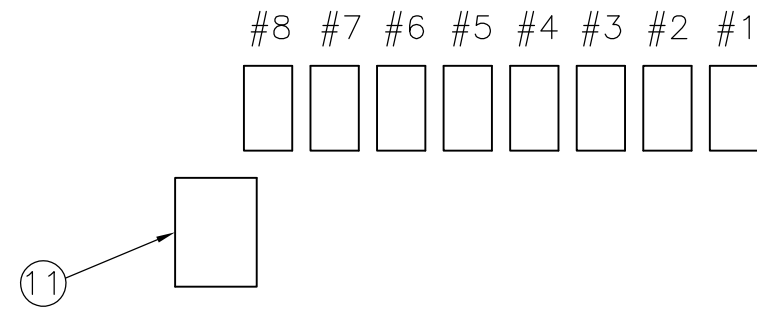
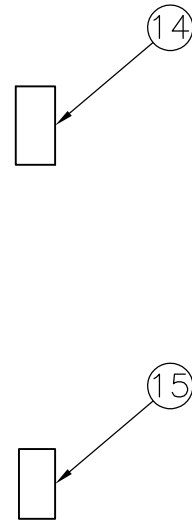
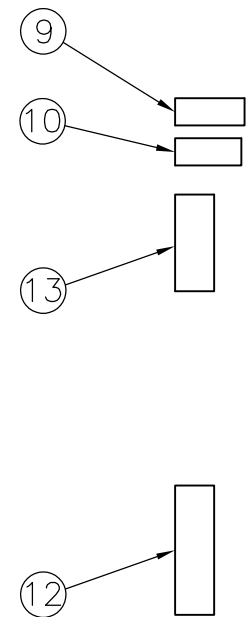
ALL RIGHTS RESERVED.

LOC  
J

DIST  
/

REVISIONS  
変更

P	LTR	DESCRIPTION	DATE	DWN	APVD
	-	SEE SHEET 1	-	-	-



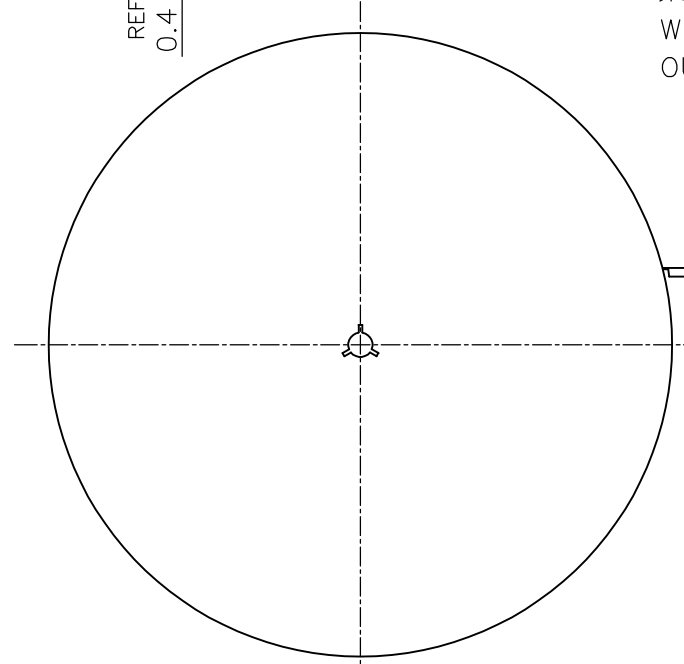
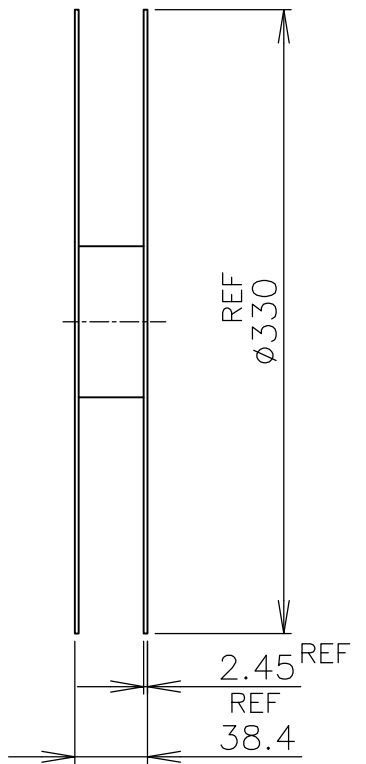
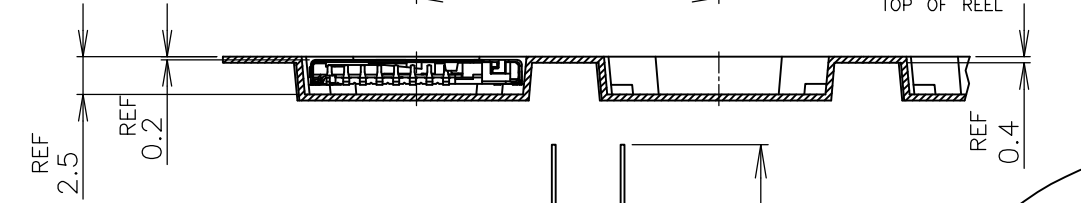
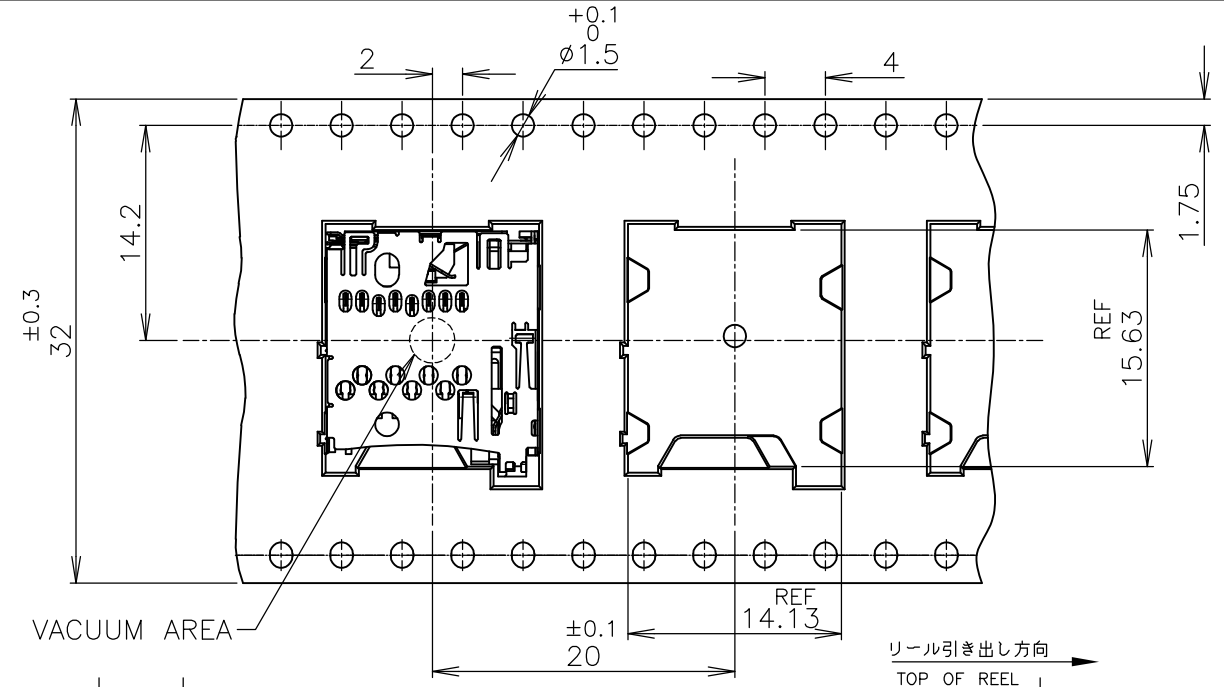
PIN ASSIGNMENT						
PIN#	SD MODE			SPI MODE		
	NAME	TYPE	DESCRIPTION	NAME	TYPE	DESCRIPTION
1	DAT2	I/O	DATA LINE[BIT 2]	RSV		
2	CD/DAT3	I/O	CARD DETECT/ DATA LINE[BIT 3]	CS	I	CHIP SELECT(NEG TRUE)
3	CMD	I/O	COMMAND/RESPONSE	DI	I	DATA IN
4	V <sub>DD</sub>	S	SUPPLY VOLTAGE	V <sub>DD</sub>	S	SUPPLY VOLTAGE
5	CLK	I	CLOCK	SCLK	I	CLOCK
6	V <sub>SS</sub>	S	SUPPLY VOLTAGE GROUND	V <sub>SS</sub>	S	SUPPLY VOLTAGE GROUND
7	DAT0	I/O	DATA LINE[BIT 0]	DO	O	DATA OUT
8	DAT1	I/O	DATA LINE[BIT 1]	RSV		

PIN ASSIGNMENT		
NO.	PIN NAME	DESCRIPTION
⑨	SWA	DETECT SWITCH
⑩	SWB	DETECT SWITCH
⑪ ~ ⑯	GND	SHELL GROUND

THIS DRAWING IS A CONTROLLED DOCUMENT.		DWN	TE Connectivity		
DIMENSIONS: 単位: 耗 MM		CHK			
TOLERANCES UNLESS OTHERWISE SPECIFIED: 一般公差		APVD	NAME 名称		
0 PLC ± 0.3 1 PLC ± 0.3 2 PLC ± 0.3 3 PLC ± 0.3 4 PLC ± 0.3 ANGLES ± 1°		PRODUCT SPEC 製品規格		MICRO SD PUSH PUSH LOW PROFILE TYPE	
MATERIAL 材料		APPLICATION SPEC 取付適用規格		SIZE	RESTRICTED TO
FINISH 仕上		WEIGHT		CAGE CODE	DRAWING NO 番号
		CUSTOMER DRAWING		A3	00779
		SCALE 尺度 8:1		G-2201778	REV B
		SHEET 3 OF 4			

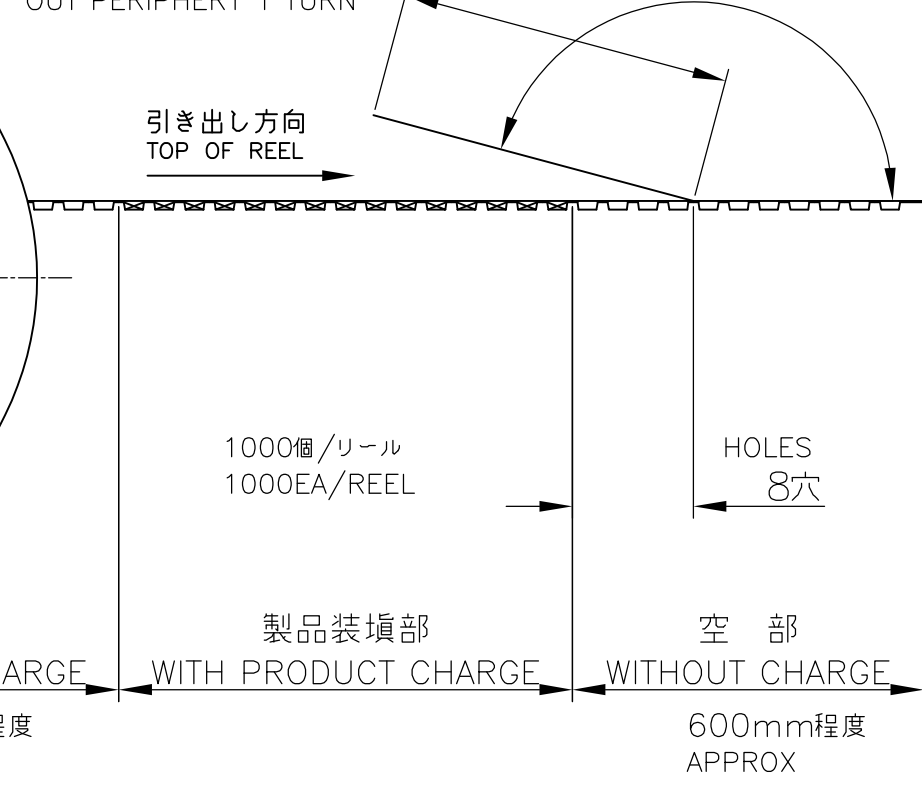
THIS DRAWING IS UNPUBLISHED. RELEASED FOR PUBLICATION MAY, 2005.  
 © COPYRIGHT 2005 By Tyco Electronics Japan G.K. ALL RIGHTS RESERVED.

LOC	DIST	REVISIONS		
J	/	P	LTR	DESCRIPTION
		-		SEE SHEET 1
				DATE
				DWN
				APVD



カバーテープリーダー部  
 外周1巻  
 WIDE COVER TAPE AROUND  
 OUT PERIPHERY 1 TURN

剥離強度 0.1-1.3N MAX(300±10mm/min)  
 PEELING STRENGTH  
 剥離角度 165~180°  
 PEELING ANGLE



THIS DRAWING IS A CONTROLLED DOCUMENT.		DWN	STE TE Connectivity		
DIMENSIONS: 単位: 耗 MM		CHK	NAME 名称		
TOLERANCES UNLESS OTHERWISE SPECIFIED: 一般公差		APVD	MICRO SD PUSH PUSH LOW PROFILE TYPE		
0 PLC ± 0.3		PRODUCT SPEC 製品規格		SIZE	RESTRICTED TO
1 PLC ± 0.3		APPLICATION SPEC 取付適用規格		CAGE CODE	A300779
2 PLC ± 0.3		WEIGHT		DRAWING NO	
3 PLC ± 0.3		CUSTOMER DRAWING		番号	G-2201778
4 PLC ± 0.3		SCALE 尺度 2:1		SHEET 4 OF 4	
ANGLES ± 1°		REV B			
MATERIAL 材料	FINISH 仕上				