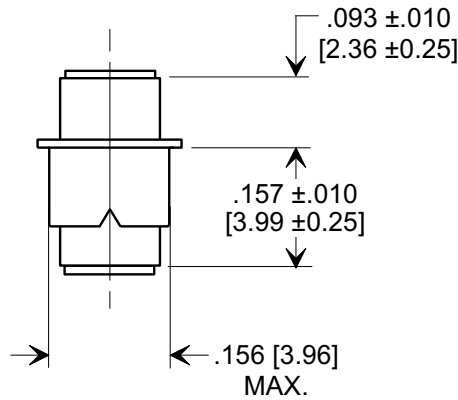
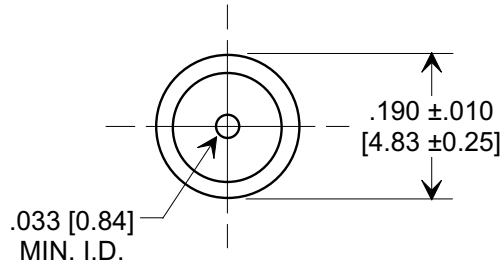
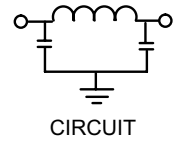
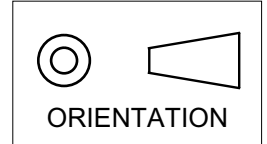


MARKETING SALES DRAWING
DIMENSIONS IN INCHES - DO NOT SCALE THIS DRAWING
DIMENSIONS IN METRIC - []

This drawing is the property of Tusonix, Inc., and may not be used, reproduced, published or disclosed to others without expressed authorization by Tusonix Inc.

Electrical Testing
per Tusonix standard
test plans and Mil-Std-202
Test Methods.



MIN. CAP. (pF)	WORKING VOLTAGE (WVdc) 125°C	CURRENT Idc.	I.R. MIN. @ 100 (VDC.)	DWV (VDC)	MINIMUM NO LOAD INSERTION LOSS (dB) AT 25°C PER MIL-STD-220			
					10 MHz	100 MHz	1 GHz	10 GHz
1750	125	10 A	10 G Ω	313	5	35	50	50

X-2015 Rev-0 REVISION RECORD Original Release C.O. 20070605-4-01	0	--TOLERANCES-- Unless Otherwise Specified DECIMAL ± / // // // ANGLES ± / // // //	Title EYELET STYLE EMI FILTER MIL 15733/66-0001		
	Drawn S.M. 06-05-07 Scale 4 X				
	Approved T.C. 06-05-07		TUSONIX TUCSON, ARIZONA	A	4101-500