

4

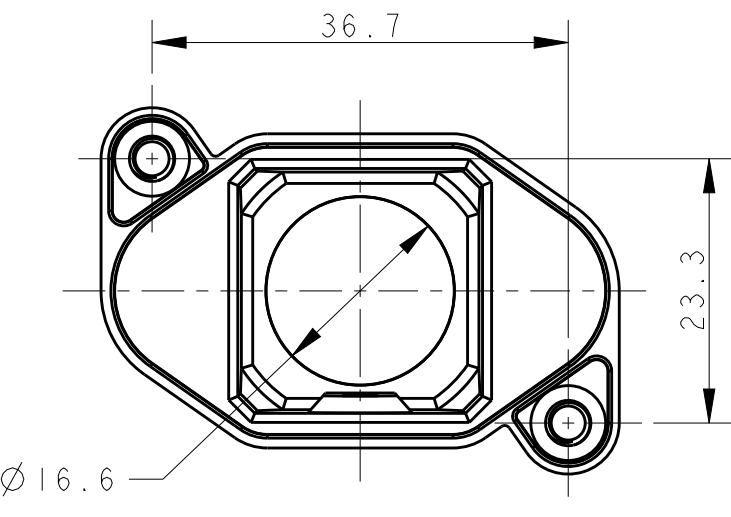
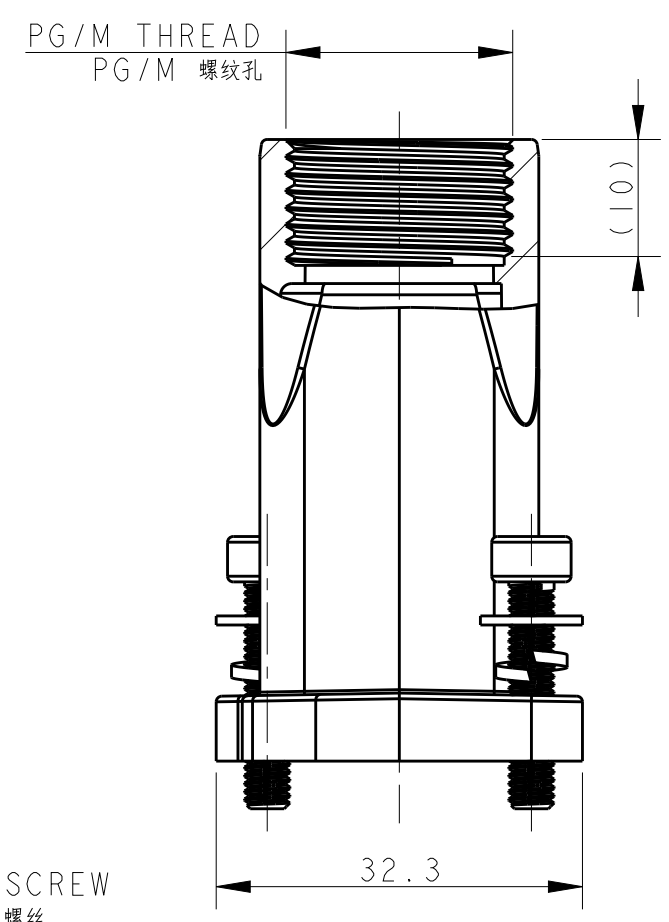
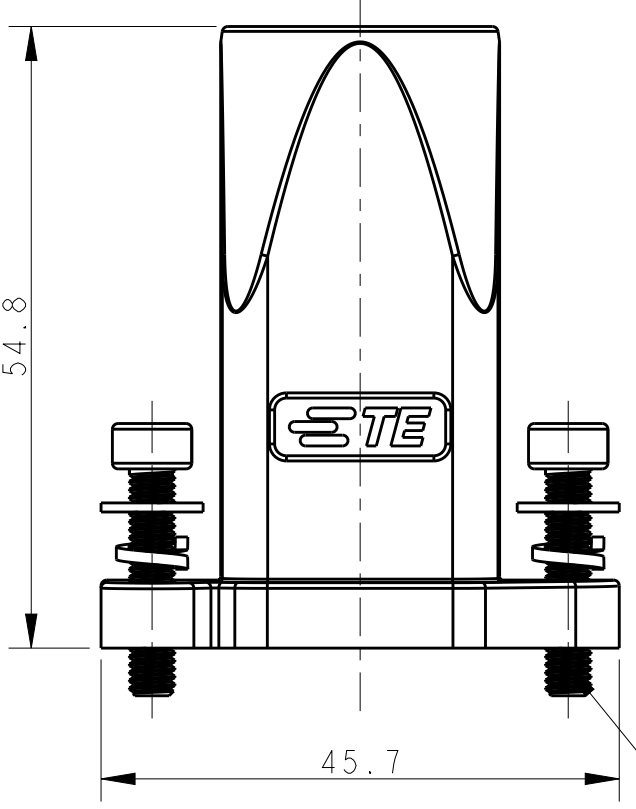
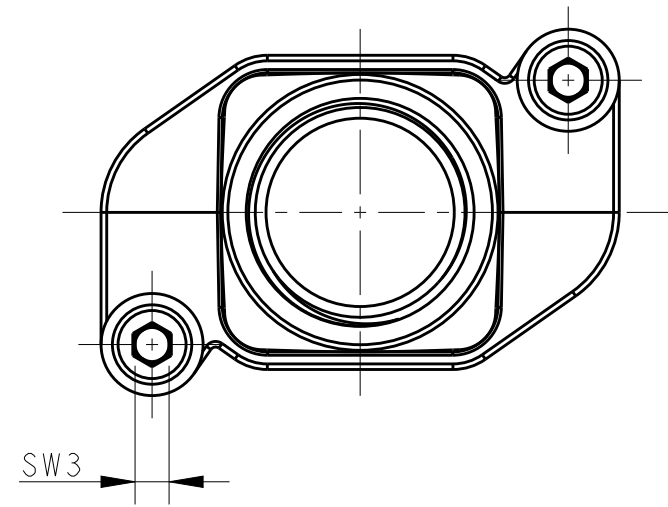
3

2

1

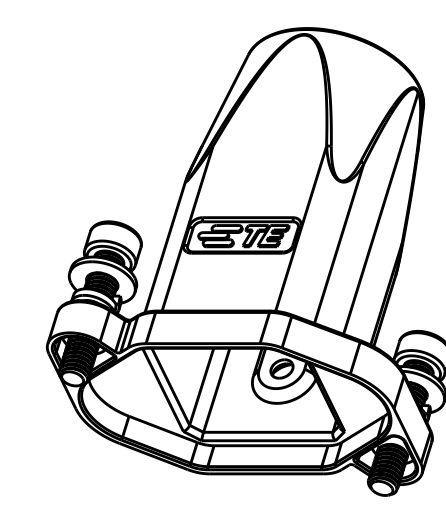
THIS DRAWING IS UNPUBLISHED. RELEASED FOR PUBLICATION 20
© COPYRIGHT 20 BY - ALL RIGHTS RESERVED.

| REVISIONS | | | | | |
|-----------|-----|---------------|-----------|-----|------|
| P | LTR | DESCRIPTION | DATE | DWN | APVD |
| | A | INITIAL | 27MAY2015 | DL | CW |
| | B | ECR-16-010176 | 13JUL2016 | CH | CW |
| | B1 | ECR-16-014287 | 11OCT2016 | QY | CW |
| | B2 | ECR-17-010637 | 25JUL2017 | QY | CW |




NOTES:
 1. TECHNICAL CHARACTERISTICS:
 HOOD MATERIAL: DIE CAST ZINC ALLOY
 SURFACE: SEE TABLE
 DEGREE OF PROTECTION: IP68 (MATED)

注释:
 1. 技术参数:
 壳体材料: 锌合金
 表面处理: 见表格
 防护等级: IP68(配合)



TYPE-1: TE LOGO
 类型-1: TE LOGO

| | | | | | |
|---|--|--------------------------|---|------------------------------|-----------------------|
| THIS DRAWING IS A CONTROLLED DOCUMENT. | | DWN DAVID.LI 27MAY2015 |  TE Connectivity | | |
| DIMENSIONS: mm | | CHK CHRIS.WANG 27MAY2015 | | | NAME H3APR-MTGSW-PG/M |
| TOLERANCES UNLESS OTHERWISE SPECIFIED: | | APVD XU.XIANG 27MAY2015 | | | |
| 0 PLC ±- 1 PLC ±- 2 PLC ±- 3 PLC ±- 4 PLC ±- ANGLES ±- | | PRODUCT SPEC 108-137011 | | | |
| MATERIAL - | | FINISH - | APPLICATION SPEC 114-137011 | SIZE A3 | |
| | | | WEIGHT - | CAGE CODE - | |
| | | | CUSTOMER DRAWING | DRAWING NO. C-T192703XXXX000 | |
| | | | | RESTRICTED TO - | |
| | | | | SCALE 3:2 | |
| | | | | SHEET 1 OF 2 | |
| | | | | REV B2 | |

THIS DRAWING IS UNPUBLISHED.

RELEASED FOR PUBLICATION

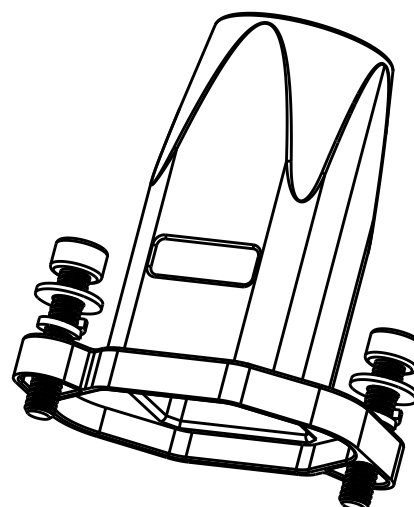
20

© COPYRIGHT 20 BY -

ALL RIGHTS RESERVED.

REVISIONS

| P | LTR | DESCRIPTION | DATE | DWN | APVD |
|---|-----|-------------|------|-----|------|
| - | | SEE SHEET 1 | - | - | - |
| | | | | | |
| | | | | | |



NOTES:
SEE SHEET 1

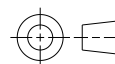
TYPE-2:NO LOGO,ALL THE DIMENSION ARE THE SAME WITH TYPE-1,EXCEPT LOGO.
类 型 - 2 : 无 LOGO , 除了LOGO所有的尺寸与类型 - 1 一致 .

| | | | | |
|-------------------|------------------------|---|-------------------------|----------------|
| T1927032120-000 | H3APR-MTGSW-M20 | H3APR HOOD,DIAGONAL INNER-HEX SCREW LOCKING, TOP ENTRY M20,POWDER COATED,DEEP GREY,NO LOGO H3APR上壳,内六角螺丝对角锁定,顶出M20,(深灰色)粉末喷涂,无LOGO | M20X1.5 | TYPE-2 类型-2 |
| T1927030120-000 | H3APR-MTGSW-M20 | H3APR HOOD,DIAGONAL INNER-HEX SCREW LOCKING, TOP ENTRY M20,POWDER COATED,BLACK H3APR上壳,内六角螺丝对角锁定,顶出M20,黑色粉末喷涂 | M20X1.5 | TYPE-1 类型-1 |
| T1927030113-000 | H3APR-MTGSW-PG13.5 | H3APR HOOD,DIAGONAL INNER-HEX SCREW LOCKING, TOP ENTRY PG13.5,POWDER COATED,BLACK H3APR上壳,内六角螺丝对角锁定,顶出PG13.5,黑色粉末喷涂 | PG13.5 | |
| T1927031120-000 | H3APR-MTGSW-M20 | H3APR HOOD,DIAGONAL INNER-HEX SCREW LOCKING, TOP ENTRY M20,POWDER COATED,SILVER WHITE H3APR上壳,内六角螺丝对角锁定,顶出M20,银白色粉末喷涂 | M20X1.5 | |
| T1927031113-000 | H3APR-MTGSW-PG13.5 | H3APR HOOD,DIAGONAL INNER-HEX SCREW LOCKING, TOP ENTRY PG13.5,POWDER COATED,SILVER WHITE H3APR上壳,内六角螺丝对角锁定,顶出PG13.5,银白色粉末喷涂 | PG13.5 | |
| PART NUMBER 料号 | PART DESCRIPTION 描述 | | PG/M THREAD PG/M 螺纹孔 | TYPE 类型 |

THIS DRAWING IS A CONTROLLED DOCUMENT.

DIMENSIONS:

mm



TOLERANCES UNLESS OTHERWISE SPECIFIED:

| | |
|--------|----|
| 0 PLC | ±- |
| 1 PLC | ±- |
| 2 PLC | ±- |
| 3 PLC | ±- |
| 4 PLC | ±- |
| ANGLES | ±- |

MATERIAL

FINISH

DWN 27MAY2015

DAVID.LI

CHK 27MAY2015

CHRIS.WANG

APVD 27MAY2015

XU.XIANG

PRODUCT SPEC

108-137011

APPLICATION SPEC

114-137011

WEIGHT

-

CUSTOMER DRAWING



TE Connectivity

NAME
H3APR-MTGSW-PG/M

SIZE CAGE CODE DRAWING NO RESTRICTED TO

A3 - ©T192703XXXX000 -

SCALE 3:2 SHEET 2 OF 2 REV B2