

4

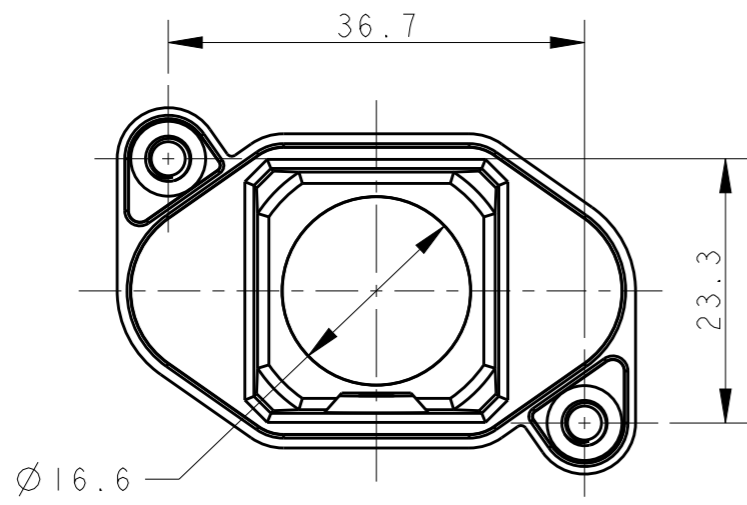
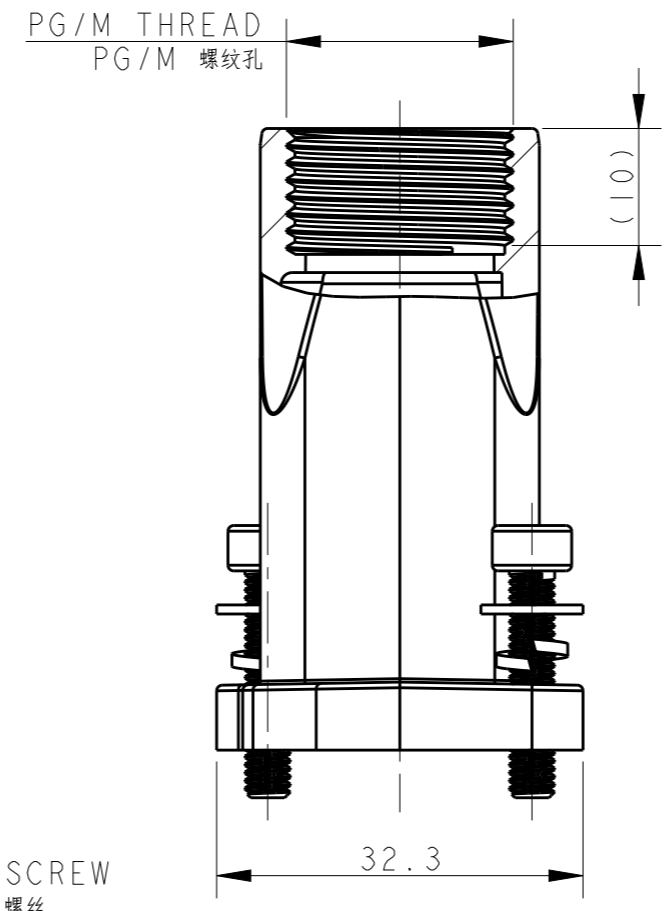
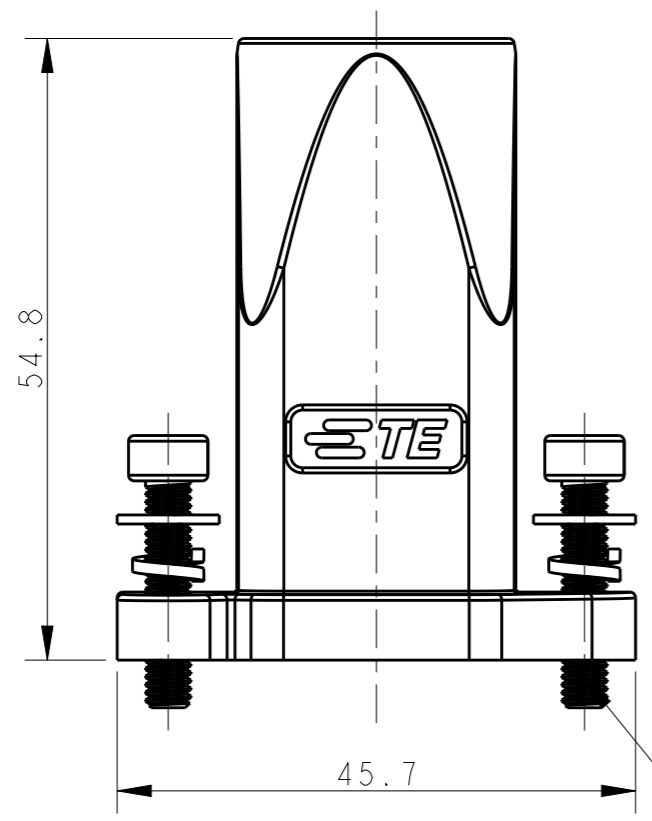
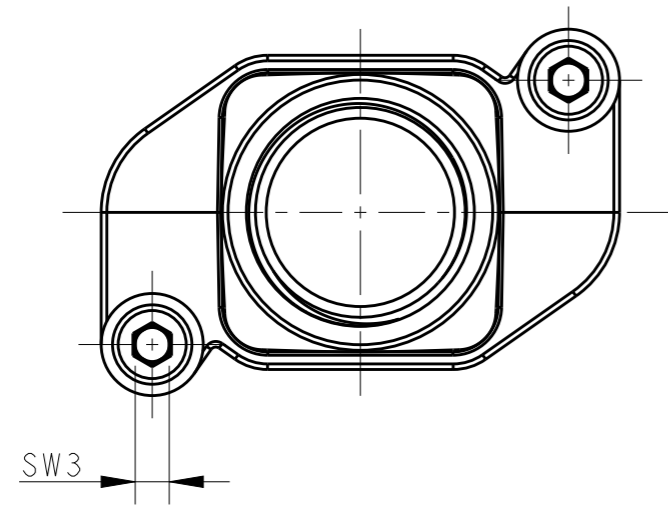
3

2

1

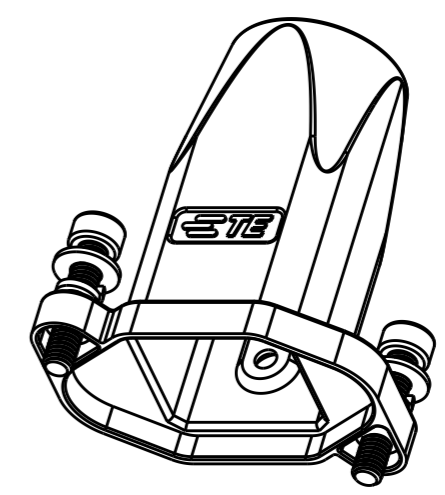
THIS DRAWING IS UNPUBLISHED. RELEASED FOR PUBLICATION 20
© COPYRIGHT 20 BY - ALL RIGHTS RESERVED.

REVISIONS					
P	LTR	DESCRIPTION	DATE	DWN	APVD
	A	INITIAL	27MAY2015	DL	CW
	B	ECR-16-010176	13JUL2016	CH	CW
	B1	ECR-16-014287	11OCT2016	QY	CW
	B2	ECR-17-010637	25JUL2017	QY	CW



NOTES:
 1. TECHNICAL CHARACTERISTICS:
 HOOD MATERIAL: DIE CAST ZINC ALLOY
 SURFACE: SEE TABLE
 DEGREE OF PROTECTION: IP68 (MATED)

注释:
 1. 技术参数:
 壳体材料: 锌合金
 表面处理: 见表格
 防护等级: IP68(配合)



TYPE-1: TE LOGO
 类型-1: TE LOGO

THIS DRAWING IS A CONTROLLED DOCUMENT.		DWN DAVID.LI 27MAY2015	TE Connectivity	
		CHK CHRIS.WANG 27MAY2015		
		APVD XU.XIANG 27MAY2015	NAME H3APR-MTGSW-PG/M	
DIMENSIONS: mm		PRODUCT SPEC 108-137011	RESTRICTED TO	
TOLERANCES UNLESS OTHERWISE SPECIFIED:		APPLICATION SPEC 114-137011	SIZE A3	CAGE CODE -
0 PLC ±- 1 PLC ±- 2 PLC ±- 3 PLC ±- 4 PLC ±- ANGLES ±-		WEIGHT -	DRAWING NO. C-T192703XXXX000	
MATERIAL -		FINISH -	SCALE 3:2	
		CUSTOMER DRAWING	SHEET 1 OF 2	
			REV B2	

THIS DRAWING IS UNPUBLISHED.

RELEASED FOR PUBLICATION

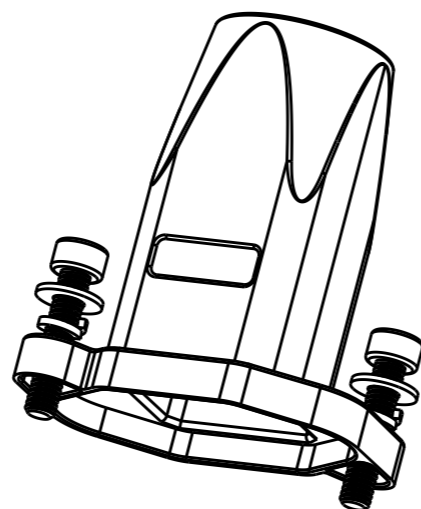
20

© COPYRIGHT 20 BY -

ALL RIGHTS RESERVED.

REVISIONS

P	LTR	DESCRIPTION	DATE	DWN	APVD
-		SEE SHEET 1	-	-	-



NOTES:
SEE SHEET 1

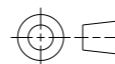
TYPE-2:NO LOGO,ALL THE DIMENSION ARE THE SAME WITH TYPE-1,EXCEPT LOGO.
类 型 - 2 : 无 LOGO , 除了LOGO所有的尺寸与类型 - 1 一致 .

T1927032120-000	H3APR-MTGSW-M20	H3APR HOOD,DIAGONAL INNER-HEX SCREW LOCKING, TOP ENTRY M20,POWDER COATED,DEEP GREY,NO LOGO H3APR上壳,内六角螺丝对角锁定,顶出M20,(深灰色)粉末喷涂,无LOGO	M20X1.5	TYPE-2 类型-2
T1927030120-000	H3APR-MTGSW-M20	H3APR HOOD,DIAGONAL INNER-HEX SCREW LOCKING, TOP ENTRY M20,POWDER COATED,BLACK H3APR上壳,内六角螺丝对角锁定,顶出M20,黑色粉末喷涂	M20X1.5	TYPE-1 类型-1
T1927030113-000	H3APR-MTGSW-PG13.5	H3APR HOOD,DIAGONAL INNER-HEX SCREW LOCKING, TOP ENTRY PG13.5,POWDER COATED,BLACK H3APR上壳,内六角螺丝对角锁定,顶出PG13.5,黑色粉末喷涂	PG13.5	
T1927031120-000	H3APR-MTGSW-M20	H3APR HOOD,DIAGONAL INNER-HEX SCREW LOCKING, TOP ENTRY M20,POWDER COATED,SILVER WHITE H3APR上壳,内六角螺丝对角锁定,顶出M20,银白色粉末喷涂	M20X1.5	
T1927031113-000	H3APR-MTGSW-PG13.5	H3APR HOOD,DIAGONAL INNER-HEX SCREW LOCKING, TOP ENTRY PG13.5,POWDER COATED,SILVER WHITE H3APR上壳,内六角螺丝对角锁定,顶出PG13.5,银白色粉末喷涂	PG13.5	
PART NUMBER 料号	PART DESCRIPTION 描述		PG/M THREAD PG/M 螺纹孔	TYPE 类型

THIS DRAWING IS A CONTROLLED DOCUMENT.

DIMENSIONS:

mm



TOLERANCES UNLESS OTHERWISE SPECIFIED:

0 PLC	±-
1 PLC	±-
2 PLC	±-
3 PLC	±-
4 PLC	±-
ANGLES	±-

MATERIAL

FINISH

DWN 27MAY2015

DAVID.LI

CHK 27MAY2015

CHRIS.WANG

APVD 27MAY2015

XU.XIANG

PRODUCT SPEC

108-137011

APPLICATION SPEC

114-137011

WEIGHT

-

CUSTOMER DRAWING



TE Connectivity

NAME
H3APR-MTGSW-PG/M

SIZE CAGE CODE DRAWING NO RESTRICTED TO

A3 - C-T192703XXXX000 -

SCALE 3:2 SHEET 2 OF 2 REV B2