

Microphone coupon board based on the MP34DT06J digital MEMS



Features

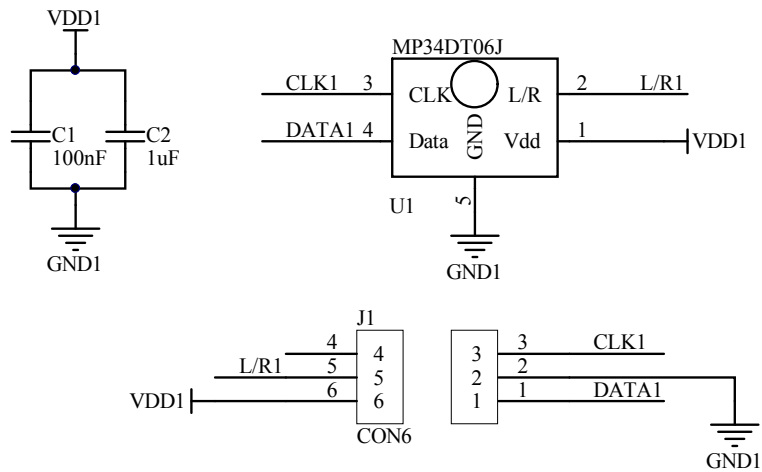
- 4 x MP34DT06J top port digital MEMS microphones
- Daughterboard to be used with X-NUCLEO-CCA02M1
- Vsupply from 1.6 to 3.6 V
- 122.5 dB SPL acoustic overload point
- Omnidirectional sensitivity
- PDM single-bit output
- 64 dB of SNR
- Sensitivity -26 dBFS ±1dB
- RoHS compliant

Description

The STEVAL-MIC002V1 daughterboard is designed to be used in conjunction with the X-NUCLEO-CCA02M1 expansion board; it is able to export the four additional PDMs for any user application requirement (NBW algorithm detection).

Summary table	
Microphone coupon board based on the MP34DT06J digital	STEVAL-MIC002V1
Digital MEMS microphones expansion board based on MP34DT01-M for STM32 Nucleo	X-NUCLEO-CCA02M1
Ultra-compact, low-power, omnidirectional, digital MEMS microphone built with a capacitive sensing element and an IC interface	MP34DT06J

1 Schematic diagram

Figure 1. STEVAL-MIC002V1 circuit schematic


Revision history

Table 1. Document revision history

Date	Version	Changes
06-Jun-2018	1	Initial release.

IMPORTANT NOTICE – PLEASE READ CAREFULLY

STMicroelectronics NV and its subsidiaries (“ST”) reserve the right to make changes, corrections, enhancements, modifications, and improvements to ST products and/or to this document at any time without notice. Purchasers should obtain the latest relevant information on ST products before placing orders. ST products are sold pursuant to ST’s terms and conditions of sale in place at the time of order acknowledgement.

Purchasers are solely responsible for the choice, selection, and use of ST products and ST assumes no liability for application assistance or the design of Purchasers’ products.

No license, express or implied, to any intellectual property right is granted by ST herein.

Resale of ST products with provisions different from the information set forth herein shall void any warranty granted by ST for such product.

ST and the ST logo are trademarks of ST. All other product or service names are the property of their respective owners.

Information in this document supersedes and replaces information previously supplied in any prior versions of this document.

© 2018 STMicroelectronics – All rights reserved