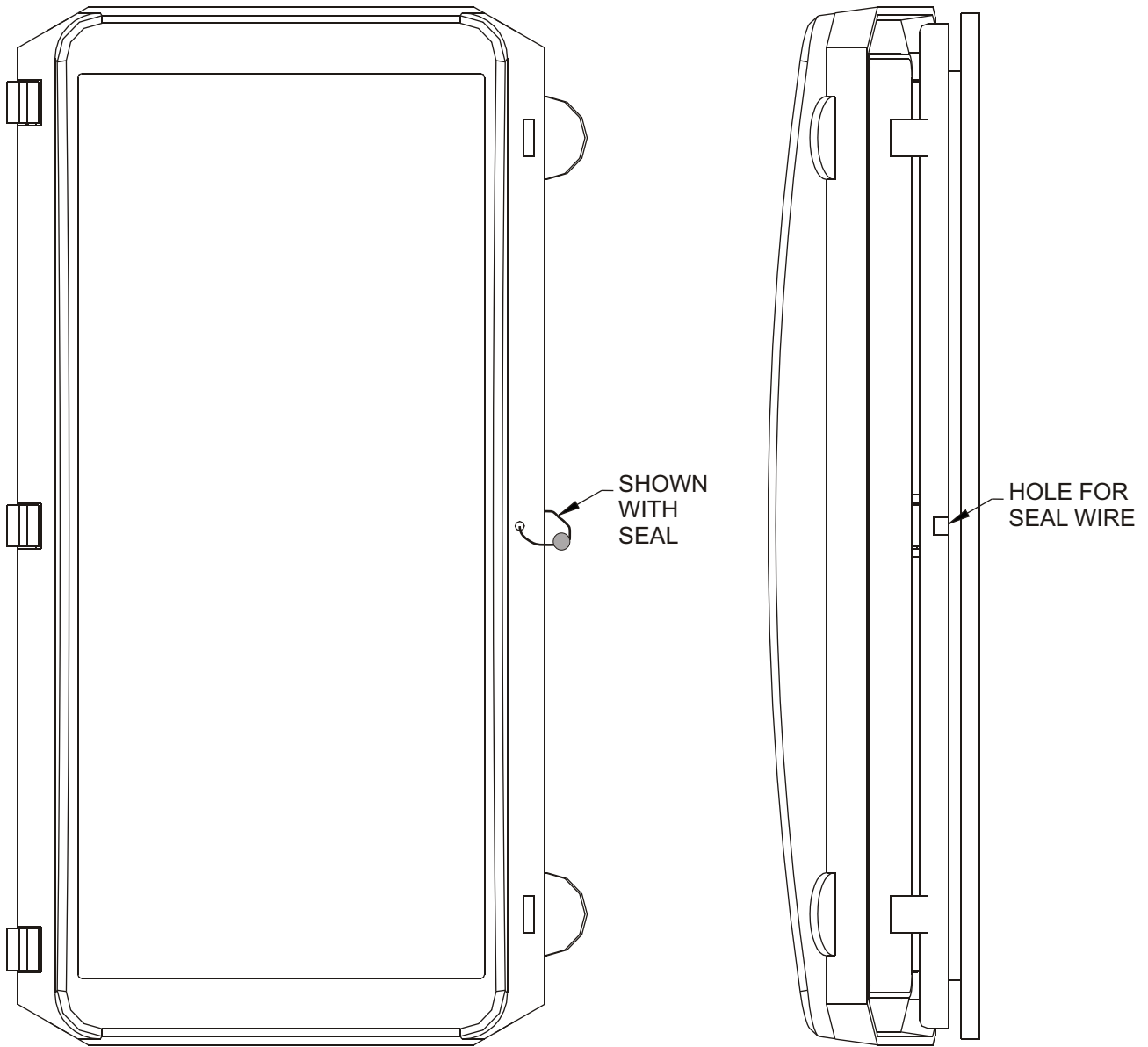


INSERT MONITOR/RELAY THROUGH OPENING OF THE WEATHERPROOF WINDOW, UNTIL IT IS SECURELY NESTED TO THE BACK OF THE DARK GREY PVC PANEL.

INSTALL O-RING INTO THE GROOVE IN THE REAR OF WEATHERPROOF WINDOW ASSEMBLY.

INSERT ASSEMBLY INTO PANEL AND FASTEN WITH THE HARDWARE PROVIDED WITH MONITOR/RELAY.

## SE-IP65CVR-G - SE-330/134/135/400 WEATHERPROOF COVER INSTALLATION INSTRUCTIONS



WEATHERPROOF COVER SNAPS CLOSED.

TO PREVENT UNAUTHORIZED ENTRY:

1. USE WIRE SEAL THROUGH HOLES IN WEATHERPROOF COVER ASSEMBLY, OR
2. SECURE WITH THE PLASTIC THREAD FORMING SCREW SUPPLIED IN KIT.