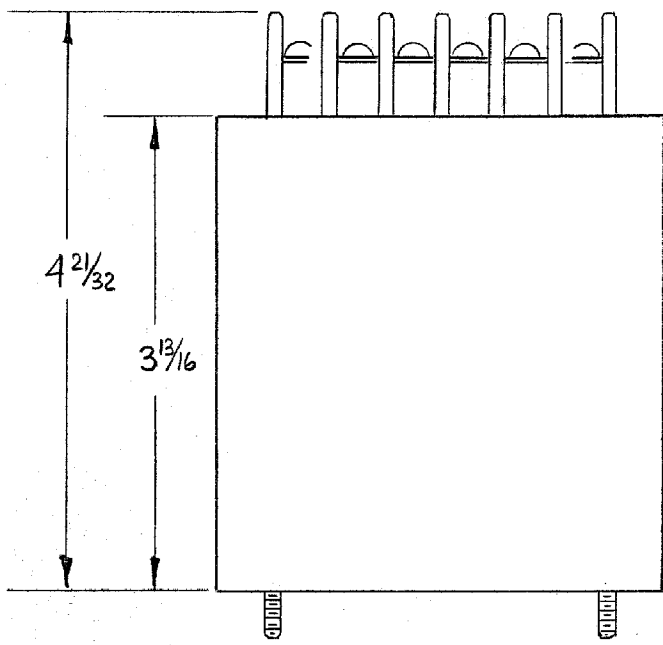
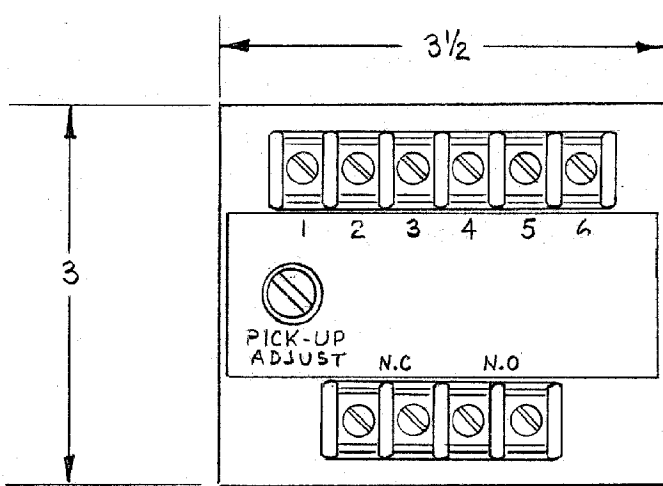


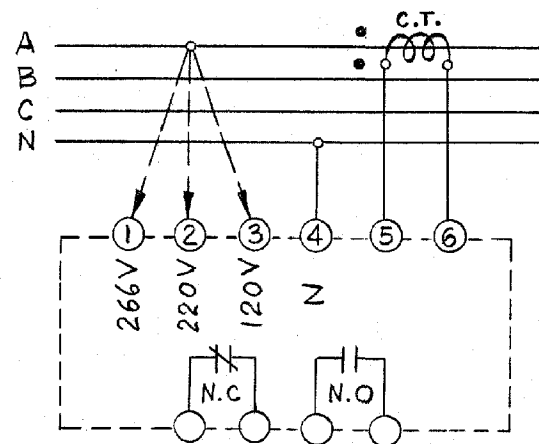
REVISIONS				
ZONE	LTR	DESCRIPTION	DATE	APPROVED



**CONNECTIONS**

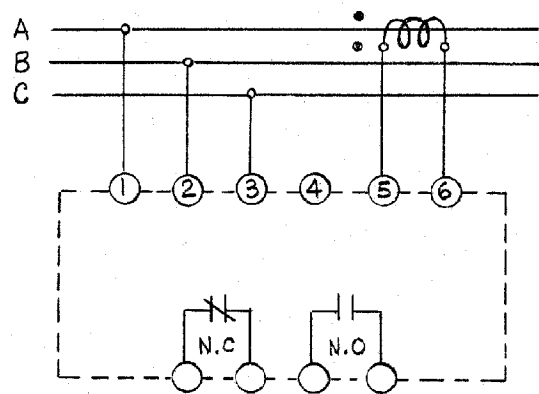
**A. MODEL 710 (OR MODEL 710X)**

THIS MODEL IS DESIGNED FOR 120V, 220V OR 266V LINE TO NEUTRAL CONNECTION.



**B. MODELS 720(X) THRU 724 (X)**

FOR USE WITH THREE PHASE THREE WIRE SYSTEMS.



**SPECIFICATIONS**

LINE VOLTAGE:

A. THE MODEL 710 (X) IS DESIGNED FOR 120V, 220V OR 266V LINE TO NEUTRAL SENSING.

B. THE TABLE BELOW PROVIDES A LIST OF AVAILABLE MODELS FOR THREE PHASE SENSING.

LINE FREQUENCY: 50 - 500 HZ.

CURRENT REQUIREMENTS: 0 TO 5 AMP. MAX., DIRECT OR FROM C.T.

OPERATION: THE SELF CONTAINED OUTPUT RELAY ACTUATES WHEN REVERSE POWER FLOW EXCEEDS THE PRE-SET VALUE.

TRIP ADJUSTMENT: SCREWDRIVER ADJUSTABLE 4% TO 20% (OF THE 5 AMP. RESISTIVE RATING).

OUTPUT CONTACTS: ONE SET N.C., ONE SET N.O.

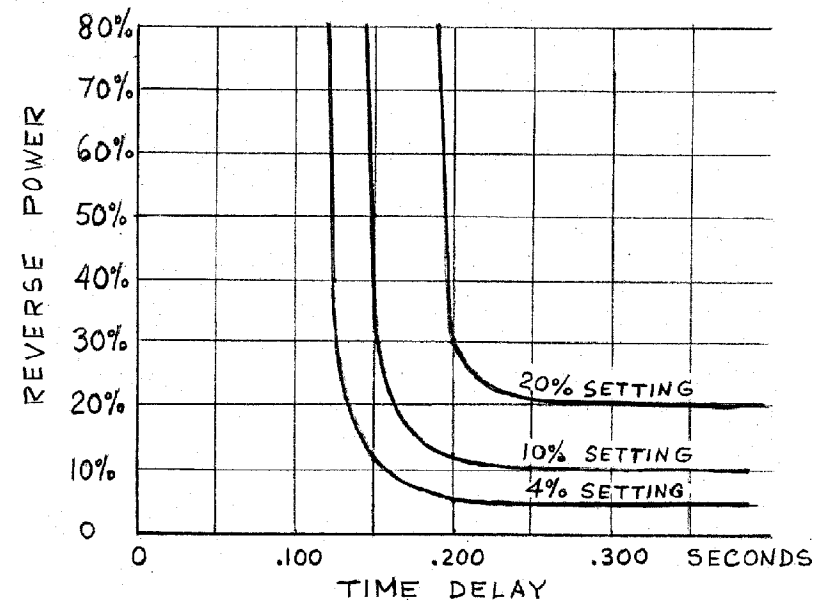
CONTACT RATING: 5 AMP RESISTIVE AT 120VAC OR 28VDC. POWER CONSUMPTION:

VOLTAGE CIRCUIT: 2VA MAX.

CURRENT CIRCUIT: 4VA MAX.

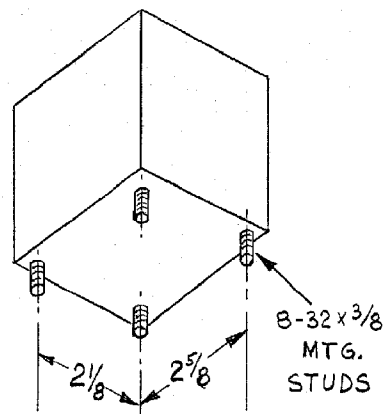
CONSTRUCTION: SOLID STATE SENSOR WITH RELAY OUTPUT ENCLOSED IN A SEALED STEEL CAN.

NOTE: CLOCKWISE ROTATION OF THE PICK-UP ADJUSTMENT WILL RAISE THE REVERSE POWER TRIP POINT. REMOVE SCREW FOR ACCESS TO THE PICK-UP ADJUSTMENT.

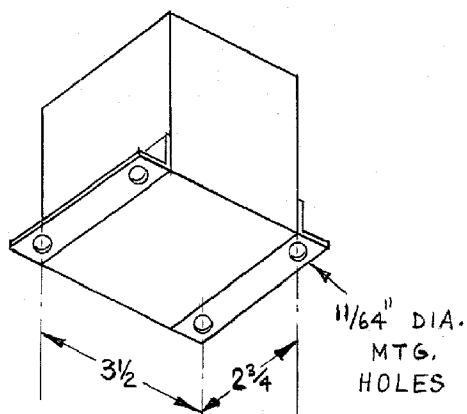


MODEL	INPUT VOLTAGE, 3φ
720 (X)	120 VOLTS, L-L
721 (X)	230 VOLTS, L-L
722 (X)	380 VOLTS, L-L
723 (X)	460 VOLTS, L-L
724 (X)	575 VOLTS, L-L

**MOUNTING CONFIGURATIONS**



**STUD MOUNTING**  
MODEL 710  
MODELS 720 THRU 724



**BRACKET MOUNTING (SUFFIX "X")**  
MODEL 710 X  
MODELS 720 X THRU 724 X

UNLESS OTHERWISE SPECIFIED DIMENSIONS ARE IN INCHES	
TOLERANCES ON FRACTIONS DECIMALS ANGLES	
± 1/32	± .010 ± 1/2°
BREAK ALL SHARP EDGES .015 MAX. AND DEBURR	
MATERIAL:	
NEXT ASSY	USED ON
APPLICATION	

QTY REQD	SYM	DESCRIPTION	CODE IDENT NO.	PART NO.	SPEC	MATERIAL OR NOTE	ITEM NO.
LIST OF MATERIAL							
CONTRACT NO.				WILMAR			
DRAWN E.R.H. 10-20-76				ELECTRONICS, INC. TORRANCE, CALIFORNIA			
CHECKED Z.Ch. 10/20/76				TITLE			
DESIGN APPROVAL				REVERSE POWER RELAY			
PROJECT APPROVAL T.M. 10-21-76				710 AND 720 SERIES			
DESIGN ACTIVITY APPROVAL				SIZE	CODE IDENT NO.	DWG NO.	
APPROVAL				C	25248	21-313	
				SCALE	WEIGHT	SHEET	