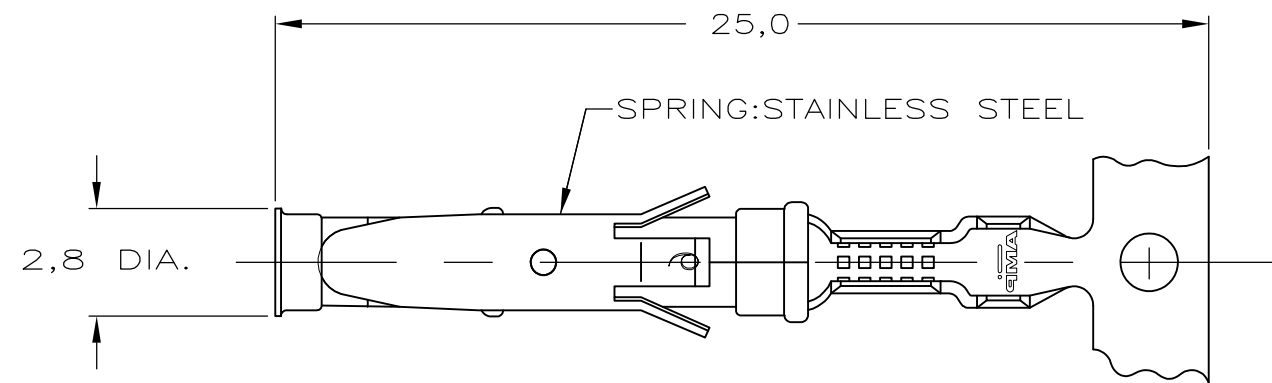
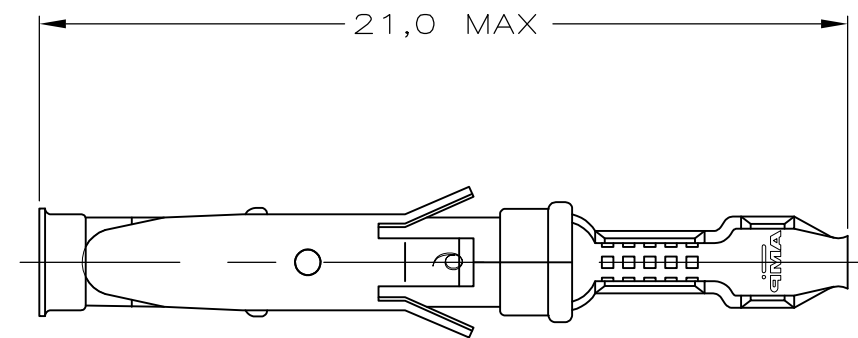


THIS DRAWING IS UNPUBLISHED. RELEASED FOR PUBLICATION  
 © COPYRIGHT - By - ALL RIGHTS RESERVED.

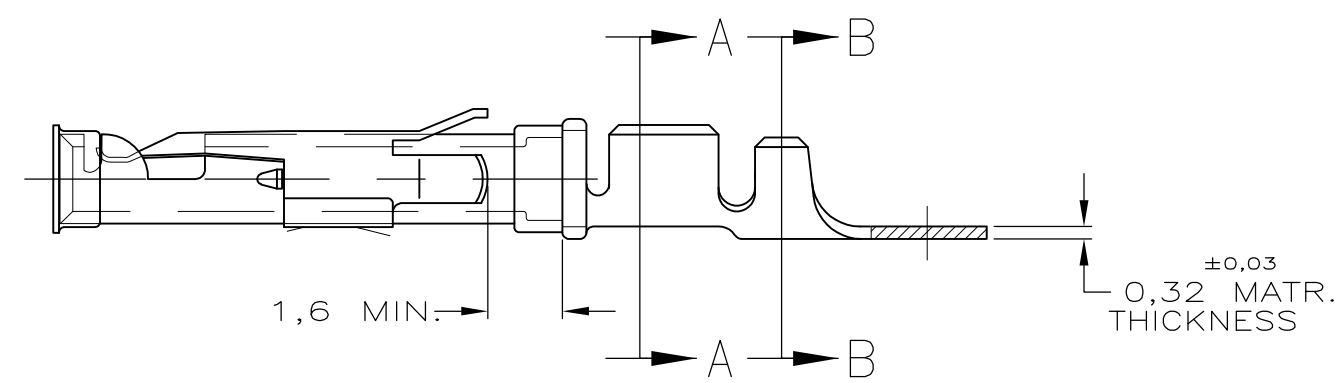
| LOC | DIST | REVISIONS |     |  |            |     |      |
|-----|------|-----------|-----|--|------------|-----|------|
|     |      | P         | LTR | DESCRIPTION  | DATE       | DWN | APVD |
| -   | -    |           | AZ2 | ADDITION OF NOTE 7, TEXT "MAX" TO DIM 21.0 IN ZONE D2 AND TEXT "REF" DIM 3.0, 2.8, 3.7, & 3.0 IN ZONE B4 & B3. | 21JULY2015 | TJ  | PS   |



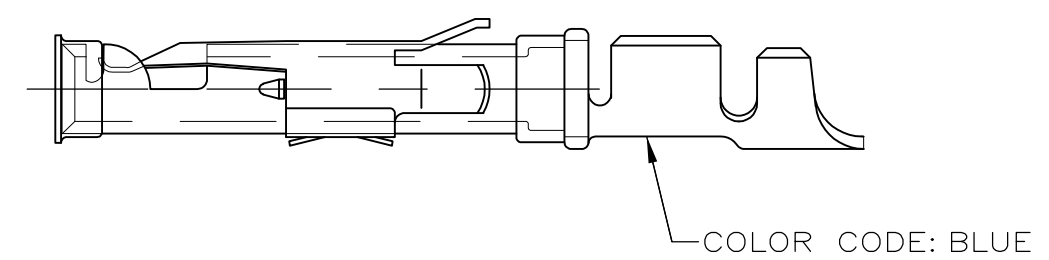
STRIP



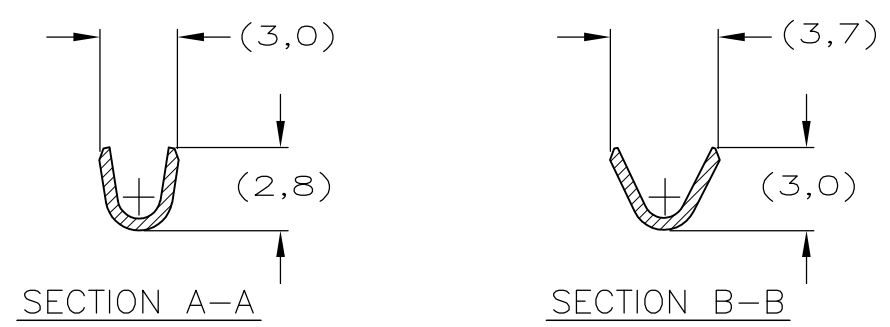
LOOSE-PIECE



±0,03  
0,32 MATR.  
THICKNESS

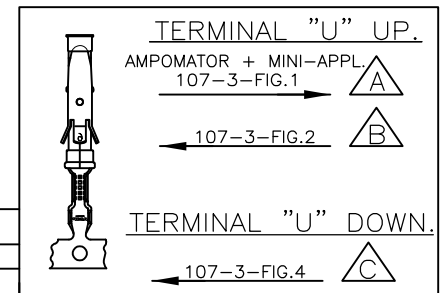


COLOR CODE: BLUE



WIRE RANGE : 0,75-1,50 mm<sup>2</sup> (18-16 AWG)  
 INSUL. RANGE : 2,0-2,5 mm (.080-.100)

| △ OBSOLETE | △ | △                  | △                        | △                  | △               | △              |
|------------|---|--------------------|--------------------------|--------------------|-----------------|----------------|
|            | 4 | 5-163083-3         | C                        | 1-163084-4         | BRASS           | ECON.GOLD 21   |
|            | 4 | 5-163083-2         | C                        |                    | BRASS           | SEL.GOLD 22    |
|            | 4 | 5-163083-1         | C                        |                    | BRASS           | EL.TIN 20      |
|            |   | 1-163083-4         | A                        | 1-163084-4         | BRASS           | EL.TIN 31 20   |
| △ OBSOLETE |   | 1-163083-3         | A                        | 1-163084-3         | BRASS           | BR.TIN 30      |
|            |   | 1-163083-2         | A                        |                    | BRASS           | SILVER 28      |
|            |   | 1-163083-1         | A                        |                    | BRASS           | ECON.GOLD 21   |
|            |   | 1-163083-0         | B                        | 1-163084-0         | BRASS           | ECON.GOLD 21   |
|            |   | 163083-9           | B                        |                    | BRASS           | SILVER 28      |
|            |   | 163083-8           | A                        |                    | BRASS           | EL.TIN 20      |
|            |   | 163083-7           | A                        |                    | BRASS           | SEL.GOLD 22    |
|            | 1 | 163083-2           | B                        | 163084-2           | BRASS           | SEL.GOLD 22    |
|            | 1 | 163083-1           | B                        | 163084-1           | BRASS           | EL.TIN 20      |
|            |   | <b>PART NUMBER</b> | <b>DIRECTION OF REEL</b> | <b>LOOSE-PIECE</b> | <b>MATERIAL</b> | <b>PLATING</b> |



- NOTES :
- 1 UL RECOGNIZED UNDER E28476 VOL VI SEC I
  - 2 FOR CRIMP DETAILS SEE SPEC. 114-19000
  - 3 MEETS PRODUCT SPECIFICATION 108-10042
  - 4 SPECIAL REEL WITH 200PCS FOR REEL-FED HAND-TOOL
  - 5 OBSOLETE PARTS: OBSOLETE CIS STREAMLINING PER D.RENAUD/D.SINISI
  - 6 OBSOLETE
  - 7 OMISSION OF 6 CONTACTS MAX PER REEL OF 5000PCS
  - 31 LUBRICATED

| NOTES | MATERIAL          | THICKNESS  | AREA                           |
|-------|-------------------|------------|--------------------------------|
| 20    | TIN               | 2,0 μm     | ALL OVER                       |
| 21    | NICKEL GOLD TIN   | 0,8 μm     | ALL OVER CONTACT AREA BARREL   |
| 22    | NICKEL GOLD GOLD  | 0,8 μm     | ALL OVER CONTACT AREA ALL OVER |
| 23    | NICKEL GOLD GOLD  | 1,2 μm     | ALL OVER CONTACT AREA ALL OVER |
| 27    | NICKEL SILVER TIN | 2,5 μm     | ALL OVER CONTACT AREA BARREL   |
| 28    | SILVER NICKEL     | 1,5-2,5 μm | ALL OVER                       |
| 29    | SILVER            | 0,76 μm    | ALL OVER                       |
| 30    | NICKEL TIN        | 1,27 μm    | ALL OVER                       |
|       |                   | 1,27 μm    | ALL OVER                       |

THIS DRAWING IS A CONTROLLED DOCUMENT.

| DIMENSIONS: | TOLERANCES UNLESS OTHERWISE SPECIFIED: |
|-------------|--|
| mm          | 0 PLC ± -                              |
|             | 1 PLC ± -                              |
|             | 2 PLC ± -                              |
|             | 3 PLC ± -                              |
|             | 4 PLC ± -                              |
|             | ANGLES ± -                             |
|             | FINISH ± -                             |
| MATERIAL    | REFER TABLE                            |
| REFER TABLE | REFER TABLE                            |

|                  |               |            |
|------------------|---------------|------------|
| DWN              | M THAJUDEEN   | 21JULY2015 |
| CHK              | GANI NIMBENNA | 21JULY2015 |
| APVD             | PRASHANTH S   | 21JULY2015 |
| PRODUCT SPEC     | 108-10042     |            |
| APPLICATION SPEC | 114-19000     |            |
| WEIGHT           | -             |            |
| CUSTOMER DRAWING |               |            |

**STE** TE Connectivity

TYPE III+, SIZE 16, SOCKET ASS'Y,  
18-16 AWG, 2.0-2.5mm DIA INSULATION

|      |           |            |               |
|------|-----------|------------|---------------|
| SIZE | CAGE CODE | DRAWING NO | RESTRICTED TO |
| A3   | 00779     | C-163083   | -             |

SCALE - SHEET 1 OF 1 REV AZ2