



THREE FLANGE DUAL PRIMARY 5.0VA PC BOARD POWER TRANSFORMER

REV. Status

REVISION - 10/22/99 TS
REVISION A CHANGED F SEE PG. 2 11/22/99 TS
REVISION B CHANGED HI-POT, SAFETY AND SCHEMATIC. 05/21/01 MP
REVISION C REV'D HI-POT 09/20/04 MP
REVISION D ADDED RoHS & UPDATED LABEL 01/26/06 MP
REVISION E CHG TUV FILE # WAS 810/89 (EN60950 & VDE 0551). CLARIFIED PIN OUTS 04/19/07 YS
REVISION F UPDATED SAFETY 11/15/07 YS
REVISION G UPDATED SAFETY 10/19/12 MP
REVISION H SAFETY NOTES ADDED 03/20/13 MP

A. Electrical Specifications (@ 25 °C)

1. Maximum Power; 5.0VA
2. Primary Voltage and Frequency; 115/230VAC 50/60Hz
3. Secondary RMS Rating: See Table A
4. Voltage Regulation; 20% TYP @ full load to no load
5. Temperature Rise(normal op. cond.); 30°C TYP (45°C MAX)
6. A 10% Input Voltage change will proportionally affect transformer sec voltage. The max. allowed wdg temp under abnormal condition is 155°C
7. Insulation Resistance:  
100MΩ MIN @ 500VDC, Pri to Sec, Pri to Core, Sec to Core
8. Dielectric Withstand: 3750Vrms 1 minute @ Pri to Sec  
1500Vrms 1 minute @ Pri to Core, Sec to Core



MODEL NUMBER  
**PL5.0-XX-130B**

B. Marking; includes input and output ratings (per sheet 2)

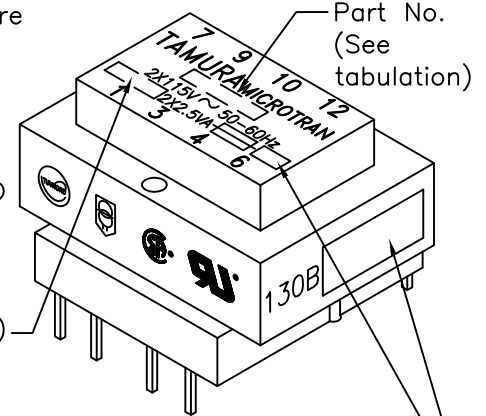
C. Safety:

Conforms to construction requirement of:  
UL5085-1, -2; CSA No. 66.1, 66.2  
(from Datecode 1244 and onwards).  
UL506, UL1411  
UL1446 (CLASS 130(B))  
EN61558-1, -2-6



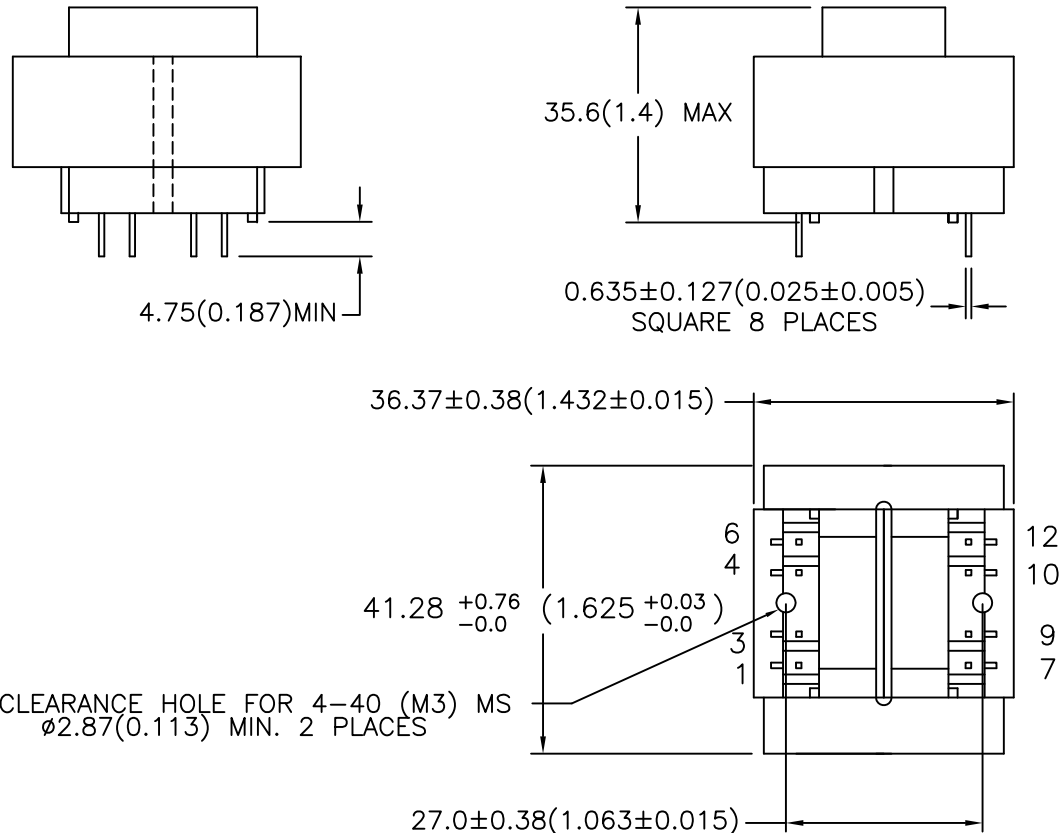
Safety certificate file reference:  
UL E138028, E79781, E92957  
CSA 175561  
TUV (P.S.) 4478013415698

Output  
(See tabulation)



Non short-circuit proof safety isolating transformer.  
Intended for mounting on PCBs and for building into end use-equipment. Fuse rating  
Not intended for series/parallel connection with other transformers. (See tabulation)  
Mounting hardware may reduce spacing in end use application.

D. Mechanical Specifications;



CLEARANCE HOLE FOR 4-40 (M3) MS  
ø2.87(0.113) MIN. 2 PLACES

TOLERANCES (mm)	
≤ 4	± 0.2
4 ≤ 20	± 0.3
20 ≤ 50	± 0.4

PREPARED BY:

Mathi Pitchai

NOTE: BOARD WASHING IS NOT RECOMMENDED FOR THESE PARTS

ENGINEER:  
Mathi Pitchai  
SAFETY ENGINEER  
B. Oconnel  
APPROVED:  
Peter Brune

DWG CONTROL NO. P-A1-12225 ACAD\MXFMR\A1122251.DWG	REV H	POWER TRANSFORMER
<b>TAMURA CORPORATION OF AMERICA</b> 43352 BUSINESS PARK DRIVE, TEMECULA, CA. 92590-6624 (951) 699-1270 FAX 9516769482		

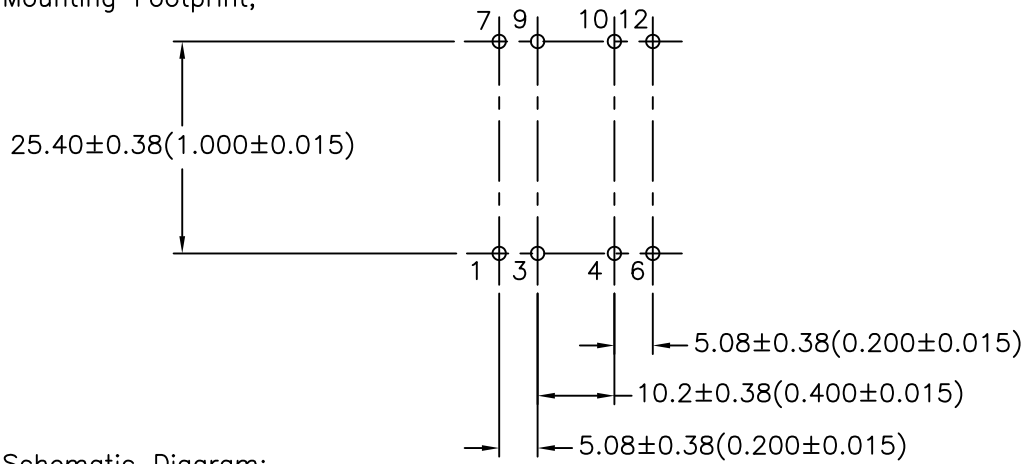
**PL5.0-XX-130B**

MODEL SPECIFICATION

DIM: mm(In) SCL: 1/1 SH: 1 OF 2

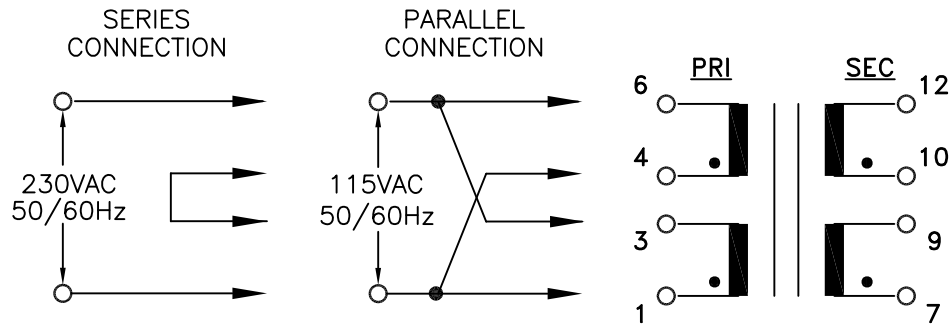
PROPRIETARY NOTICE: THIS DRAWING PRINT OR DOCUMENT AND SUBJECT MATTER DISCLOSED HEREIN ARE PROPRIETARY ITEMS TO WHICH TAMURA RETAINS THE EXCLUSIVE RIGHT OF DISSEMINATION, REPRODUCTION, MANUFACTURE AND SALE. THIS DRAWING, PRINT OR DOCUMENT IS SUBMITTED IN CONFIDENCE FOR CONSIDERATION BY THE RECIPIENT ALONE UNLESS PERMISSION FOR FURTHER DISCLOSURE IS EXPRESSLY GRANTED IN WRITING.

E. Mounting Footprint;

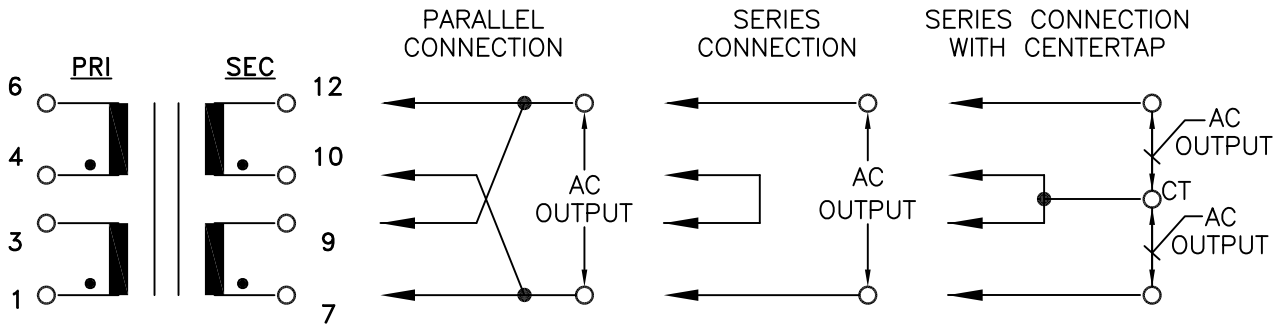


F. Schematic Diagram:

**PRIMARY INPUT CONNECTIONS**



**SECONDARY OUTPUT CONNECTIONS**



G. Table A

T= Time lag

PART NO.	PARALLEL		SERIES		SERIES WITH CT		OUTPUT	SECONDARY FUSE REQ'D EACH WINDING
	AC VOLTS	RMS AMPS	AC VOLTS	RMS AMPS	AC VOLTS	RMS AMPS		
PL5.0-10-130B	5.0	1.00	10.0	0.50	5.0-CT-5.0	0.50	2X5.0V	T 0.50A
PL5.0-12-130B	6.3	0.80	12.6	0.40	6.3-CT-6.3	0.40	2X6.3V	T 0.40A
PL5.0-16-130B	8.0	0.62	16.0	0.31	8.0-CT-8.0	0.31	2X8.0V	T 0.315A
PL5.0-20-130B	10.0	0.50	20.0	0.25	10.0-CT-10.0	0.25	2X10.0V	T 0.25A
PL5.0-24-130B	12.0	0.42	24.0	0.21	12.0-CT-12.0	0.21	2X12.0V	T 0.25A
PL5.0-28-130B	14.0	0.36	28.0	0.18	14.0-CT-14.0	0.18	2X14.0V	T 0.20A
PL5.0-36-130B	18.0	0.28	36.0	0.14	18.0-CT-18.0	0.14	2X18.0V	T 0.16A

PREPARED BY:  
Mathi Pitchai

ENGINEER:  
Mathi Pitchai

SAFETY ENGINEER  
B. Oconnel

APPROVED:  
Peter Brune

DWG CONTROL NO. REV  
P-A1-12225 H  
ACAD\MXFMR\A1122252.DWG

POWER TRANSFORMER

**TAMURA CORPORATION OF AMERICA**  
43352 BUSINESS PARK DRIVE, TEMECULA, CA. 92590-6624  
(951) 699-1270 FAX 9516769482

**PL5.0-XX-130B**

MODEL SPECIFICATION

DIM: mm(In) SCL: 1/1 SH: 2 OF 2

PROPRIETARY NOTICE: THIS DRAWING PRINT OR DOCUMENT AND SUBJECT MATTER DISCLOSED HEREIN ARE PROPRIETARY ITEMS TO WHICH TAMURA RETAINS THE EXCLUSIVE RIGHT OF DISSEMINATION, REPRODUCTION, MANUFACTURE AND SALE. THIS DRAWING, PRINT OR DOCUMENT IS SUBMITTED IN CONFIDENCE FOR CONSIDERATION BY THE RECIPIENT ALONE UNLESS PERMISSION FOR FURTHER DISCLOSURE IS EXPRESSLY GRANTED IN WRITING.