



**BOARD LEVEL COOLING – Push On 3200**

Push On 3200 is a series of circular board level heat sinks designed to cool TO-5 and TO-18 devices. Representative images only.

**ORDERING INFORMATION**

| Part Number   | Device Type |
|---------------|-------------|
| 2227BG        | TO-5        |
| 322400B00000G | TO-18       |
| 322505B00000G | TO-5        |
| 322605B00000G | TO-5        |
| 322805B00000G | TO-5        |

**HEAT SINK DETAILS**

| Property                     | Details       |
|------------------------------|---------------|
| Material                     | Aluminum      |
| Finish                       | Black Anodize |
| Device Attachment Options    | Slide On      |
| Thermal Interface Material   | -             |
| Heat Sink Mounting Direction | Vertical      |

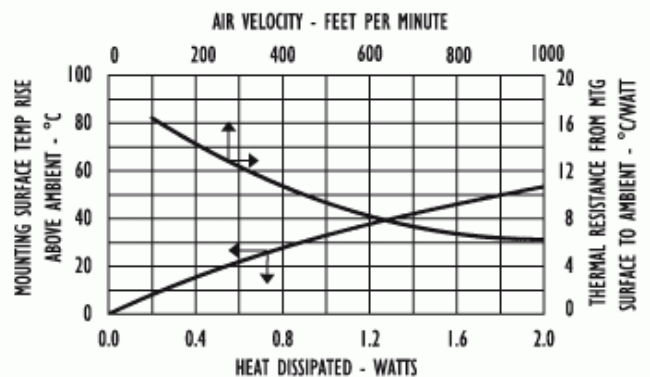
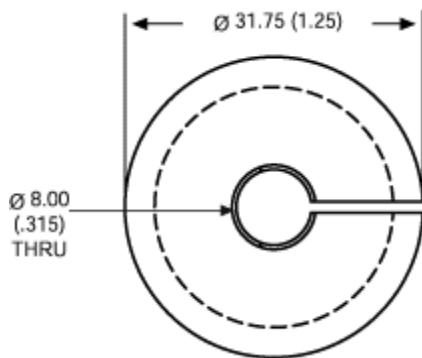


**MECHANICAL & PERFORMANCE**

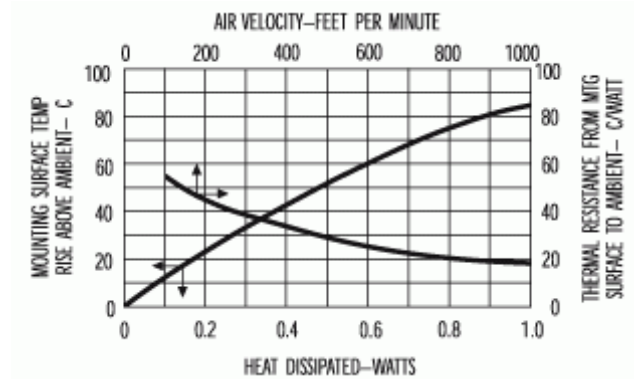
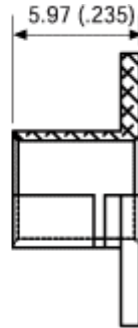
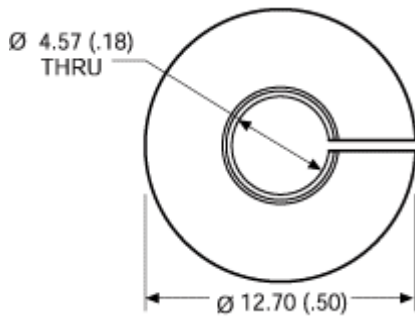
Drawing dimensions are shown in mm, (in)

| Part Number   | Heat Sink Length | Heat Sink Width | Heat Sink Height |
|---------------|------------------|-----------------|------------------|
| 2227BG        | 31.75            | 31.75           | 10.16            |
| 322400B00000G | 12.70            | 12.70           | 5.97             |
| 322505B00000G | 19.05            | 19.05           | 10.16            |
| 322605B00000G | 19.05            | 19.05           | 6.35             |
| 322805B00000G | 22.23            | 22.23           | 13.49            |

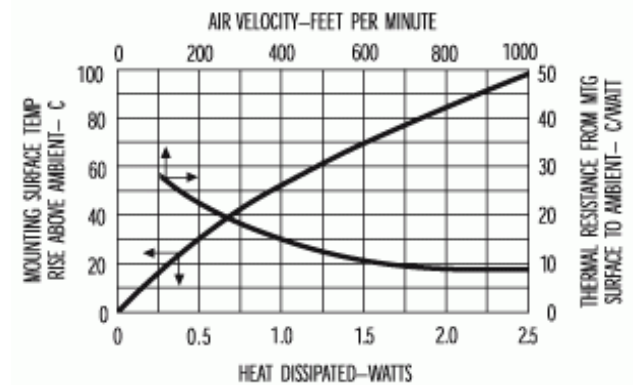
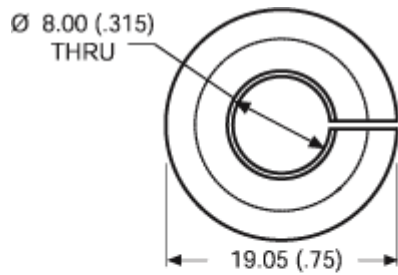
Part Number: 2227BG



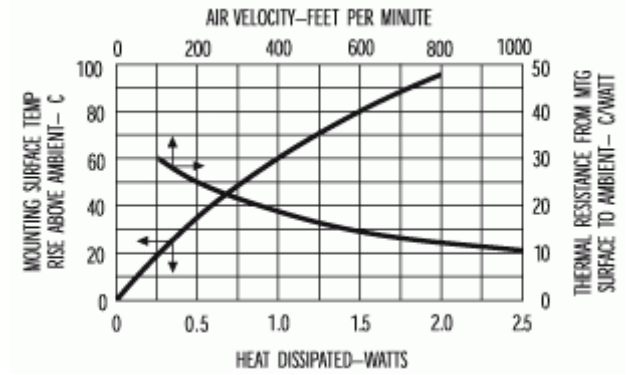
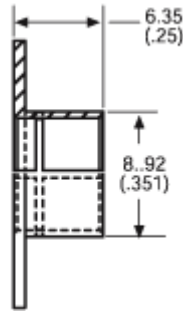
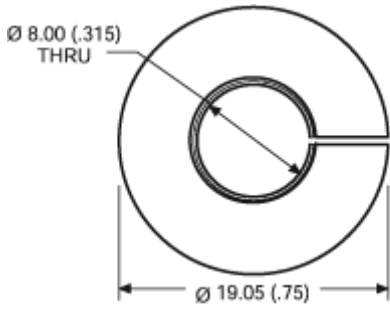
Part Number: 322400B00000G



Part Number: 322505B00000G



Part Number: 322605B00000G



Part Number: 322805B00000G

