



BOARD LEVEL COOLING – Push On 3200

Push On 3200 is a series of circular board level heat sinks designed to cool TO-5 and TO-18 devices. Representative images only.

ORDERING INFORMATION

Part Number	Device Type
2227BG	TO-5
322400B00000G	TO-18
322505B00000G	TO-5
322605B00000G	TO-5
322805B00000G	TO-5

HEAT SINK DETAILS

Property	Details
Material	Aluminum
Finish	Black Anodize
Device Attachment Options	Slide On
Thermal Interface Material	-
Heat Sink Mounting Direction	Vertical

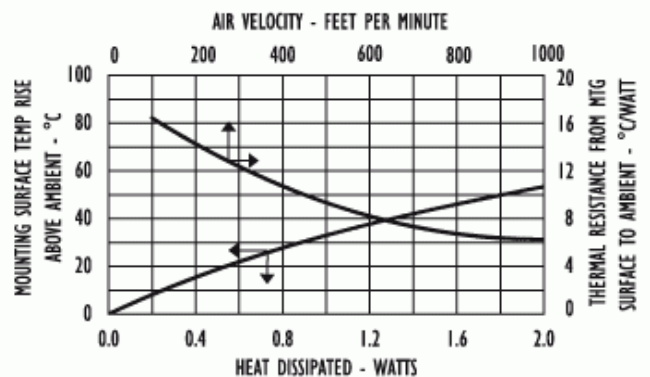
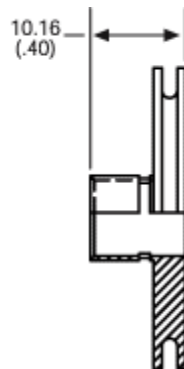
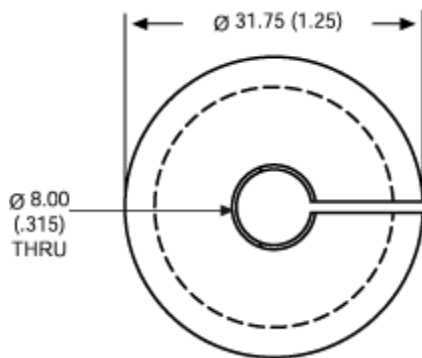


MECHANICAL & PERFORMANCE

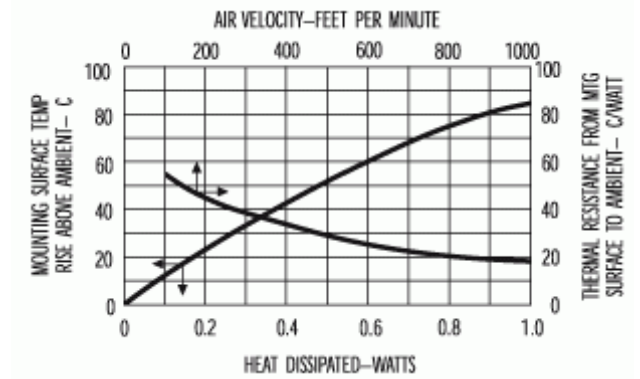
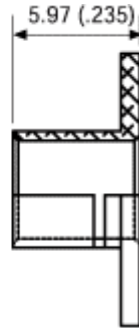
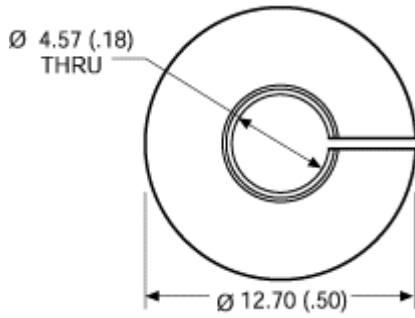
Drawing dimensions are shown in mm, (in)

Part Number	Heat Sink Length	Heat Sink Width	Heat Sink Height
2227BG	31.75	31.75	10.16
322400B00000G	12.70	12.70	5.97
322505B00000G	19.05	19.05	10.16
322605B00000G	19.05	19.05	6.35
322805B00000G	22.23	22.23	13.49

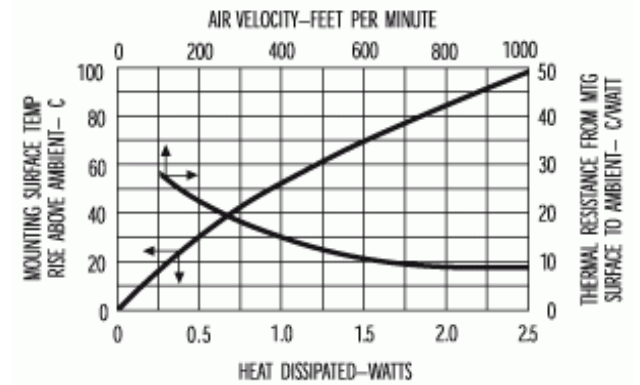
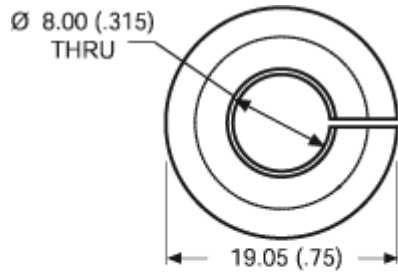
Part Number: 2227BG



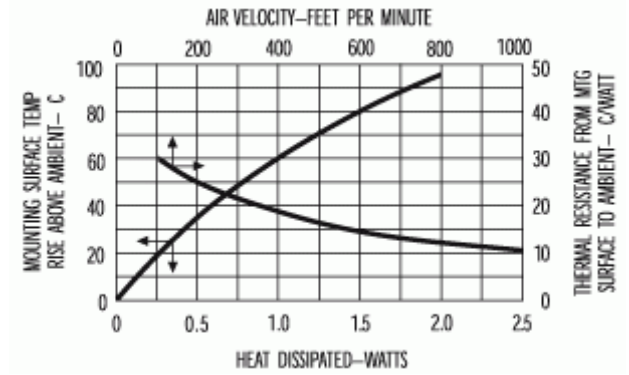
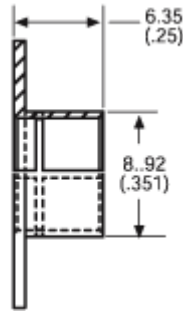
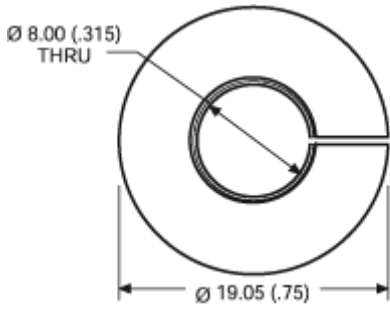
Part Number: 322400B00000G



Part Number: 322505B00000G



Part Number: 322605B00000G



Part Number: 322805B00000G

