



Reliable

Efficient

Intelligent

**Universal, Reliable and Long Lasting. The Power for Wireless, Intelligence, and the Future.**

The Cita Technologies CPWLD 35 is a conservatively rated, highly reliable, all-weather LED driver specifically suited for the modern demands of commercial solid state lighting. A universal input / output design adapts to a wide range of line and string voltages, allowing for worldwide implementation from a single SKU. Fully variable Multiple Dimming Control delivers analog-like smoothness with zero flicker. The additional 12V auxiliary output provides a separate power source for wireless and/or control interfaces. Cita is proud to design and manufacture all of its own LED drivers, and stands behind them with a 5 year limited warranty.

**KEY FEATURES:**

- **Universal Input and Output (100VAC - 305VAC)**
- **12V auxiliary output available for secondary interface**
- **Excellent 0-10V dimming performance with no flicker**
- **Compatible with IEC 60929:2006 - 0-10V ballast controls**
- **Ultra compact design**
- **Product Assurance: 5 Year Limited Warranty**  
(see warranty terms for more information)
- Smooth light output promotes longer LED life
- Fully optimized design produces clean waveforms, reducing noise and stress on components.
- Multiple Dimming control interface and wireless ready
- Fully potted design meets UL IP67
- Highly reliable in wet locations
- Excellent protection features with auto recovery for all conditions
- Long Lifetime Expectancy: >100K hours @ 50°C ambient / full load
- Low standby (Off) power: 0.6W @ 120VAC; 1.5W @ 230VAC

**APPLICATIONS:**

Wide Variety of LED lighting fixtures:

- Indoor and outdoor
- Dimming and non dimming
- Industrial, commercial, and residential
- Remotely power wireless controllers, including Bluetooth™
- Worldwide acceptance
- Wireless mesh network ready



**UL INFORMATION:**

- 35W LED Driver  
CC up to 1050mA, 60VDC  
CV up to 2800mA, 60VDC
- EN60950-1, 2nd Edition, Class 2, IP67
- UL File: E354816

**ORDERING INFORMATION:**

- **CPWLD 35-52U-070A:**  
18-56VDC @ 700mA, Dimming + 100mA AUX
- **CPWLD 35-36U-035B:**  
18-60VDC @ 350mA, Dimming + 200mA AUX
- **CPWLD 35-xxU-yyy(A/B):**  
Custom CC models
- **CPWLD 35-zz-00:**  
Custom CV Models  
zz = 12, 24, 36, 48, 60 or upon request

**CITA Technologies, L.L.C.**

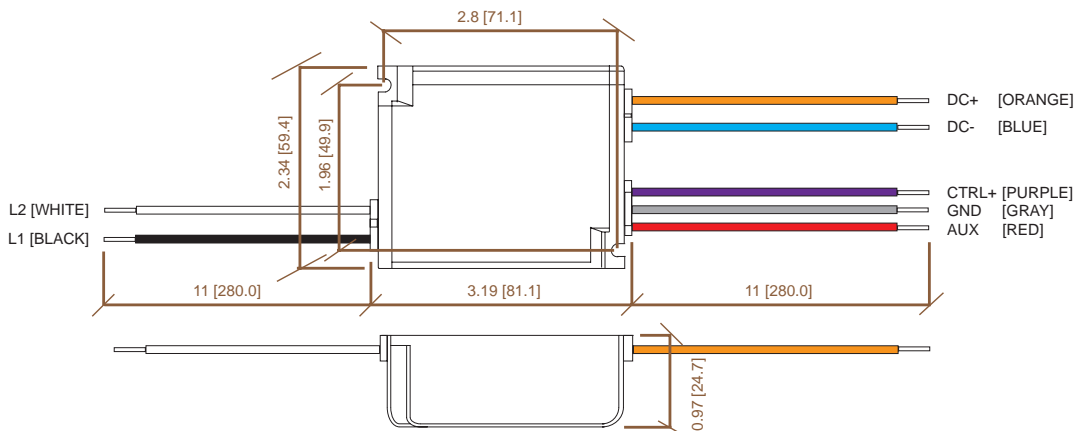
975 Deerfield Pkwy, Buffalo Grove, Illinois 60089, USA  
T: 1-800-503-9180 or 1-847-419-9118 F: 1-847-419-1515  
citapower.com

**Operating Specifications**

Electrical		Environmental	
<b>Input Voltage Range</b>	100 - 305VAC (47-63Hz)	<b>Operating Temperature</b>	-30°C to +70°C
<b>Input Power</b>	Max 42W	<b>Case Temperature</b>	+90°C maximum
<b>Isolation</b>	3000VAC / 1 minute	<b>Storage Temperature</b>	-40°C to +105°C
<b>Inrush Current</b>	60A at 230VAC, 25°C cold start	<b>Ingress Protection</b>	IP67
<b>Power Factor</b>	60% Typical	<b>Case Material</b>	UL94V-0 Plastic (F1)
<b>Output Power</b>	Max 35W	<b>Safety Agency Approvals</b>	
<b>Output Voltage Range</b>	-035 version: 350mA +/-2%, 24-60VDC, 8-18 LED string -070 version: 700mA +/-2%, 24-60VDC, 8-16 LED string All models with turn off capability (DIM <1V)	EN60950-1, 2nd edition, Class 2, IP67, for wet location use	CB Certificate No: E354816-A1-CB-1
<b>Auxiliary Output</b>	-035B version: 12VDC, 200mA maximum -070A version: 12VDC, 100mA maximum <small>*NOTE: If aux load is &lt;1mA, aux output will be in standby mode to save power. In this condition, the aux voltage will be &lt;8V and will not regulate</small>	UL file number: E354816, standards: UL 60950-1, 2nd Edition	Standards: IEC 60950-1(ed.2), IEC 60950 1(ed.2);am1 EN 60950-1:2006/ A11:2009/ A1:2010/ A12:2011
<b>Efficiency</b>	Typical, full load, 35W = 85% Typical, min. LED string, or at -30°C = 80%	CSA C22.2 No. 60950-1-07, 2nd Edition	EMI Standards: CE, EN 55022, Class B; FCC Part 15, Class B
<b>MTBF Lifetime</b>	>500,000 hours @ 50°C ambient, full load >100,000 hours @ 50°C ambient, full load >27,000 hours @ 70°C ambient, full load		
<b>Dimming Control</b>	Wireless dimming interface with 12VDC power output 0-10VDC (10% to 100% dimming) 0-10VDC dimming compatible with IEC60929:2006 controllable ballasts Potentiometer PWM dimming (1KHz/10VDC)		
<b>Robust Protection</b>	OVP, OCP, SCP, OTP		
Mechanical			
<b>Main Body Size</b>	L x W x H: 3.25" x 2.36" x 0.98" Weight: 0.30 lb See drawing below for details		

**Notes:**

1. This product is not intended to function with TRIAC dimmer
2. Wire Leads: Input: 18AWG, 105°C, 600V; Output: 22AWG, 105°C, 600V



**CITA** CE C **UL** **US** IP67  
UL 60950-1

35W UNIVERSAL LED DRIVER  
100-305 VAC 50/60 Hz  
**CPWLD 35-xxU-yyzd**  
DC OUTPUT: mm-aaVDC @ bbbmA Tc: 90°C  
CTRL= 0-10 VDC RoHS  
AUX OUTPUT: 12VDC @ 100 or 200 mA

L1 CTRL+  
L2 yywwC 000000000 GND(-)  
REV: z AUX+

xx: Nominal voltage  
yy: Nominal constant current (mA)  
d: Auxiliary designation  
mm: Minimum Voltage  
aa: Open circuit or maximum voltage  
bbb: Nominal constant current  
yywwC: Date code yyww, followed by letter "C" for mfg location  
z: Product revision

**CITA Technologies, LLC**  
975 Deerfield Pkwy, Buffalo Grove, Illinois 60089, USA  
T: 1-800-503-9180 or 1-847-419-9118 F: 1-847-419-1515  
www.citacotech.com