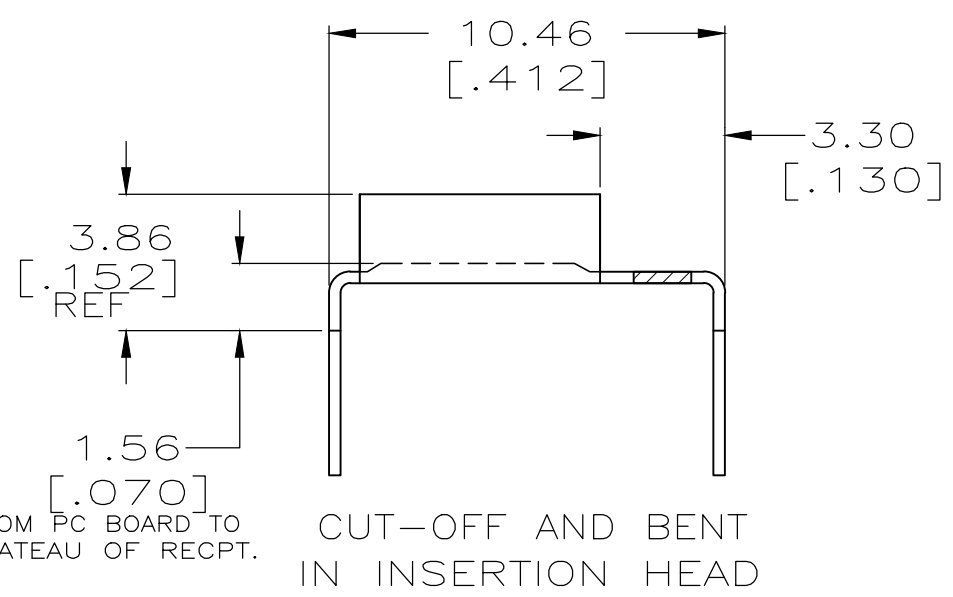
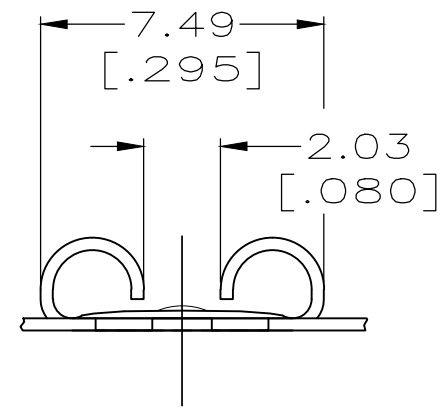
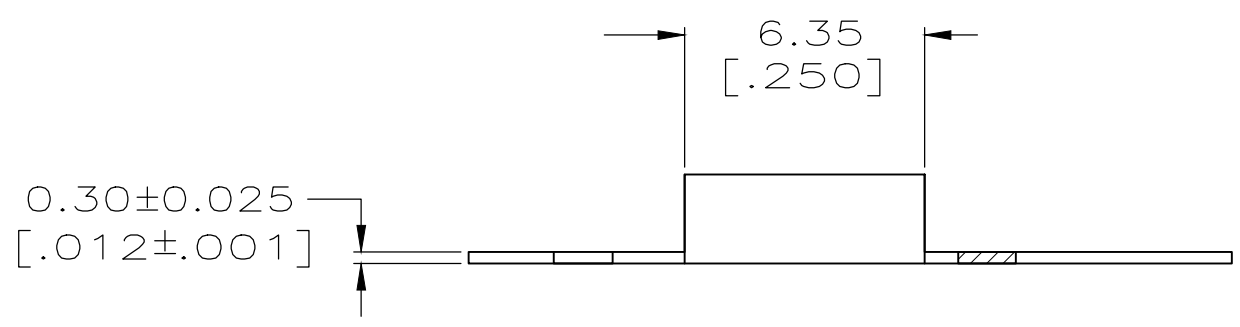
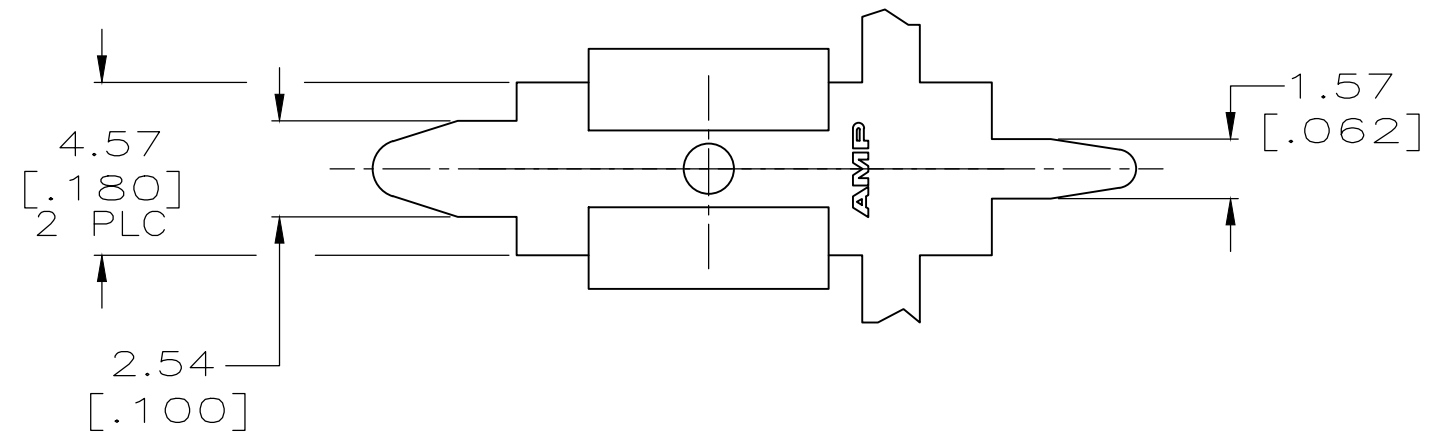


THIS DRAWING IS UNPUBLISHED. RELEASED FOR PUBLICATION ,19 .
 © COPYRIGHT 19 BY AMP INCORPORATED. ALL RIGHTS RESERVED.

LOC	DIST	REVISIONS			
P	LTR	DESCRIPTION	DATE	DWN	APVD
AF	50	C1	REVISED PER ECR-18-012188	08AUG2018	BDA DH

- 1 MATING TAB THK IS 0.51 ± 0.025 $[\pm 0.020]$.
- 2 CONTINUOUS STRIP ON REELS. TO BE CUT-OFF & BENT IN INSERTION HEAD.



1217107-1
PART NO.

THIS DRAWING IS A CONTROLLED DOCUMENT.		DWN	JR RUTH	11/14/97	 TE CONNECTIVITY	NAME			RECEPTACLE, FASTON, 6.35 [.250] SERIES		
DIMENSIONS: MM [INCHES]		CHK	MS FEHER	11/14/97		PRODUCT SPEC			—		
TOLERANCES UNLESS OTHERWISE SPECIFIED:		APVD	P DESANTIS	11/14/97		APPLICATION SPEC			—		
0 PLC ±- 1 PLC ±- 2 PLC ±0.13 [.005] 3 PLC ±- 4 PLC ±- ANGLES ±-		MATERIAL		FINISH		WEIGHT			—		
H04 PHOS BRONZE		0.002032 [.000080] MIN TIN		CUSTOMER DRAWING		SCALE	5:1	SHEET	1 OF 1	REV	C1