

# SH Series

## Precision Metal-Clad Shunts

Precision metal clad resistors designed in four-terminal technique, are distinguished by high load capacity as well as excellent accuracy. Isolated voltage and current connections making them suitable for very precise current measurements. The simple four port Kelvin design ensures easy installation on large current bus bars. Units have a low inductance, heavy copper terminals. Applications include: battery testing, current detection in precise power sources, constant current sources, industrial power conversion circuits, HEVs, fuel cells and constant electronic loads.



### CERTIFICATIONS

BN ES ISO 9001: 2008

ISO/TS 16949: 2009

### SERIES SPECIFICATIONS

Series	Rated Current (A)	Rated Voltage (mV)	Resistance (mΩ)
SH2	100	100	1.0000
	150	100	0.6666
	200	100	0.5000
SH3	250	100	0.4000
	300	100	0.3333

### CHARACTERISTICS

Test	Method	Maximum ΔR	Temp. Range	-55°C ~ +110°C
<b>Short Time Overload</b>	5x Power rating 5 sec.	±0.3%	<b>Insulation Resist.</b>	100MΩ min.
<b>Moisture Resistance</b>	40°C, 95% RH, DC100V case to terminal, 500 hours	±0.5%	<b>Dielectric Withstanding Voltage</b>	AC 500V for 1 minute
<b>Thermal Shock</b>	-65°C 30 minutes, +90°C 30 minutes 25 cycles	±0.2%	<b>Temp. Coefficient</b>	Max. 30ppm/°C [20°C and 60°C]
<b>Vibration</b>	10Hz-55Hz-10Hz (1min.), 2 hours each direction	±0.2%	<b>Lead Wire</b>	UL1331 AWG 16 with red insulation
<b>Moisture Load Life</b>	40°C, 95% RH, 0.1X Power rating 1.5 hours on, 30 minutes off, 500 hours	±0.5%		
<b>Load Life</b>	Power rating 1.5 hours on, 30 min. off, 500 hours	±0.5%		

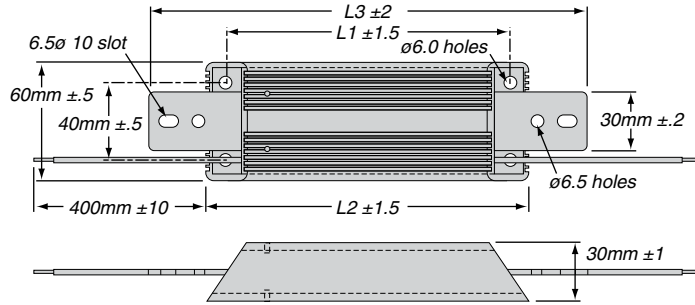
(continued)

# SH Series

## Precision Metal-Clad Shunts

### DIMENSIONS

(mm)



Series	Current (A)	Mass (g)	L1 ±1.5	L2 ±2	L3 ±2
SH2	100	650	146	165	225
	150	650	146	165	225
	200	650	146	165	225
SH3	250	1100	196	215	275
	300	1100	196	215	275

### ORDERING INFORMATION

RoHS Compliant

**S H 2 - 2 0 0 R 0 0 0 5 D E**

Series    Size    Current    Resistance    Tolerance  
see table    B = ±0.1%  
D = ±0.5%

#### Standard part numbers

Part	Rated Current (A)	Rated Voltage (mV)	Resistance (mΩ)	Resistance Tolerance
SH2-100R0010DE	100	100	1.0000	0.5%
SH2-150R0006DE	150	100	0.6666	0.5%
SH2-200R0005DE	200	100	0.5000	0.5%
SH3-250R0004DE	250	100	0.4000	0.5%
SH3-300R0003DE	300	100	0.3333	0.5%