

ExaMAX[®]



EGBM, EGBF SERIES

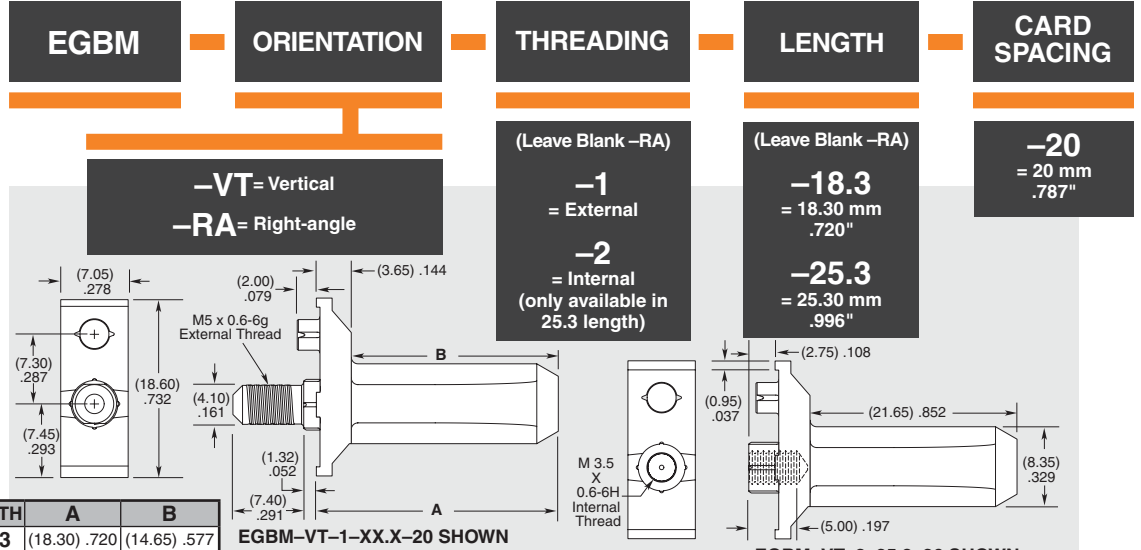
ExaMAX[®] GUIDE MODULES

Mates with:
EGBF

SPECIFICATIONS

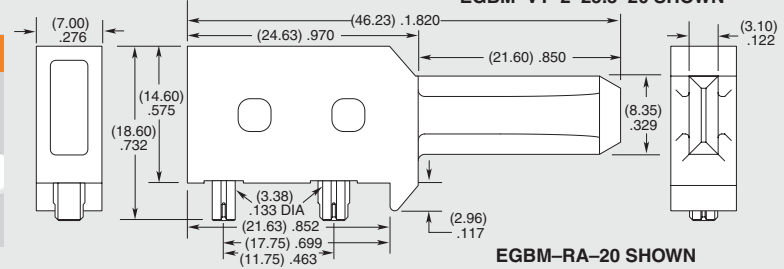
For complete specifications see www.samtec.com?EGBM

Insulator Material:
Zinc Alloy
RoHS Compliant:
Yes
Lead-Free Solderable:
Yes



Note:
Some sizes, styles and options are non-standard, non-returnable.

APPLICATION

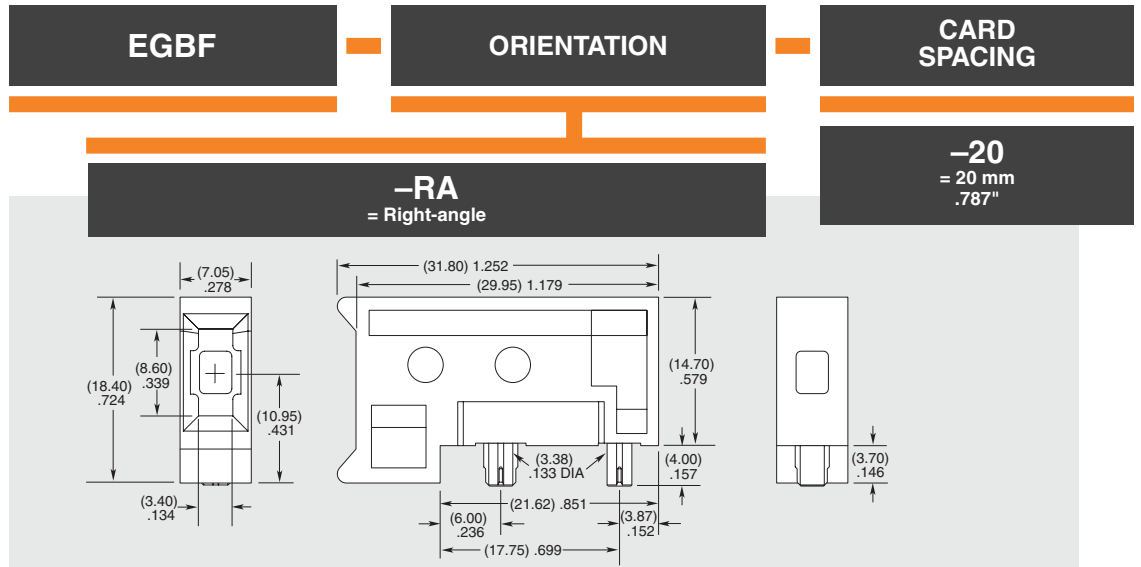


Mates with:
EGBM

SPECIFICATIONS

For complete specifications see www.samtec.com?EGBF

Insulator Material:
Zinc Alloy
RoHS Compliant:
Yes
Lead-Free Solderable:
Yes



Notes:
Some lengths, styles and options are non-standard, non-returnable.

ExaMAX[®] is a registered trademark of AFCL.

Due to technical progress, all designs, specifications and components are subject to change without notice.

WWW.SAMTEC.COM

All parts within this catalog are built to Samtec's specifications. Customer specific requirements must be approved by Samtec and identified in a Samtec customer-specific drawing to apply.