

Single-Channel GaN-Tr High-Speed Gate Driver

AN34092B Product Overview

Overview

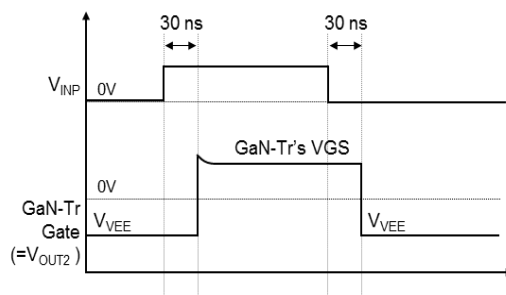
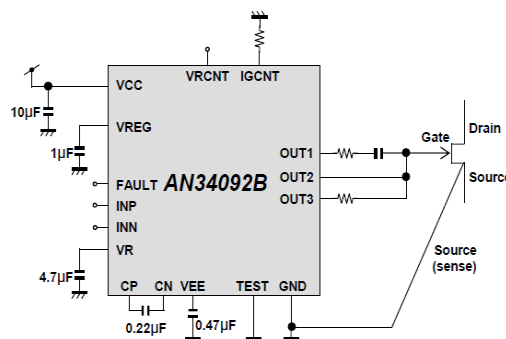
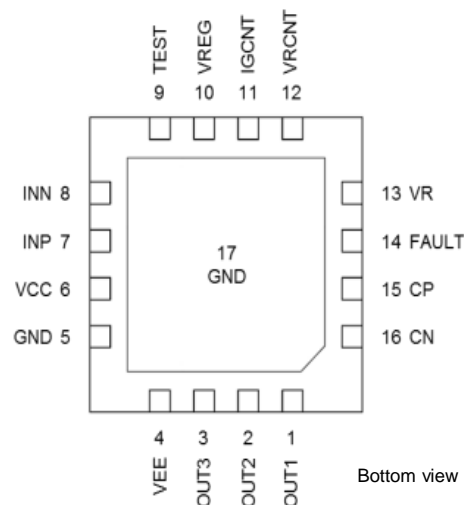
AN34092B is a single-channel high-speed gate driver specialized to driving GaN power transistor (GaN-Tr).

Features

- Able to drive GaN power transistor easily with a small number of external components
- Integrate constant source current circuitry for turn ON. Source current is adjustable with an external resistor (2.5 mA to 25 mA)
- Integrate negative voltage circuitry to avoid erroneous turn ON. Negative voltage is adjustable with an external resistor (– 5.5V to – 3V)
- Turn ON / OFF slew rate is controllable with external resistors
- Integrate active miller clamp function
- 30 ns typical propagation delay
- Gate clamping function during non supply voltage
- TTL / CMOS compatible inputs
- Support both non-inverting and inverting inputs
- Integrate FAULT function which notifies abnormal condition
- 4.75 V to 24 V Supply Range
- Protection : Under Voltage Lockout (UVLO)
VR Pin Voltage Monitoring Circuitry (VRDET)
Negative Voltage Monitoring Circuitry (VEEDET)
Thermal Shutdown (TSD)
- 16 pin Plastic Quad Flat Non-leaded Package Heat Slug Down (QFN type, size 4.0 mm x 4.0 mm, 0.65 mm pitch)

Applications

- Power supply for AC-DC (PFC, Isolated DC-DC)
- Battery charger system
- Photovoltaic power converter, Motor inverter



Absolute Maximum Ratings (T_j=25°C, unless otherwise specified)

Item	Symbol	Ratings	Unit
Supply Voltage	V _{CC}	28	V
Operating Free-Air Temperature	T _{opr}	-40 to +125	°C
Operating Junction Temperature	T _j	-40 to +150	°C
Storage Temperature	T _{stg}	-55 to +150	°C

The products and product specifications described in this document are subject to change without notice for modification and/or improvement. At the final stage of your design, purchasing, or use of the products, therefore, ask for the most up-to-date Product Standards in advance to make sure that the latest specifications satisfy your requirements.

As of March, 2019
FLY000070_EN

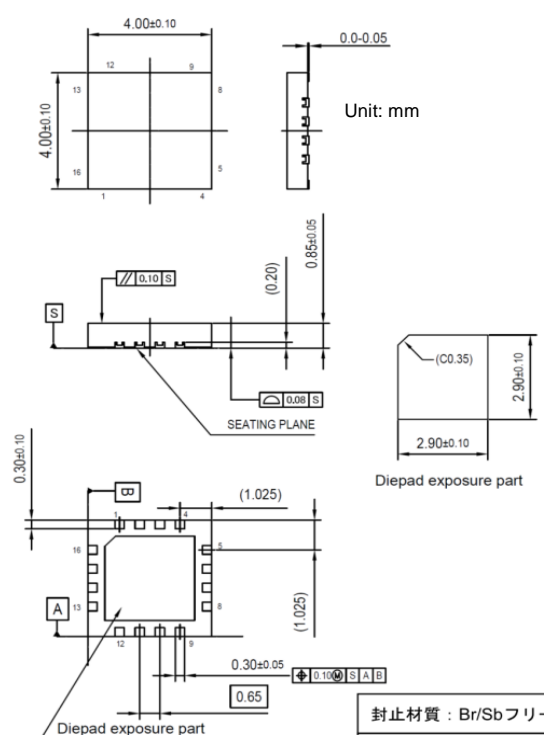
Panasonic Industrial Devices Sales Company of America
Two Riverfront Plaza, 7th Floor Newark, NJ, 07102, United States
800-344-2112
industrial@us.panasonic.com
<https://na.industrial.panasonic.com>

Panasonic Semiconductor Solutions Co., Ltd
1 Kotari-yakemachi, Nagaokakyo, Kyoto 617-8520, Japan
81-75-951-8151
<https://industrial.panasonic.com/ww/products/semiconductors>

Electrical Characteristics (Typical values at Tj=25 °C, unless otherwise specified)

Item	Symbol	Condition	Value	Unit
Standby Current Consumption	I_{STB}	VINP=VINN=0V	1.6	mA
Active Current Consumption	I_{ATV}	VINP=0V ↔ 5V @ 50kHz, VINN=0V OUT1=1nF, OUT2=OUT3=1nF IGCNT=39kohm	5.5	mA
INP/INN Pin Low-Level Input Voltage	V_{INL}	–	< 0.9	V
INP/INN Pin High-Level Input Voltage	V_{INH}	–	> 2.7	V
VEE Output Voltage	V_{EEO}	VINP=VINN=0V, VRCNT=OPEN	- 5	V
UVLO Detect Voltage	V_{UVLODE}	VCC=5V → 0V	4.5	V
INP/INN Pin Propagation Delay	T_{DLY}	–	30	ns
Output Rise Time	T_{RISE}	OUT1=1nF, VOUT1=10% → 90%	7	ns
Output Fall Time	T_{FALL}	OUT3=1nF, VOUT1=90% → 10%	5	ns
OUT1 Pin Peak Source Current	I_{SCP01}	OUT1=330pF+3.3ohm VOUT1=-5V → VCC	1.0	A
OUT3 Pin Peak Sink Current	I_{SNPK03}	OUT3=470pF+1ohm VOUT3=4V → -5V	1.3	A
Thermal Shutdown Threshold	T_{TSDTH}	–	150	°C

Package Outline



Pin Functions

No.	Name	I/O	Description
1	OUT1	O	Quick Gate Charge and Speed-up Capacitor Discharging Output
2	OUT2	O	Sourcing Gate Current and Active Miller Clamp Output
3	OUT3	O	Gate Pull-down Output
4	VEE	O	Negative Voltage Output
5	GND	-	Ground
6	VCC	I	Main Supply Input
7	INP	I	Gate Drive Logic Input (non-inverting input)
8	INN	I	Gate Drive Logic Input (inverting input)
9	TEST	I	Test Pin
10	VREG	O	LDO Regulator Output
11	IGCNT	I	OUT2 Sourcing Current Control Pin
12	VRCNT	I	VR Output Voltage Control Pin
13	VR	O	LDO Regulator Output
14	FAULT	O	FAULT Indicator Pin
15	CP	O	Charge Pump Capacitor Connection Pin
16	CN	O	Charge Pump Capacitor Connection Pin
17	GND	-	Ground for Heat Radiation

Mouser Electronics

Authorized Distributor

Click to View Pricing, Inventory, Delivery & Lifecycle Information:

[Panasonic:](#)

[AN34092B](#)