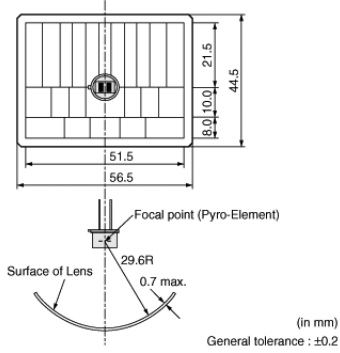
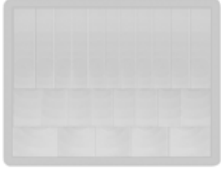


PPGI0902

In Production Recommended RoHS REACH

Appearance & Shape



Features

For LEAD TYPE and SMD TYPE

Packaging Information

Packaging	Specifications	Minimum Order Quantity
-	Bulk(Bag)	100

Attention

1.This datasheet is downloaded from the website of Murata Manufacturing Co., Ltd. Therefore, it's specifications are subject to change or our products may be discontinued without advance notice. Please check with our sales representatives or product engineers before ordering.
2.This datasheet has only typical specifications because there is no space for detailed specifications.
Therefore, please review our product specifications or consult the approval sheet for product specifications before ordering.

PPGI0902

Specifications

Material	High density polyethylene
Color	Natural(White)
Operating Temperature Range	-25°C to 60°C
Storage Temperature Range	-30°C to 80°C

Attention

1.This datasheet is downloaded from the website of Murata Manufacturing Co., Ltd. Therefore, it's specifications are subject to change or our products in it may be discontinued without advance notice. Please check with our sales representatives or product engineers before ordering.
2.This datasheet has only typical specifications because there is no space for detailed specifications.
Therefore, please review our product specifications or consult the approval sheet for product specifications before ordering.