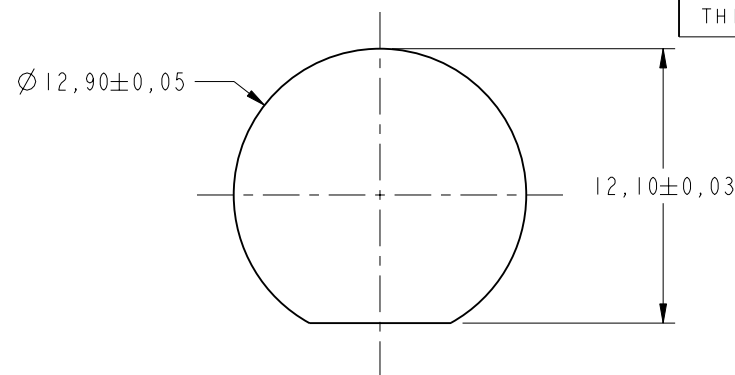


NOTES:

1. MATERIALS AND FINISHES:  
 BODY - BRASS, NICKEL PLATING  
 LOCKWASHER - PHOSPHOR BRONZE, NICKEL PLATING  
 HEX NUT - BRASS, NICKEL PLATING  
 CONTACT - BERYLLIUM COPPER, GOLD PLATING  
 INSULATOR - PTFE  
 O-RING - SILICONE RUBBER
2. ELECTRICAL:  
 A. IMPEDANCE: 50 OHM  
 B. FREQUENCY RANGE: DC - 4 GHz  
 C. VSWR: 1.3 FROM DC TO 4 GHz
3. ENVIRONMENTAL:  
 A. IP-67 SEALED IN UNMATED CONDITION
4. PACKAGING:  
 A. QUANTITY: SINGLE PACK  
 B. MARKING: BAG TO BE MARKED  
 "AMPHENOL RF, 901-10384, AND DATE CODE"

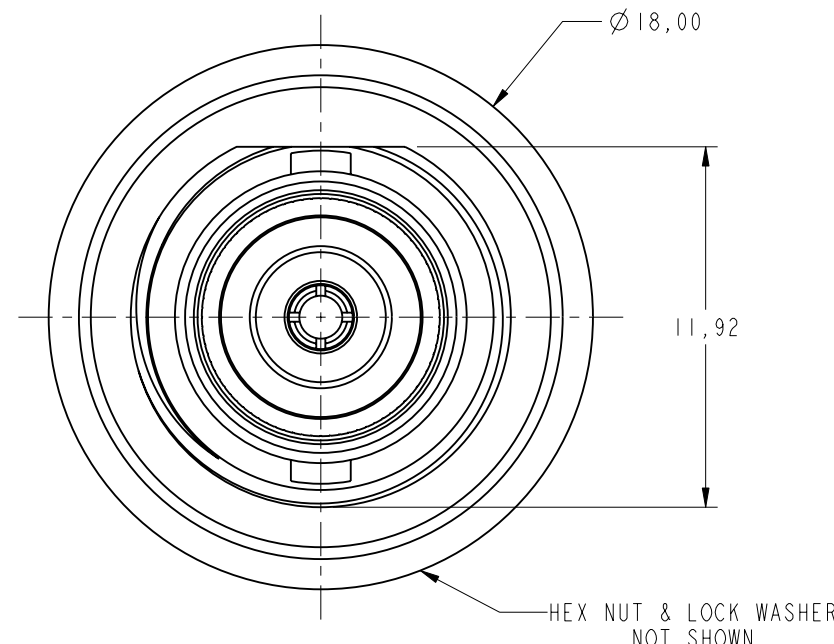
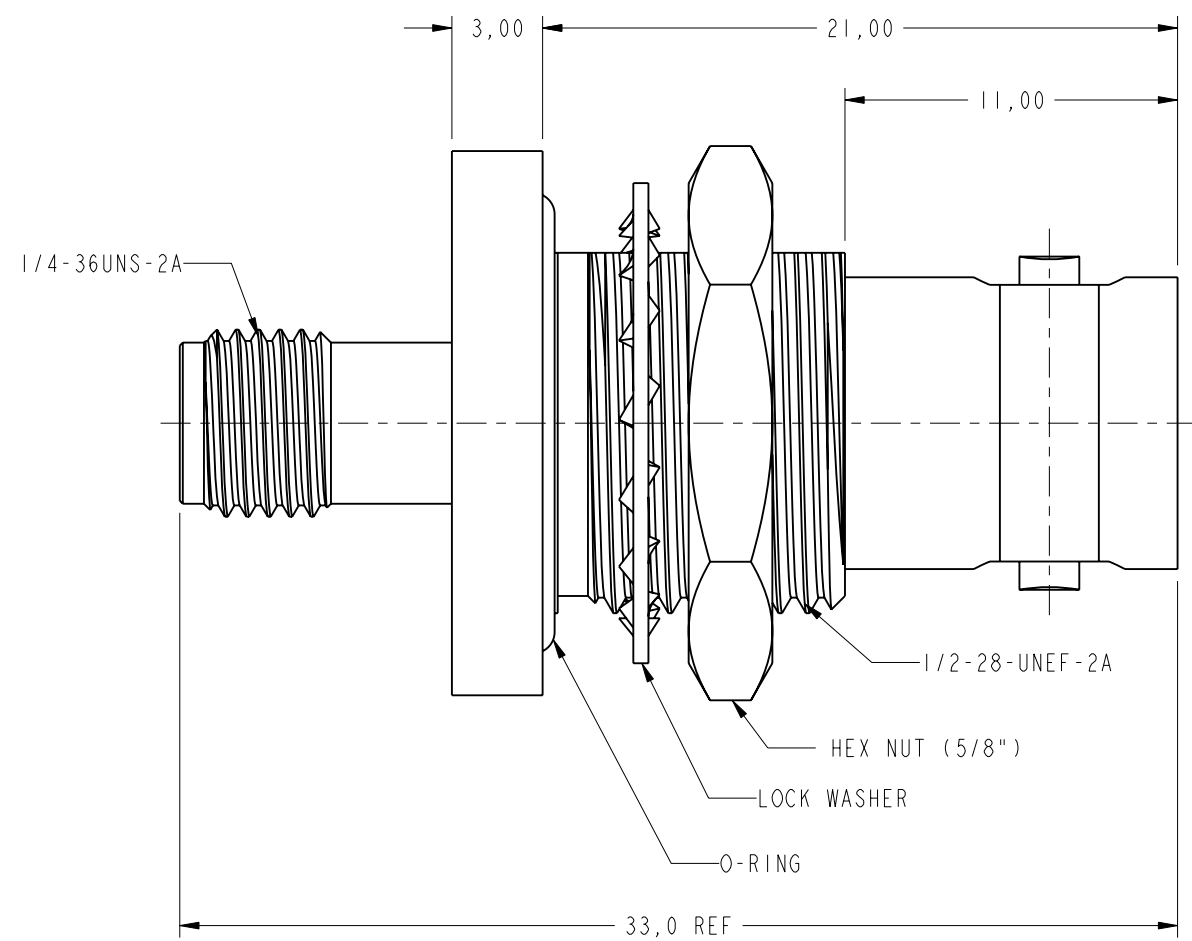
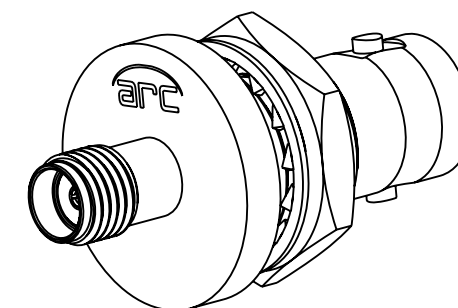


RECOMMENDED PANEL  
CUT OUT DIMENSIONS

THIRD ANGLE PROJ.

REVISIONS

REV	DESCRIPTION	DATE	ECO	APPR
A	RELEASE TO MFG.	05-Sep-12	49148	RM
B	ADD ARC LOGO TO BODY\RD-DM13082201J8	30-Aug-13	49619	RLB



**CUSTOMER OUTLINE DRAWING**  
ALL OTHER SHEETS ARE FOR INTERNAL USE ONLY

<p>UNLESS OTHERWISE SPECIFIED, DIMENSIONS ARE IN METRIC AND TOLERANCES ARE:          &lt;math&gt;&lt; 0.5\text{mm}&lt;/math&gt;   &lt;math&gt;0.5 - 6\text{mm}&lt;/math&gt;   &lt;math&gt;6 - 30\text{mm}&lt;/math&gt;   &lt;math&gt;30 - 120\text{mm}&lt;/math&gt;   ANGLES  <math>\pm 0.05\text{mm}</math>   <math>\pm 0.1\text{mm}</math>   <math>\pm 0.2\text{mm}</math>   <math>\pm 0.3\text{mm}</math>   <math>\pm 1^\circ</math></p> <p>NOTICE - These drawings, specifications, or other data (1) are, and remain the property of Amphenol corp. (2) must be returned upon request; and (3) are confidential and not to be disclosed to any person other than those to whom they are given by Amphenol Corp. the furnishing of these drawings, specifications, or other data by Amphenol Corp., or to any other person to anyone for any purpose is not to be regarded by implication or otherwise in any manner licensing, granting rights to permitting such holder or any other person to manufacture, use or sell any product, process or design, patented or otherwise, that may in any way be related to or disclosed by said drawings, specifications, or other data.</p>	<p>MATERIAL</p>	<p>DRAWN J.CHEN</p>	<p>DATE 30-Aug-13</p>	<p>TITLE SMA JACK TO BNC BHD JACK IP-67 ADAPTOR</p>	<p>Amphenol RF www.amphenolrf.com</p>	
	<p>REFERENCE EAR 3558   AND</p>	<p>ENGINEER D.DAVE</p>	<p>DATE 17-JAN-12</p>			<p>SCALE: 4.0:1.0   SHEET 2 OF 2</p>
	<p>CONFIGURATION LEVEL: <input type="checkbox"/><input type="checkbox"/></p>	<p>APPROVED S.SIEH</p>	<p>DATE 05-Sep-13</p>	<p>DWG SIZE B</p>	<p>REV B</p>	<p>DRAWING NO. 901-10384</p>
	<p>FINISH</p>	<p>CAD FILE</p>	<p>DWG SIZE B</p>	<p>REV B</p>	<p>ITEM NO. 901-10384</p>	<p>PART NO. 901-10384</p>