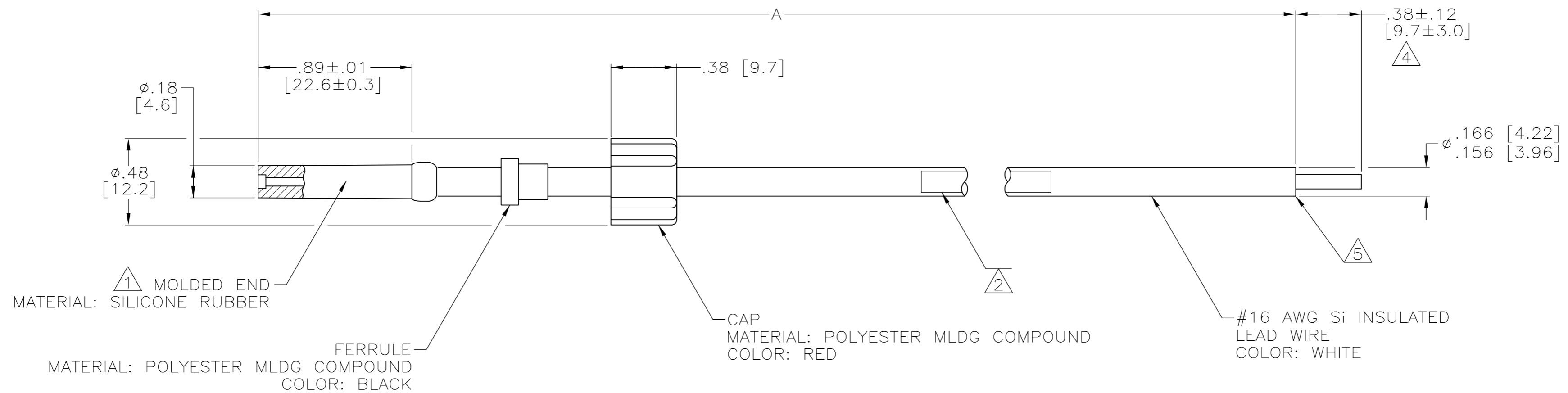


THIS DRAWING IS UNPUBLISHED. RELEASED FOR PUBLICATION - N/A .
 © COPYRIGHT N/A TE Connectivity ALL RIGHTS RESERVED.

REVISIONS				
P	LTR	DESCRIPTION	DATE	APVD
J		REV PER ECO 17-014647	10-10-17	CT DM



① MOLDED END
 MATERIAL: SILICONE RUBBER

FERRULE
 MATERIAL: POLYESTER MLDG COMPOUND
 COLOR: BLACK

CAP
 MATERIAL: POLYESTER MLDG COMPOUND
 COLOR: RED

#16 AWG Si INSULATED
 LEAD WIRE
 COLOR: WHITE

⑤	14.63±.12 [371.6±3.0]	6-863534-4
⑤	36.00±.24 [914.4±6.1]	5-863534-9
⑤	10.00±.12 [254.0±3.0]	5-863534-3
④	16.63±.12 [422.4±3.0]	1-863534-6
OBSOLETE	④ 5.63±.12 [143.0±3.0]	1-863534-5
	④ 14.63±.12 [371.6±3.0]	1-863534-4
OBSOLETE	④ 14.50±.12 [368.3±3.0]	1-863534-3
OBSOLETE	④ 9.00±.12 [228.6±3.0]	1-863534-2
	④ 20.00±.12 [508.0±3.0]	1-863534-1
OBSOLETE	④ 19.00±.12 [482.6±3.0]	1-863534-0
	④ 36.00±.24 [914.4±6.1]	863534-9
OBSOLETE	④ 24.00±.24 [609.6±6.1]	863534-8
	④ 21.00±.12 [533.4±3.0]	863534-7
	④ 18.00±.12 [457.2±3.0]	863534-6
	④ 15.00±.12 [381.0±3.0]	863534-5
OBSOLETE	④ 12.00±.12 [304.8±3.0]	863534-4
	④ 10.00±.12 [254.0±3.0]	863534-3
OBSOLETE	④ 8.00±.12 [203.2±3.0]	863534-2
OBSOLETE	④ 6.00±.12 [152.4±3.0]	863534-1

- ① TO MATE WITH AMP LGH 1/2L RECEPTACLE WITH .89 [22.6] BARREL DEPTH
- ② MARK PER MIL-STD-130.
- 3. OPERATING VOLTAGE: 15 KVDC AT 0 TO 70,000 FEET, -55°C TO 125°C.
- ④ PIGTAILS ARE SOLDER DIPPED.
- ⑤ INSULATION CUT, BUT NOT REMOVED.

REMARKS	A	PART NO
---------	---	---------

THIS DRAWING IS A CONTROLLED DOCUMENT.		DWN T.SHUEY 29-SEP-89	STE TE Connectivity	
DIMENSIONS: INCHES [mm]		CHK C.CHEHOVIN 09-OCT-89		
TOLERANCES UNLESS OTHERWISE SPECIFIED:		APVD D.EABY 09-OCT-89	NAME	
0 PLC ± -	1 PLC ± -	PRODUCT SPEC	LEAD ASSY	
2 PLC ± .02 [0.5]	3 PLC ± -	APPLICATION SPEC	SGL END, POSITIVE STOP	
4 PLC ± -	ANGLES ± -		LGH-1/2L	
MATERIAL -	FINISH -	WEIGHT 0.000000	SIZE A2	CAGE CODE 00779
		CUSTOMER DRAWING	DRAWING NO C=863534	RESTRICTED TO -
		SCALE 2:1	SHEET 1 of 1	REV J