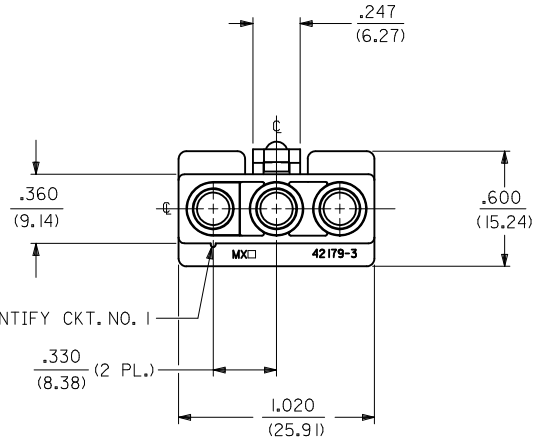


RECEPTACLE



RIB TO IDENTIFY CKT. NO. 1

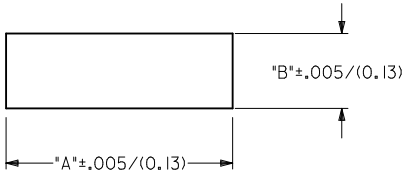
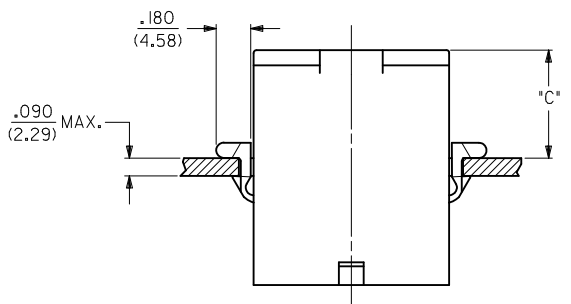
| | | |
|---|---|---|
| F | 3 | H |
| E | 2 | H |
| F | 1 | H |

| | | | | | | | | |
|---|------------------------------------|--|----------------------------|--|---|------------------------------------|-------------------------------|--|
| REVISE DIMENSION EC NO: UCP2011-3247 DRW: AELHAG 2011/04/20 CHKD: JBELL 2011/04/20 APPR: FSMITH 2011/05/02 | QUALITY SYMBOLS | GENERAL TOLERANCES (UNLESS SPECIFIED) | | DIMENSION STYLE IN/MM | SCALE 2:1 | DESIGN UNITS INCH | THIRD ANGLE PROJECTION | |
| | | 4 PLACES ± --- ± --- | DRAWN BY AELHAG | DATE 2011/04/20 | TITLE .125/(3.17) HOUSING, PLUG AND RECEPTACLE, 3 CKT .330/(8.38) CTR | | | |
| | | 3 PLACES ± --- ± .007 | CHECKED BY JBELL | DATE 2011/04/20 | MOLEX INCORPORATED | | | |
| | | 2 PLACES ± 0.18 ± .010 1 PLACE ± 0.25 ± --- | APPROVED BY (Signature) | DATE | MATERIAL NO. SEE CHART | DOCUMENT NO. SD-42179-3* | SHEET NO. 1 OF 3 | |
| DRAFT WHERE APPLICABLE MUST REMAIN WITHIN DIMENSIONS | | ANGULAR ±1/2° | | THIS DRAWING CONTAINS INFORMATION THAT IS PROPRIETARY TO MOLEX INCORPORATED AND SHOULD NOT BE USED WITHOUT WRITTEN PERMISSION | | | | |

| PLUG | | RECEPTACLE | |
|------------|-----------|------------|-------------|
| PART NO. | ENG. NO. | PART NO. | ENG. NO. |
| 03-12-2036 | 42179-3PI | 03-12-1036 | 42179-3RI |
| 03-12-2035 | 42179-3P | 50-29-1608 | 42179-3RI-B |
| | | | |
| | | | |
| | | | |
| | | | |

LEGEND:
42179-3***-*

CIRCUIT SIZE: _____
HOUSING TYPE: _____
P = PLUG
R = RECEPTACLE
MOUNTING EAR OPTION: _____
BLANK = WITH PREBENT EARS AND RIBS, PLUG ONLY
I = WITHOUT EARS
COLOR: _____
BLANK = TRANSLUCENT NATURAL COLOR
AM=AMBER BK=BLACK BU=BLUE
BN=BROWN GY=GRAY GN=GREEN
OR=ORANGE RD=RED YW=YELLOW
MATERIAL: _____
BLANK = MATERIAL CODE A.
B = MATERIAL CODE B.



RECOMMENDED HOLE CUTOUT

| HOUSING | DIM. "A" | DIM. "B" | DIM. "C" |
|---------|---------------|--------------|------------|
| PLUG | 1.181/(30.00) | .440/(11.18) | .57/(14.5) |

- NOTES:**
- PART ACCEPTS A MAXIMUM .250/(6.35) INSULATION DIA.
 - FOR USE WITH ALL MOLEX .125/(3.17) DIAMETER SERIES TERMINAL EXCEPT THE I219/I220 SERIES.
 - MATERIAL CODES:-
A- NYLON 6/6, U.L. 94V-2.
B- NYLON 6/6, U.L. 94V-0.

| | | | | | | |
|--|-----------------|--|-------------------|---|--------------|------------------------|
| UPDATE TITLE BLOCK EC NO: UCP2011-3247 DRWN: AELHAG 2011/04/20 CHKD: JBELL 2011/04/20 APPR: FSMITH 2011/05/02 REV: | QUALITY SYMBOLS | GENERAL TOLERANCES (UNLESS SPECIFIED) | DIMENSION STYLE | SCALE | DESIGN UNITS | THIRD ANGLE PROJECTION |
| | ▽=0 | mm INCH | IN/MM | 2:1 | INCH | |
| | ▽=0 | 4 PLACES ± --- ± --- | DRAWN BY DATE | TITLE | | |
| | ▽=0 | 3 PLACES ± --- ±.007 | AELHAG 2011/04/20 | .125/(3.17) HOUSING, PLUG AND RECEPTACLE, 3 CKT .330/(8.38) CTR | | |
| | | 2 PLACES ± 0.18 ±.010 | CHECKED BY DATE | MOLEX INCORPORATED | | |
| | | 1 PLACE ± 0.25 ± --- | JBELL 2011/04/20 | MATERIAL NO. SEE CHART DOCUMENT NO. SD-42179-3* SHEET NO. 3 OF 3 | | |
| | | ANGULAR ±1/2° | APPROVED BY DATE | THIS DRAWING CONTAINS INFORMATION THAT IS PROPRIETARY TO MOLEX INCORPORATED AND SHOULD NOT BE USED WITHOUT WRITTEN PERMISSION | | |
| | | DRAFT WHERE APPLICABLE MUST REMAIN WITHIN DIMENSIONS | | | | |