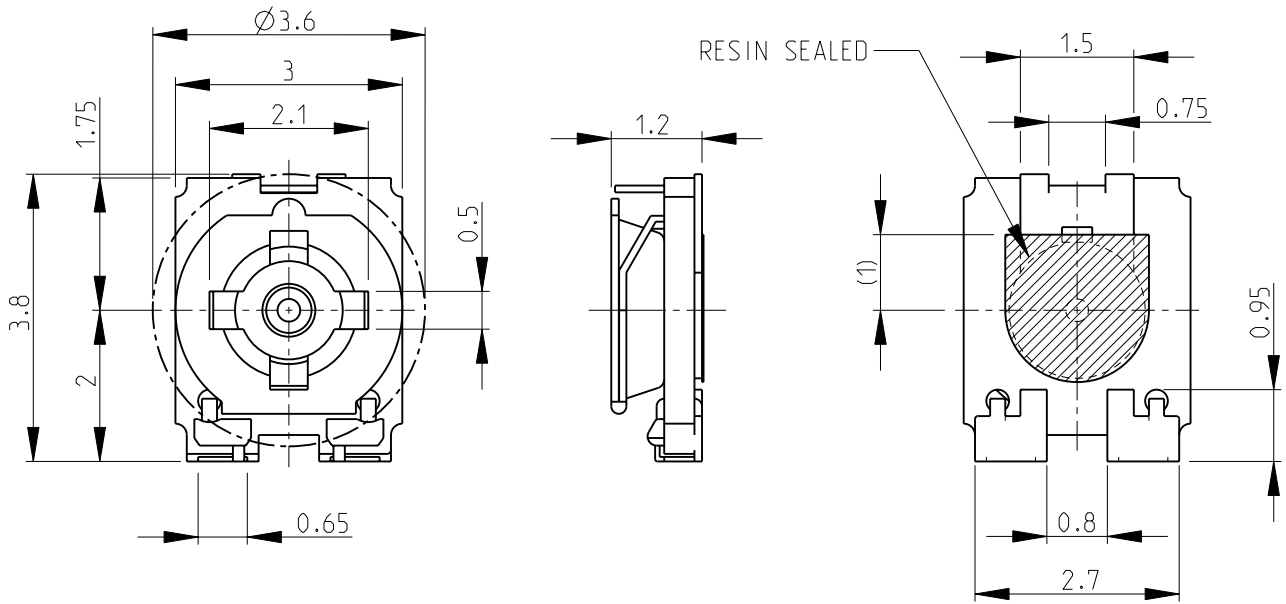
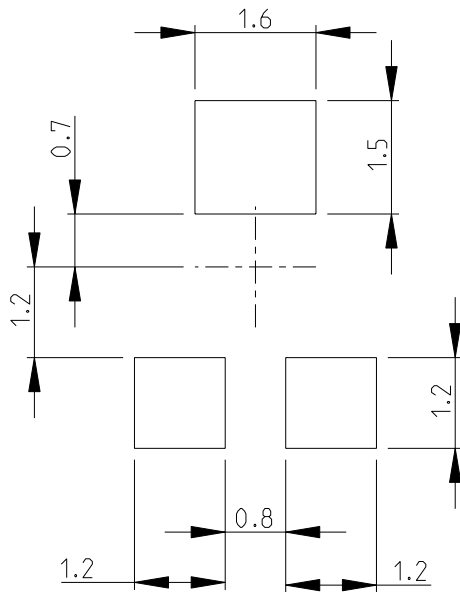


LOC	DIST	REVISIONS				
P	LTR	DESCRIPTION	DATE	DWN	APVD	
E	B	BA	NEW RELEASE	06-AUG-08	SM	St.P

WIPER ROTATING AREA

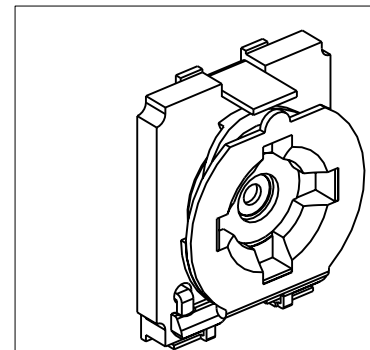


RECOMMENDED LAND PATTERN



FOR FURTHER INFORMATION SEE DATA SHEET FOR
3135 SERIES-SMD ECONOMY TRIMMERS

RoHS Compliant



2008

RELEASED FOR PUBLICATION

THIS DRAWING IS UNPUBLISHED.

BY TYCO ELECTRONICS CORPORATION. ALL RIGHTS RESERVED.

© COPYRIGHT 2008

DIMENSIONS: mm	DWN SUBHASH.M	06-AUG-08	MATERIAL	-	FINISH	-
	CHK PRAKASH.S	06-AUG-08	Tyco Electronics Corporation Dorcan, Swindon, SN3 5HH			
TOLERANCES UNLESS OTHERWISE SPECIFIED:	APVD STEPHEN.P	06-AUG-08				
0 PLC ±0.2	PRODUCT SPEC	-	NAME SMD ECONOMY TRIMMERS SERIES 3135			
1 PLC ±0.1	APPLICATION SPEC	-	SIZE	CAGE CODE	DRAWING NO	RESTRICTED TO
2 PLC ±-	WEIGHT	-	A 4	00779	© = 1623919	-
3 PLC ±-			CUSTOMER DRAWING			
4 PLC ±-			SCALE	10:1	SHEET	1 OF 1
ANGLES ±5°						REV BA