

## G2-ROSE-UV-M

~25° medium beam. Assembly with black holder and installation tape.

### TECHNICAL SPECIFICATIONS:

Dimensions	21.6 mm
Height	12.9 mm
Fastening	tape, pin
ROHS compliant	yes ⓘ

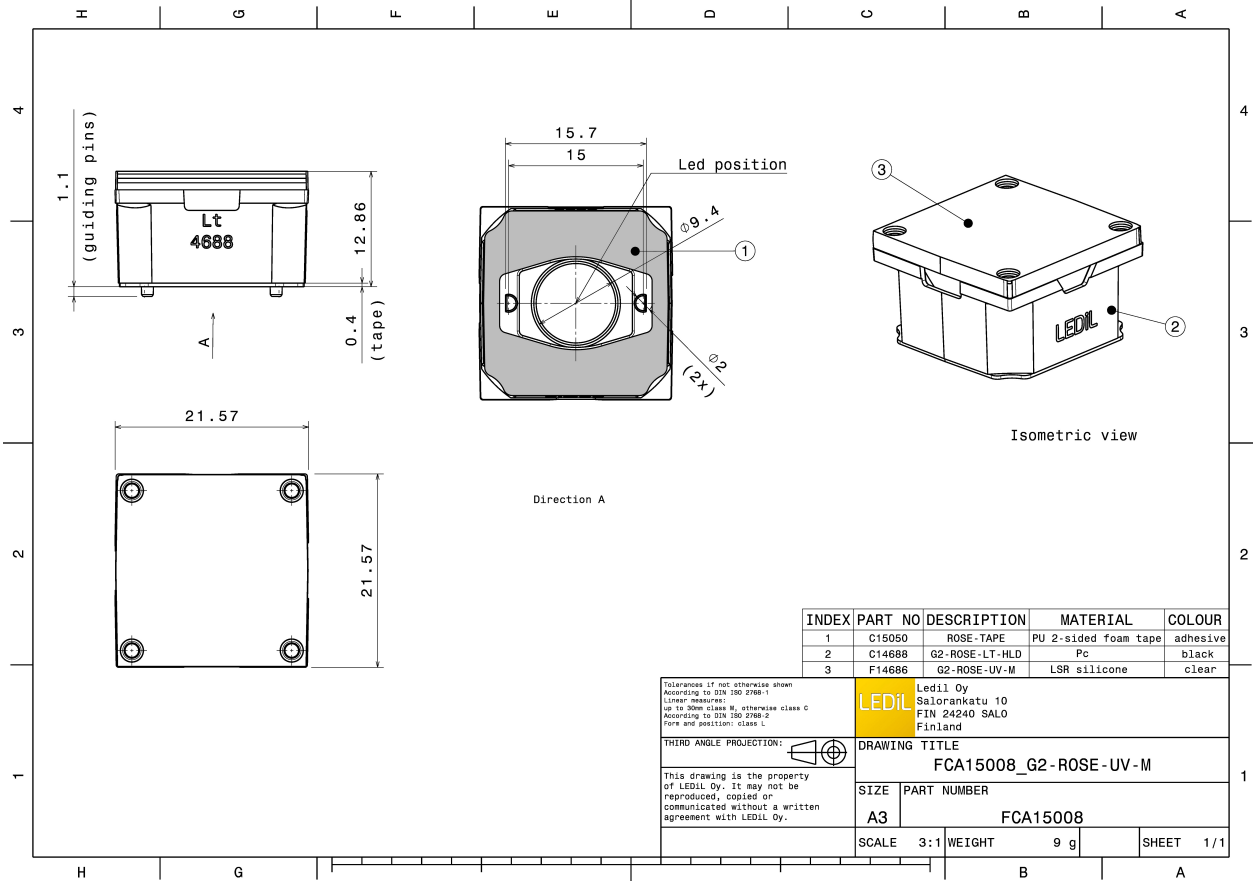
### MATERIAL SPECIFICATIONS:

Component	Type	Material	Colour	Finish
G2-ROSE-UV-M	Single lens	Silicone	clear	
G2-ROSE-LT-HLD	Holder	PC	black	
ROSE-TAPE	Tape	PU tape	black	



### ORDERING INFORMATION:

Component		Qty in box	MOQ	MPQ	Box weight (kg)
FCA15008_G2-ROSE-UV-M	Single lens	1620	360	180	6.7
» Box size: 476 x 273 x 197 mm					



### PHOTOMETRIC DATA (MEASURED):



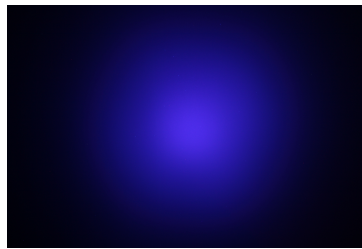
LED LZ1-00UV00  
FWHM 26.0°  
Efficiency %  
LEDs/each optic 1  
Light colour UV  
Required components:



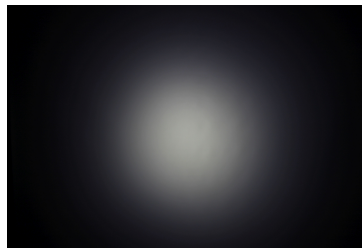
LED SST-10-B130  
FWHM 18.0°  
Efficiency %  
LEDs/each optic 1  
Light colour UV  
Required components:



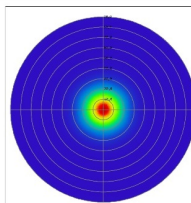
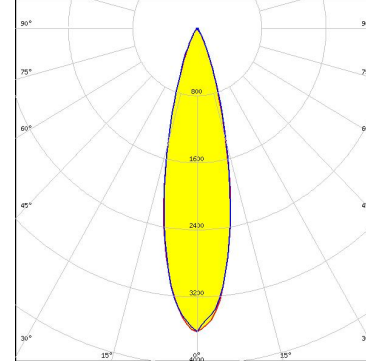
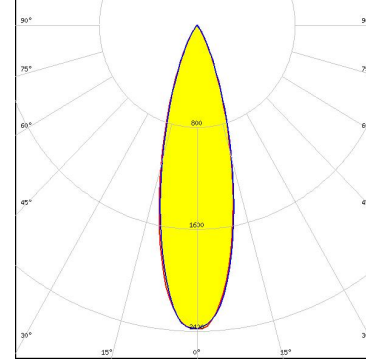
LED NVSU233A  
FWHM 23.0°  
Efficiency %  
LEDs/each optic 1  
Light colour UV  
Required components:



LED NVSW319B  
FWHM 22.0°  
Efficiency 87 %  
Peak intensity 3.7 cd/lm  
LEDs/each optic 1  
Light colour UV  
Required components:



#### PHOTOMETRIC DATA (SIMULATED):

<p><b>NICHIA</b></p> <p>LED: NVSU119C            FWHM: 24.0°            Efficiency: 89 %            LEDs/each optic: 1            Light colour: UV            Required components:</p>	 <p>Detector Stage: Hemisphere Intensity</p> <p>27.5.2810            DISTANCE TO BECA Surface 1:            Max polar angle: 90.00 deg, Total LEDs = 480244            Peak Intensity: 1.741315162 Lumens/Candela            Total Power: 1.88071441 Lumens</p>	
<p><b>SEOUL VIOSYS</b></p> <p>LED: CUN66B1G            FWHM: 29.0°            Efficiency: 73 %            LEDs/each optic: 1            Light colour: UV            Required components:</p>		

#### GENERAL INFORMATION:

NOTE: The typical beam angle will be changed by different color, chip size and chip position tolerance. The typical total beam angle is the full angle measured where the luminous intensity is half of the peak value.

#### MATERIALS:

As part of our continuous research and improvement processes, and to ensure the best possible quality and availability of our products, LEDiL reserves the right to change material grades without notice.

#### PRODUCT DATA USER AGREEMENT AND DISCLAIMER:

The measured data in the provided downloadable LEDiL Product Datasheets and Mechanical 2D-Drawings is rounded and provided as reference for planning. LEDiL Oy's optical specifications have been verified by conducting performance testing of the products in accordance with the company's quality system. The reported data are averaged results of multiple measurements with typical variation. LEDiL Oy reserves the right to without prior notification make changes and improvements to its products.

LEDiL Oy assumes neither warranty, nor guarantee nor any other liability of any kind for the contents and correctness of the provided data. The provided data has been generated with highest diligence but the provided data may in reality not represent the complete possible variation range of all intrinsic parameters. Therefore, in certain cases a deviation from the provided data could occur.

LEDiL Oy reserves the right to undertake technical changes of its products without further notification which could lead to changes in the provided data. LEDiL Oy assumes no liability of any kind for the possible deviation from any provided data or any other damage resulting from the usage of the provided data.

The user agrees to this disclaimer and user agreement with the download or usage of the provided files.

#### LEDiL Oy

Joensuunkatu 13  
FI-24240 SALO  
Finland

#### LEDiL Inc.

228 West Page Street  
Suite D  
Sycamore IL 60178  
USA

#### Local sales and technical support

[www.ledil.com/  
where\\_to\\_buy](http://www.ledil.com/where_to_buy)

#### Shipping locations

Salo, Finland  
Hong Kong, China

#### Distribution Partners

[www.ledil.com/  
where\\_to\\_buy](http://www.ledil.com/where_to_buy)