

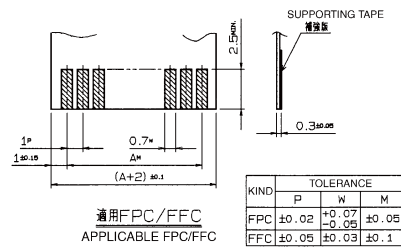
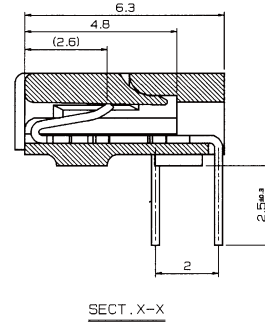
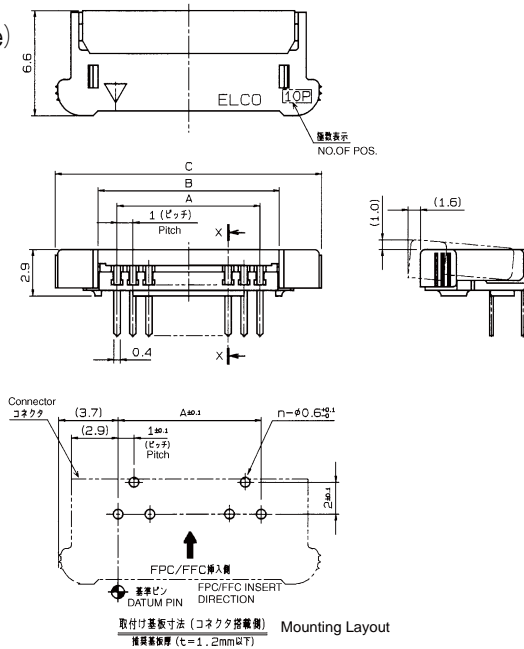
1.0mm Pitch
SERIES

6200

1.0mmピッチ RA DIP/SMT 下接点 スライドロック

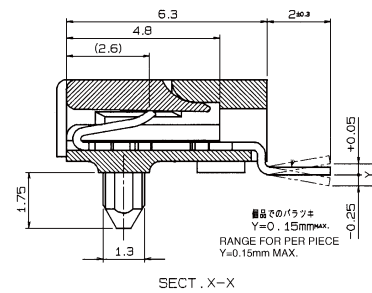
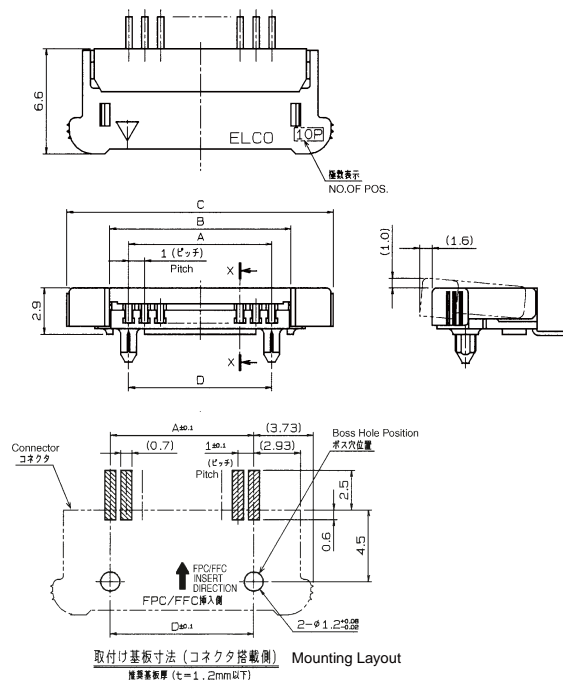
1.0mmPitch RA Through hole/SMT Bottom contact Slide lock

DIP
(Through Hole)



| KIND | TOLERANCE | | |
|------|-----------|----------------|-------|
| | P | W | M |
| FPC | ±0.02 | +0.07 -0.05 | ±0.05 |
| FFC | ±0.05 | ±0.03 | ±0.1 |

SMTボス付
With Bosses



| 極数 | A | B | C | D |
|----|----|------|-------|----|
| 5 | 4 | 6.4 | 11.45 | 4 |
| 6 | 5 | 7.4 | 12.45 | 5 |
| 7 | 6 | 8.4 | 13.45 | 6 |
| 8 | 7 | 9.4 | 14.45 | 7 |
| 9 | 8 | 10.4 | 15.45 | 8 |
| 10 | 9 | 11.4 | 16.45 | 9 |
| 11 | 10 | 12.4 | 17.45 | 10 |
| 12 | 11 | 13.4 | 18.45 | 11 |
| 13 | 12 | 14.4 | 19.45 | 12 |
| 14 | 13 | 15.4 | 20.45 | 13 |
| 15 | 14 | 16.4 | 21.45 | 14 |
| 16 | 15 | 17.4 | 22.45 | 15 |
| 17 | 16 | 18.4 | 23.45 | 16 |
| 18 | 17 | 19.4 | 24.45 | 17 |
| 19 | 18 | 20.4 | 25.45 | 18 |
| 20 | 19 | 21.4 | 26.45 | 19 |
| 21 | 20 | 22.4 | 27.45 | 20 |
| 22 | 21 | 23.4 | 28.45 | 21 |
| 23 | 22 | 24.4 | 29.45 | 22 |
| 24 | 23 | 25.4 | 30.45 | 23 |
| 25 | 24 | 26.4 | 31.45 | 24 |
| 26 | 25 | 27.4 | 32.45 | 25 |
| 27 | 26 | 28.4 | 33.45 | 26 |
| 28 | 27 | 29.4 | 34.45 | 27 |
| 29 | 28 | 30.4 | 35.45 | 28 |
| 30 | 29 | 31.4 | 36.45 | 29 |

注文コード ORDERING CODE

00 6200 XX7 XXX XXX+

RoHS 対応品

RoHS Compliant Product

00 : トレー梱包
TRAY PACKAGE

極数
NUMBER OF POSITIONS

バリエーション
VARIATION CODE

012 : DIP Through Hole

022 : SMTボス付 WITH BOSS

800+ : スズ銅めっき Sn-Cu Plated
883+ : 金めっき Au Plated

生産対応可能極数については、営業部に
ご確認ください。

Feel free to contact our sales department
for available numbers of positions.

1.0mm Pitch

SERIES

6200

1.0mmピッチ RA SMT 下接点 スライドロック

1.0mmPitch RA SMT Bottom contact Slide lock

金具付ボス付 With Metal tab & Bosses



金具付 With Metal Tab



| 種類 | 公差 | TOLERANCE | |
|------|-------|----------------|-------|
| KIND | P | W M | |
| FPC | ±0.02 | +0.07 -0.05 | ±0.05 |
| FFC | ±0.05 | ±0.03 | ±0.1 |

| 極数 NO. OF POS. | A | B | C | D | E | F |
|----------------------|----|------|-------|-------|-------|----|
| 5 | 4 | 6.4 | 12.25 | 12.25 | 12.65 | 4 |
| 6 | 5 | 7.4 | 13.25 | 13.25 | 13.65 | 5 |
| 7 | 6 | 8.4 | 14.25 | 14.25 | 14.65 | 6 |
| 8 | 7 | 9.4 | 15.25 | 15.25 | 15.65 | 7 |
| 9 | 8 | 10.4 | 16.25 | 16.25 | 16.65 | 8 |
| 10 | 9 | 11.4 | 17.25 | 17.25 | 17.65 | 9 |
| 11 | 10 | 12.4 | 18.25 | 18.25 | 18.65 | 10 |
| 12 | 11 | 13.4 | 19.25 | 19.25 | 19.65 | 11 |
| 13 | 12 | 14.4 | 20.25 | 20.25 | 20.65 | 12 |
| 14 | 13 | 15.4 | 21.25 | 21.25 | 21.65 | 13 |
| 15 | 14 | 16.4 | 22.25 | 22.25 | 22.65 | 14 |
| 16 | 15 | 17.4 | 23.25 | 23.25 | 23.65 | 15 |
| 17 | 16 | 18.4 | 24.25 | 24.25 | 24.65 | 16 |
| 18 | 17 | 19.4 | 25.25 | 25.25 | 25.65 | 17 |
| 19 | 18 | 20.4 | 26.25 | 26.25 | 26.65 | 18 |
| 20 | 19 | 21.4 | 27.25 | 27.25 | 27.65 | 19 |
| 21 | 20 | 22.4 | 28.25 | 28.25 | 28.65 | 20 |
| 22 | 21 | 23.4 | 29.25 | 29.25 | 29.65 | 21 |
| 23 | 22 | 24.4 | 30.25 | 30.25 | 30.65 | 22 |
| 24 | 23 | 25.4 | 31.25 | 31.25 | 31.65 | 23 |
| 25 | 24 | 26.4 | 32.25 | 32.25 | 32.65 | 24 |
| 26 | 25 | 27.4 | 33.25 | 33.25 | 33.65 | 25 |
| 27 | 26 | 28.4 | 34.25 | 34.25 | 34.65 | 26 |
| 28 | 27 | 29.4 | 35.25 | 35.25 | 35.65 | 27 |
| 29 | 28 | 30.4 | 36.25 | 36.25 | 36.65 | 28 |
| 30 | 29 | 31.4 | 37.25 | 37.25 | 37.65 | 29 |

注文コード ORDERING CODE
00 6200 XX7 XXX 800+

RoHS 対応品
 RoHS Compliant Product

00: トレー梱包 TRAY PACKAGE スズ銅めっき Sn-Cu Plated

極数 NUMBER OF POSITIONS バリエーション VARIATION CODE
 052: 金具付/ボス付 With Metal Tab and Bosses
 032: 金具付 With Metal Tab

生産対応可能極数については、営業部に
 ご確認願います。
 Feel free to contact our sales department
 for available numbers of positions.

1.0mm Pitch

SERIES

6200

エンボス梱包品
Tape and Reel Package



| 型番 ASSEMBLY NO. | 極数 NO. OF POS. | A | B |
|----------------------|----------------------|------|------|
| 00 6200 505 130 000+ | 5 | 12.7 | 5.0 |
| 506 | 6 | 13.7 | 6.0 |
| 507 | 7 | 14.7 | 7.0 |
| 508 | 8 | 15.7 | 8.0 |
| 509 | 9 | 16.7 | 9.0 |
| 510 | 10 | 17.7 | 10.0 |
| 00 6200 511 130 000+ | 11 | 18.7 | 11.0 |

SECT. D-D



| 型番 ASSEMBLY NO. | 極数 NO. OF POS. | A | B |
|----------------------|----------------------|------|------|
| 00 6200 512 230 000+ | 12 | 19.7 | 12.0 |
| 513 | 13 | 20.7 | 13.0 |
| 514 | 14 | 21.7 | 14.0 |
| 515 | 15 | 22.7 | 15.0 |
| 00 6200 516 230 000+ | 16 | 23.7 | 16.0 |

SECT. D-D



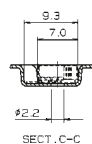
| 型番 ASSEMBLY NO. | 極数 NO. OF POS. | A | B |
|----------------------|----------------------|------|------|
| 00 6200 517 330 000+ | 17 | 24.7 | 17.0 |
| 518 | 18 | 25.7 | 18.0 |
| 519 | 19 | 26.7 | 19.0 |
| 520 | 20 | 27.7 | 20.0 |
| 521 | 21 | 28.7 | 21.0 |
| 522 | 22 | 29.7 | 22.0 |
| 523 | 23 | 30.7 | 23.0 |
| 524 | 24 | 31.7 | 24.0 |
| 525 | 25 | 32.7 | 25.0 |
| 526 | 26 | 33.7 | 26.0 |
| 00 6200 527 330 000+ | 27 | 34.7 | 27.0 |

SECT. D-D



| 型番 ASSEMBLY NO. | 極数 NO. OF POS. | A | B |
|----------------------|----------------------|------|------|
| 00 6200 528 430 000+ | 28 | 35.7 | 28.0 |
| 00 6200 529 430 000+ | 29 | 36.7 | 29.0 |
| 00 6200 530 430 000+ | 30 | 37.7 | 30.0 |

SECT. D-D



SECT. C-C

注文コード ORDERING CODE
00 6200 5XX X30 000+

RoHS 対応品
RoHS Compliant Product

極数
NUMBER
OF
POSITIONS

- バリエーション VARIATION CODE
- 1: エンボス Tape & Reel 24.0mm
 - 2: エンボス Tape & Reel 32.0mm
 - 3: エンボス Tape & Reel 44.0mm
 - 4: エンボス Tape & Reel 56.0mm

RoHS Compliant Product

トレー梱包品 : 00 6200 XX7 032 800+
TRAY PACKAGE : 00 6200 XX7 032 800+

生産対応可能極数については、営業部に
ご確認願います。

Feel free to contact our sales department
for available numbers of positions.

梱包数量 1000個/リール
PACKING QUANTITY : 1000/Reel