

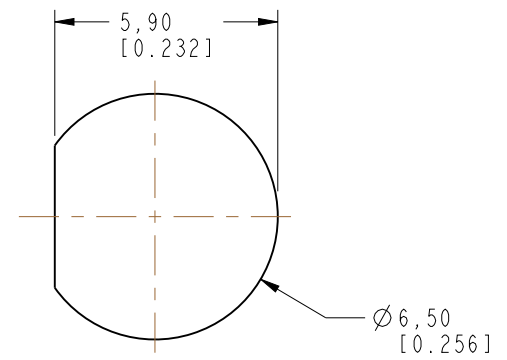
NOTES:

1. MATERIALS AND FINISHES:
 BODY - BRASS, GOLD PLATING.
 CONTACT - BeCu, GOLD PLATING.
 INSULATOR - PTFE, NATURAL
 NUT - BRASS, NICKEL PLATING
2. ELECTRICAL:
 A. IMPEDANCE: 75 OHM
 B. FREQUENCY RANGE: DC-18 GHz
 C. RETURN LOSS (VSWR): -25dB (1.12) MAX DC-6 GHz
 -20dB (1.22) MAX 6-12 GHz
 D. DIELECTRIC WITHSTANDING VOLTAGE: 1000 VRMS, MIN.
3. MECHANICAL:
 A. DURABILITY: 500 CYCLES MIN.
 B. TEMPERATURE RANGE: -65° C TO +165° C
4. PACKAGING:
 A. QUANTITY: SINGLE PACK
 B. MARKING: BAG TO BE MARKED:
 "AMPHENOL RF, 34-1028H-12G DATE CODE"

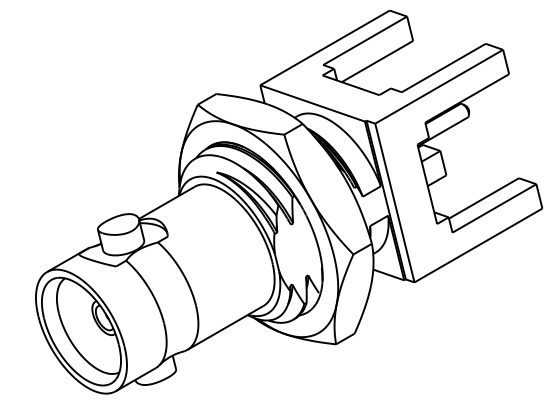
THIRD ANGLE PROJ.

REVISIONS

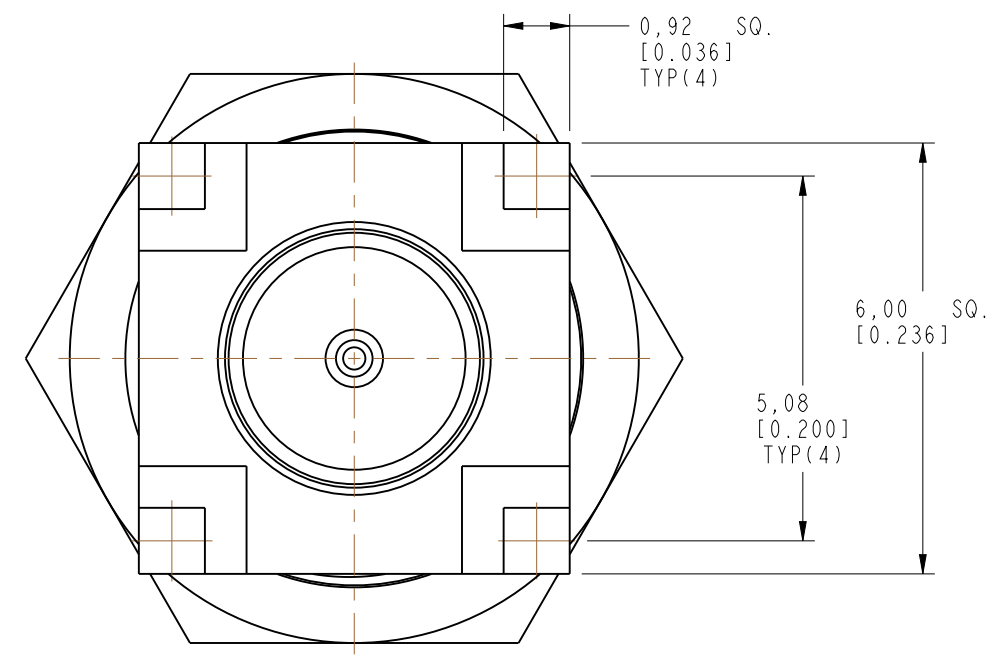
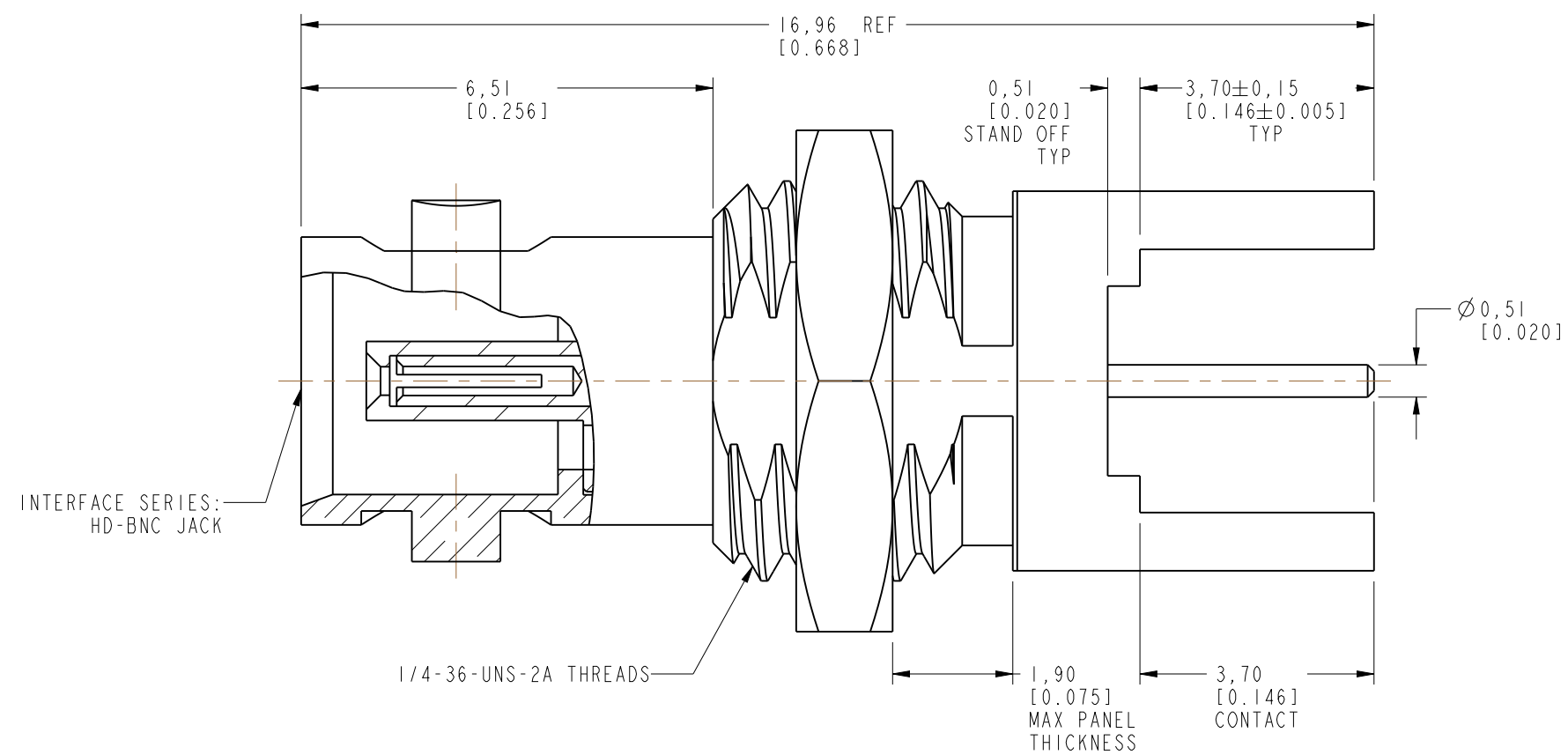
REV	DESCRIPTION	DATE	ECN	APPR
A	RELEASE TO MFG.	13-Mar-18	7181	BMG



SCALE 5.000
RECOMMENDED PANEL CUTOUT
DIMENSIONS



SCALE 4.000



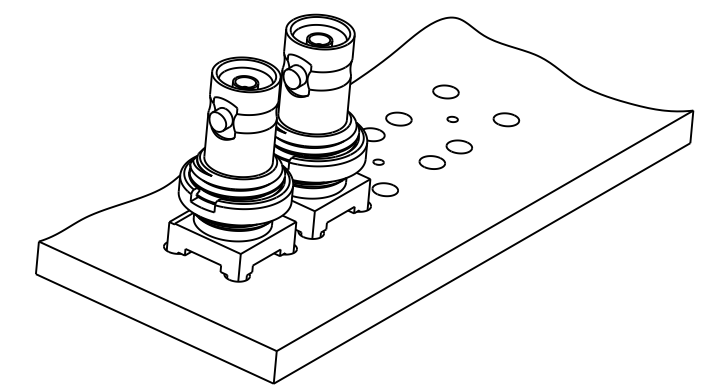
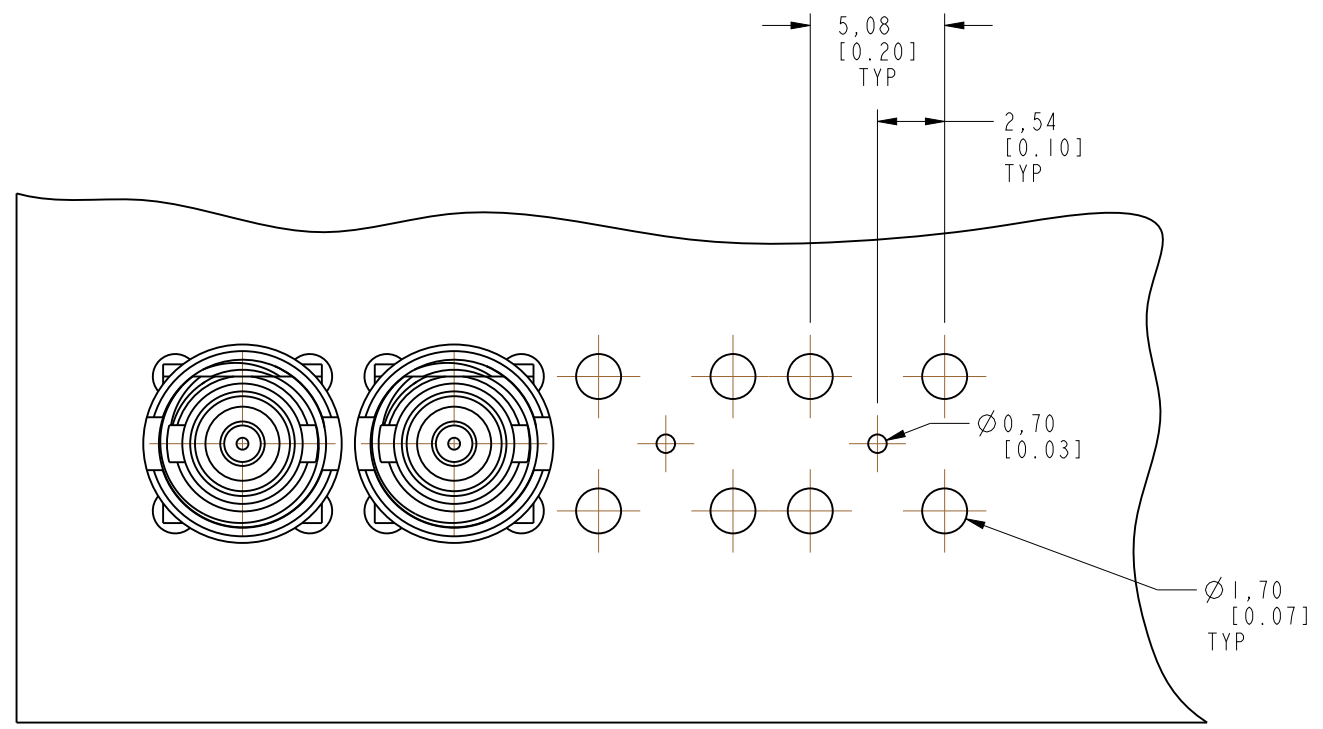
CUSTOMER OUTLINE DRAWING
 ALL OTHER SHEETS ARE FOR INTERNAL USE ONLY

UNLESS OTHERWISE SPECIFIED, DIMENSIONS ARE IN METRIC AND TOLERANCES ARE: <0.5mm ±0.05mm 0.5 - 6mm ±0.1mm 6 - 30mm ±0.2mm 30 - 120mm ±0.3mm ANGLES ±1°	MATERIAL	DRAWN	DATE	TITLE HB-BNC STR BHD JACK RECEPTACLE THRU HOLE PCB		Amphenol RF www.amphenolrf.com	
	SEE NOTES	B. GREENBAUM	27-Nov-17				
	REFERENCE	ENGINEER	DATE	SCALE: 9.5:1.0 SHEET 2 OF 3		DRAWING NO. 34-1028H-12G	
	EAR# 8093	B. GREENBAUM	27-Nov-17				
	REF: 34-1018-12G	APPROVED	DATE	DWG SIZE B		REV A	
CONFIGURATION LEVEL: In Work	K. CAPOZZI	13-Mar-18	PART NO. 34-1028H-12G				
NOTICE - These drawings, specifications, or other data (1) are, and remain the property of Amphenol corp. (2) must be returned upon request; and (3) are confidential and not to be disclosed to any person other than those to whom they are given by Amphenol Corp. the furnishing of these drawings, specifications, or other data by Amphenol Corp., or to any other person to anyone for any purpose is not to be regarded by implication or otherwise in any manner licensing, granting rights to permitting such holder or any other person to manufacture, use or sell any product, process or design, patented or otherwise, that may in any way be related to or disclosed by said drawings, specifications, or other data.	FINISH	CAD FILE					

THIRD ANGLE PROJ.

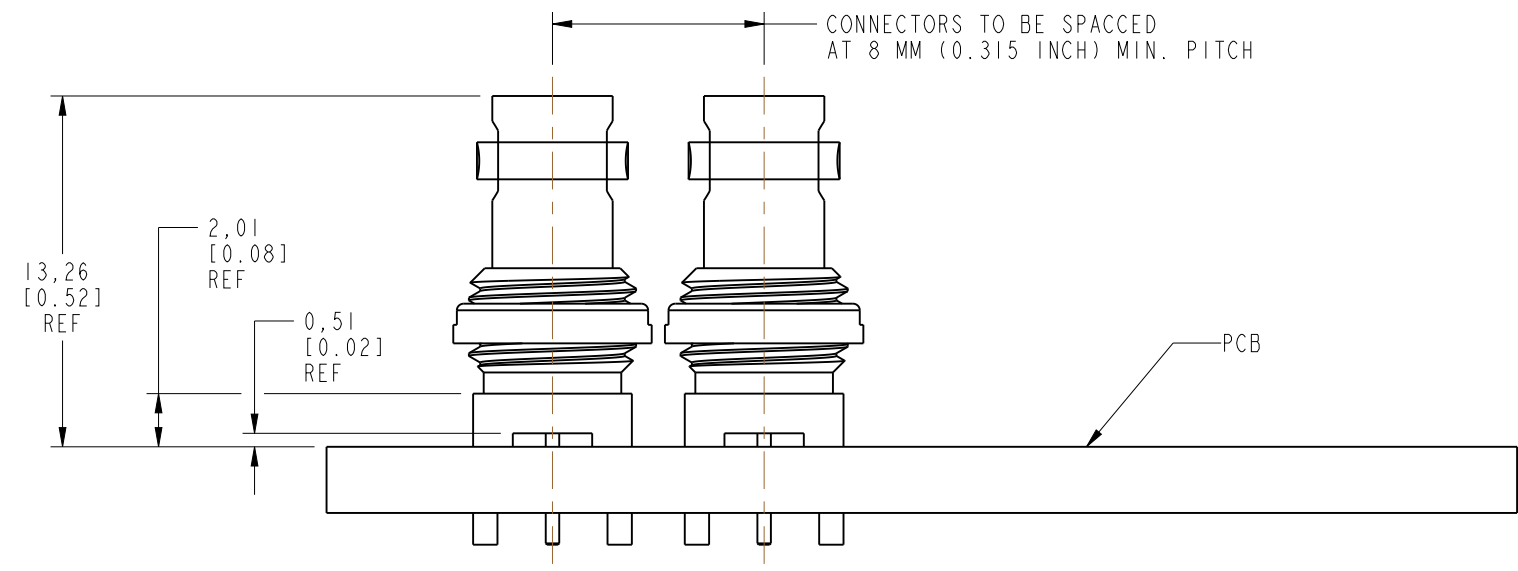
REVISIONS

REV	DESCRIPTION	DATE	ECN	APPR
A	RELEASE TO MFG.	13-Mar-18	7181	BMG



SCALE 2.000

RECOMMENDED PCB MOUNTING HOLES



CUSTOMER OUTLINE DRAWING

ALL OTHER SHEETS ARE FOR INTERNAL USE ONLY

<p>UNLESS OTHERWISE SPECIFIED, DIMENSIONS ARE IN METRIC AND TOLERANCES ARE: <0.5mm ±0.05mm 0.5 - 6mm ±0.1mm 6 - 30mm ±0.2mm 30 - 120mm ±0.3mm ANGLES ±1°</p> <p>NOTICE - These drawings, specifications, or other data (1) are, and remain the property of Amphenol corp. (2) must be returned upon request; and (3) are confidential and not to be disclosed to any person other than those to whom they are given by Amphenol Corp. the furnishing of these drawings, specifications, or other data by Amphenol Corp., or to any other person to anyone for any purpose is not to be regarded by implication or otherwise in any manner licensing, granting rights to permitting such holder or any other person to manufacture, use or sell any product, process or design, patented or otherwise, that may in any way be related to or disclosed by said drawings, specifications, or other data.</p>	<p>MATERIAL</p> <p>-</p>	<p>DRAWN</p> <p>B. GREENBAUM</p>	<p>DATE</p> <p>27-Nov-17</p>	<p>TITLE</p> <p>HB-BNC STR BHD JACK RECEPTACLE THRU HOLE PCB</p>	<p>Amphenol RF</p> <p>www.amphenolrf.com</p>
	<p>REFERENCE</p> <p>EAR# 8093</p> <p>REF: 34-1018-12G</p>	<p>ENGINEER</p> <p>B. GREENBAUM</p>	<p>DATE</p> <p>27-Nov-17</p>		
	<p>CONFIGURATION LEVEL: In Work</p>	<p>APPROVED</p> <p>K. CAPOZZI</p>	<p>DATE</p> <p>13-Mar-18</p>	<p>SCALE: 15.0:1.0</p> <p>SHEET 3 OF 3</p>	<p>ITEM NO.</p> <p>34-1028H-12G</p>
	<p>FINISH</p>	<p>CAD FILE</p>	<p>DWG SIZE</p> <p>B</p>	<p>REV</p> <p>A</p>	<p>PART NO.</p> <p>34-1028H-12G</p>