

# .039 Centers - Size 30 Series SS

## SS-30 Probe



## PROBE SPECIFICATIONS

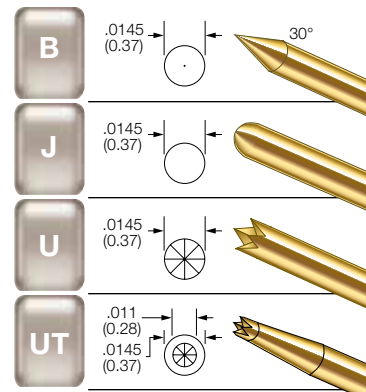
**Minimum Centers:** .039 (0.99)  
**Current Rating:** 3 amps continuous  
**Spring Force:** 1.3 or 1.6 oz. @ .067 (1.70) travel  
**Typical Resistance:** < 40 mΩ  
**Maximum Travel:** .100 (2.54)  
**Working Travel:** .067 (1.70)

Rated Force oz. (g)	Preload oz. (g)	Material
1.3 (37)	0.5 (14)	SS
1.6 (45)	0.5 (14)	MW

## MATERIALS

**Barrel:** Nickel/silver, preplated gold  
**Spring:** Stainless steel or music wire, gold plated  
**Plunger:** Beryllium copper, gold plated over nickel or Duralloy™  
**Receptacle:** Nickel/silver, preplated gold

## BeCu PLUNGER TIPS



## RECEPTACLE OPTIONS

Part Number	Style	Receptacle Length	Probe/Receptacle Combined Length	Comments
R-SS-30-CR	Crimp	0.697 (17.70)	0.807 (20.50)	–
R-SS-30-SC	Solder Cup	0.697 (17.70)	0.807 (20.50)	–
R-SS-30-PS	Preattached Wire*	0.697 (17.70)	0.807 (20.50)	30 gage, vacuum sealed

## HOW TO ORDER: SPRING CONTACT PROBE

**SS** SERIES    **30** SIZE    **B** TIP STYLE    **1.3** SPRING FORCE    **G** PLATING OPTIONS

**SPRING FORCE:**  
 1.3 oz. @ .067 (1.70) TRAVEL  
 1.6 oz. @ .067 (1.70) TRAVEL

**PLATING OPTIONS:**  
**G:** GOLD PLATED PLUNGER  
**D:** DURALLOY™ PLATED PLUNGER

**CRIMPING PLIERS:** CPSS30  
**INSERTION TOOL:** RTSS30

## RECEPTACLE

**R-SS** SERIES    **30** SIZE    **CR** TERMINATIONS

**TERMINATIONS:**  
**CR:** CRIMP  
**SC:** SOLDER CUP  
**PS:** PREATTACHED WIRE\*

\* UNLESS OTHERWISE SPECIFIED, WIRE LENGTH 36" WITH A 1" SEMI-STRIP. 12" & 36" STANDARD.

VIEW UPDATES OF THIS INFORMATION AT [WWW.IDINET.COM](http://WWW.IDINET.COM)

Specifications subject to change without notice. Dimensions in inches (millimeters)