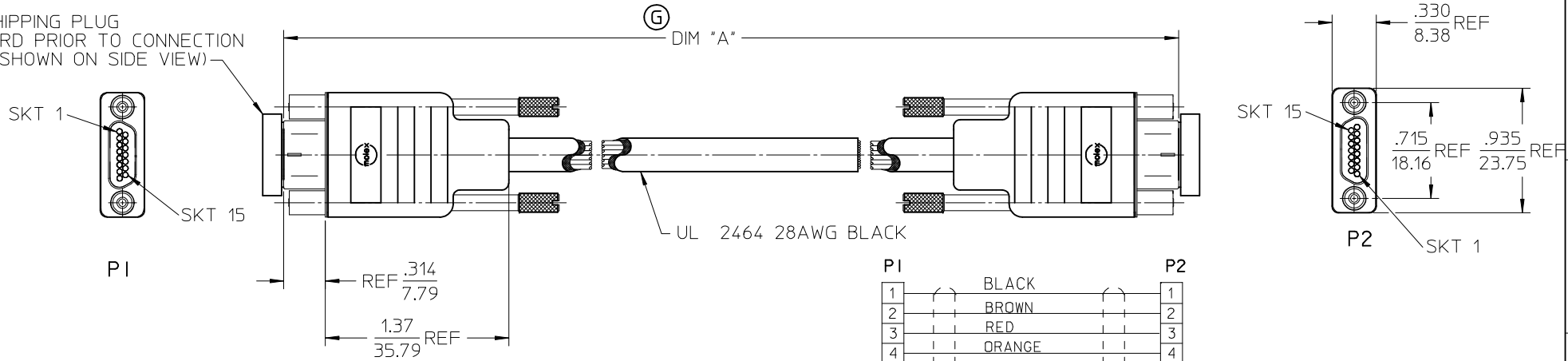


MATERIAL NO.	ENGINEERING NO.	DIM 'A' INCH	DIM 'A' MM
834229052	83422-9052	8.00+.59/-0.00	203+15/-00
834229053	83422-9053	18.00+.39/-0.39	457+10/-10
834229054	83422-9054	36.00+.75/-0.59	914+20/-00
834229055	83422-9055	72.00+1.50/-0.00	1829+40/-00
834229065	83422-9065	98.43+1.50/-0.00	2500+40/-00
834229072	83422-9072	60.00+1.50/-0.00	1524+40/-00

2X SHIPPING PLUG
DISCARD PRIOR TO CONNECTION
(NOT SHOWN ON SIDE VIEW)



P1		P2
1	BLACK	1
2	BROWN	2
3	RED	3
4	ORANGE	4
5	YELLOW	5
6	GREEN	6
7	BLUE	7
8	PURPLE	8
9	GRAY	9
10	WHITE	10
11	PINK	11
12	LIGHT GREEN	12
13	BLACK/WHITE	13
14	BROWN/WHITE	14
15	RED/WHITE	15
SHELL	D.W+BD	SHELL

CUSTOMER PRODUCTION APPROVAL
APPROVED BY: _____
DATE: _____
MUST BE SIGNED AND RETURNED BEFORE
PRODUCTION WILL BEGIN.

SALES DRAWING

NOTES:
1) REFER TO PS-83421-001 FOR PRODUCT SPEC.
2) RoHS COMPLIANT

CHG DIM'A' LOCATION EC NO: IFC2014-0962 DRW: BRUPERT 2013/11/25 CHKD: BWOODMAN 2013/12/06 APPR: BWOODMAN	QUALITY SYMBOLS ▽=0 ▽=0	GENERAL TOLERANCES (UNLESS SPECIFIED) mm INCH 4 PLACES ± --- ± --- 3 PLACES ± --- ± --- 2 PLACES ± --- ± --- 1 PLACE ± --- ± --- ANGULAR ±1/2°	DIMENSION STYLE IN/MM DRAWN BY DATE JLOMASTR 04/09/23 CHECKED BY DATE RDEROSS 04/09/23 APPROVED BY DATE RDEROSS 04/09/29	SCALE DESIGN UNITS INCH THIRD ANGLE PROJECTION	COMMERCIAL MICRO D 15 SOCKET / 15 SOCKET CABLE ASSEMBLY MOLEX INCORPORATED
	DRAFT WHERE APPLICABLE MUST REMAIN WITHIN DIMENSIONS		MATERIAL NO. SEE CHART	DOCUMENT NO. SD-83422-005	SHEET NO. 1 OF 1
	THIS DRAWING CONTAINS INFORMATION THAT IS PROPRIETARY TO MOLEX INCORPORATED AND SHOULD NOT BE USED WITHOUT WRITTEN PERMISSION				
	SIZE B				