

# Tip Jacks

## Insulated Standard: Rib-Loc<sup>®</sup> Type



INCHES (MILLIMETERS)  
CUSTOMER DRAWINGS AVAILABLE UPON REQUEST

### SPECIFICATIONS

**Contact:** Brass body per QQ-B-626D with wrap around beryllium copper spring per QQ-C-553

**Finish:** Silver

**Body:** Nylon 6/6 per ASTM D4066

**Panel Thickness:** Up to .375 (9.05)

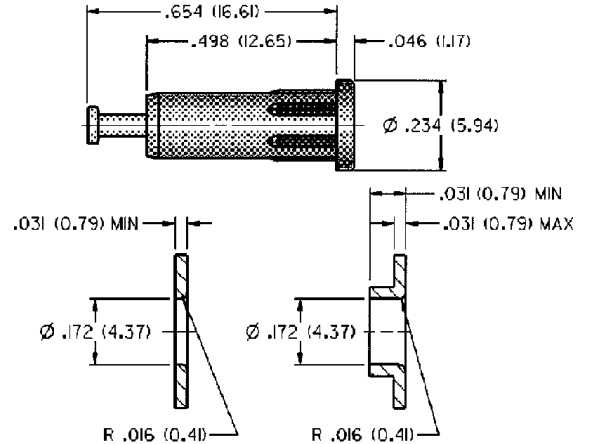
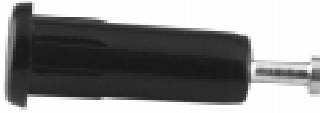
### RATINGS

**Current:** 5 amps

**Breakdown Voltage:** 3500 Vrms minimum

**Contact Resistance:** 0.005 ohms maximum

**Adjacent Jack C:** 1 pF nominal



MOUNTING HOLE OPTIONS

SILVER PLATING	
105-1041-001	White

**For Standard Tip Plug: .080 (2.00) Diameter**

### FEATURES:

- Machined contact with turret terminal
- Installs by pressing into mounting hole, no mounting hardware required
- Closed entry blocks access or probes greater than .085 (2.16)
- Nylon UL approved for self extinguishing