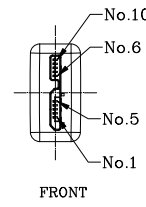
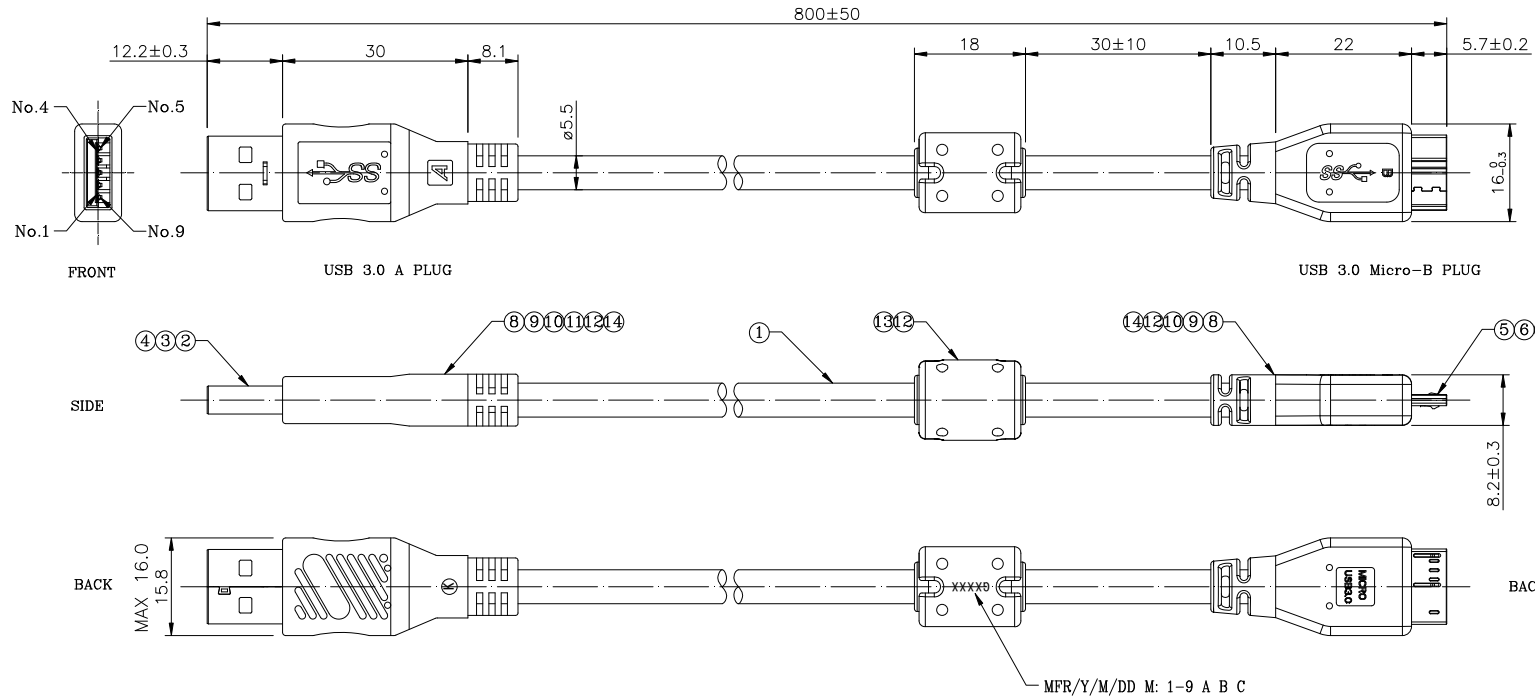


PRODUCT NUMBER
10131524-000XLF



SIDE

BACK

PIN TO PIN

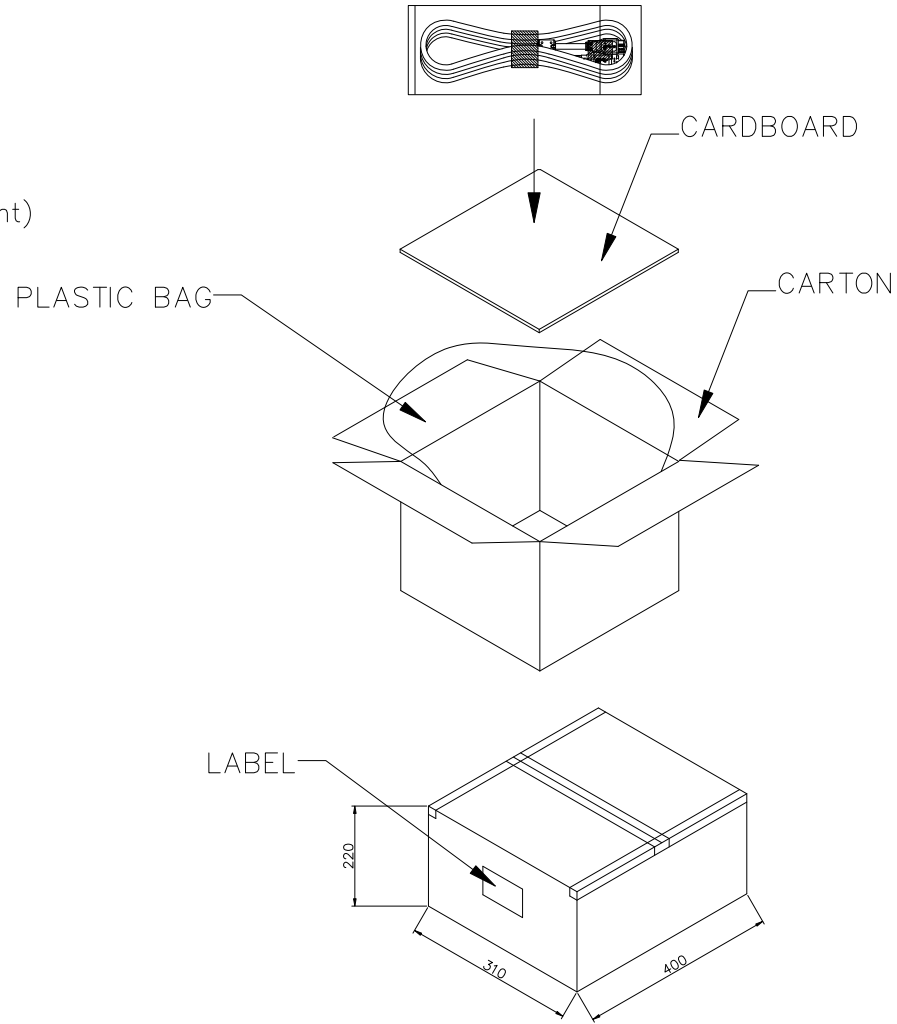
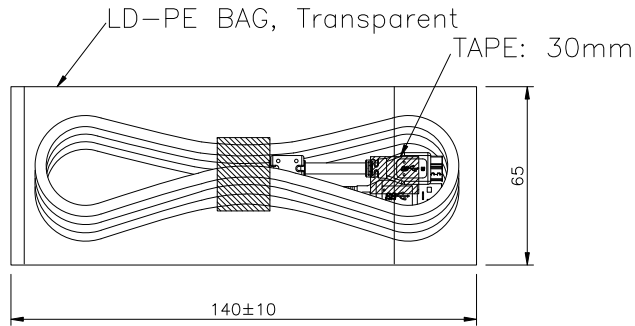
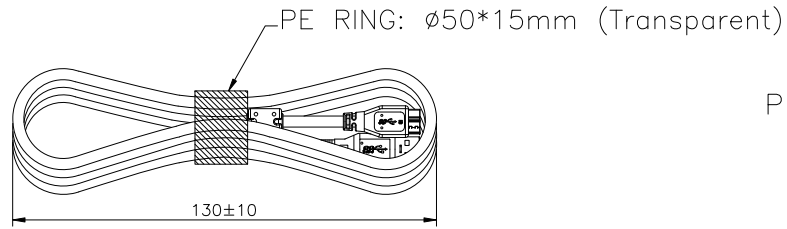
| USB 3.0 A PLUG | CABLE COLOR | USB 3.0 Micro-B PLUG |
|----------------|-------------|----------------------|
| 1 | RED | 1 |
| 2 | WHITE | 2 |
| 3 | GREEN | 3 |
| 4 | BLACK | 5 |
| 5 | BLUE | 6 |
| 6 | YELLOW | 7 |
| 7 | D.W | 8 |
| 8 | D.W | 9 |
| 9 | VIOLET | 9 |
| 9 | ORANGE | 10 |
| SHELL | Braid+Drain | SHELL |

NOTE:
 1. PRODUCT SPECIFICATION: GS-12-1285.
 2. PACKAGE SPECIFICATION: SEE PAGE 2.
 3. PART NUMBER:
 10131524-000 X X L F
 PLATING: _____ PACKAGE: _____
 1: G/F ON CONTACT 1: PE BAG
 2: 30u" Au ON CONTACT

| | | | |
|-----|----------------------------|---|-------|
| 14 | COPPER TAPE | COPPER ALLOY 5*28mm t=0.06mm | |
| 13 | CORE | RH 9.8*13.5*6.35 | |
| 12 | OVER MOLD | PVC BLACK | |
| 11 | INNER MOLD | PE | |
| 10 | LEAD FREE SOLDER | | |
| 9 | TUBE | ø6, BLACK | |
| 8 | TUBE | ø1, BLACK | |
| 7 | USB 3.0 Micro REAR SHELL | STEEL, Ni PLATED | 1 pcs |
| 6 | USB 3.0 Micro FRONT SHELL | STEEL, Ni PLATED | 1 pcs |
| 5 | USB 3.0 Micro-B PLUG | HSG: HIGH TEMP. THERMOPLASTIC, BLACK TERMINAL: COPPER ALLOY, OPTIONAL GOLD PLATING | 1 pcs |
| 4 | USB 3.0 A PLUG REAR SHELL | STEEL, Ni PLATED | 1 pcs |
| 3 | USB 3.0 A PLUG FRONT SHELL | STEEL, Ni PLATED | 1 pcs |
| 2 | USB 3.0 A PLUG | HSG: HIGH TEMP. THERMOPLASTIC, BLUE TERMINAL: COPPER ALLOY, OPTIONAL GOLD PLATING | 1 pcs |
| 1 | CABLE | UL 20276, FOR USB 3.0, BLACK, OD=5.5mm | |
| NO. | PART NAME | MATERIAL | QTY. |

| mat'l. code | | surface | tolerance | projection | product family |
|--------------------|----------------|---------------------------------------|---|------------|---|
| ltr ecn no dr date | | tolerances unless otherwise specified | | MM | USB 3.0 |
| A TAI 2014-12-30 | | angles | 16<L≤63 ±0.4 4<L≤16 ±0.3 L≤4 ±0.2 | | title CABLE ASS'Y, USB 3.0 A PLUG TO USB 3.0 MICRO-B PLUG |
| | | dr | KENNY TAI 2014-11-27 | scale | sheet 1 of 2 size A4 |
| | | enr | KENNY TAI 2014-11-27 | | dwg no 10131524 |
| | | chr | KENNY TAI 2014-11-27 | | type CUSTOMER Drawing |
| | | appd | PM ZHENG 2014-12-30 | | |
| sheet index | revision sheet | A 1 | A 2 | | |

PRODUCT NUMBER
10131524-000XLF



NOTE:

1. PUT 4 DESICCANTS INTO THE PLASTIC BAG.
2. PACKAGE Q'TY:

| PE BAG | CARTON | Net Wt. | Gross Wt. |
|---------|------------|---------|-----------|
| 1 CABLE | 270 CABLES | 12.6 Kg | 14.1 Kg |

| | | | | | |
|-------------|----------------|---------------------------------------|---|------------|---|
| mat'l. code | | surface | tolerance | projection | product family |
| ltr | | tolerances unless otherwise specified | | MM | USB 3.0 |
| ecn no | dr | date | angles | | title |
| | | | 16<L≤63 ±0.4 4<L≤16 ±0.3 X°±5° L≤4 ±0.2 | scale | CABLE ASS'Y, USB 3.0 A PLUG TO USB 3.0 MICRO-B PLUG |
| | | | dr | | dwg no sheet 2 of 2 size |
| | | | enr | | 10131524 A4 |
| | | | chr | | type |
| | | | appd | | CUSTOMER Drawing |
| sheet index | revision sheet | A | A | | |
| | | 1 | 2 | | |