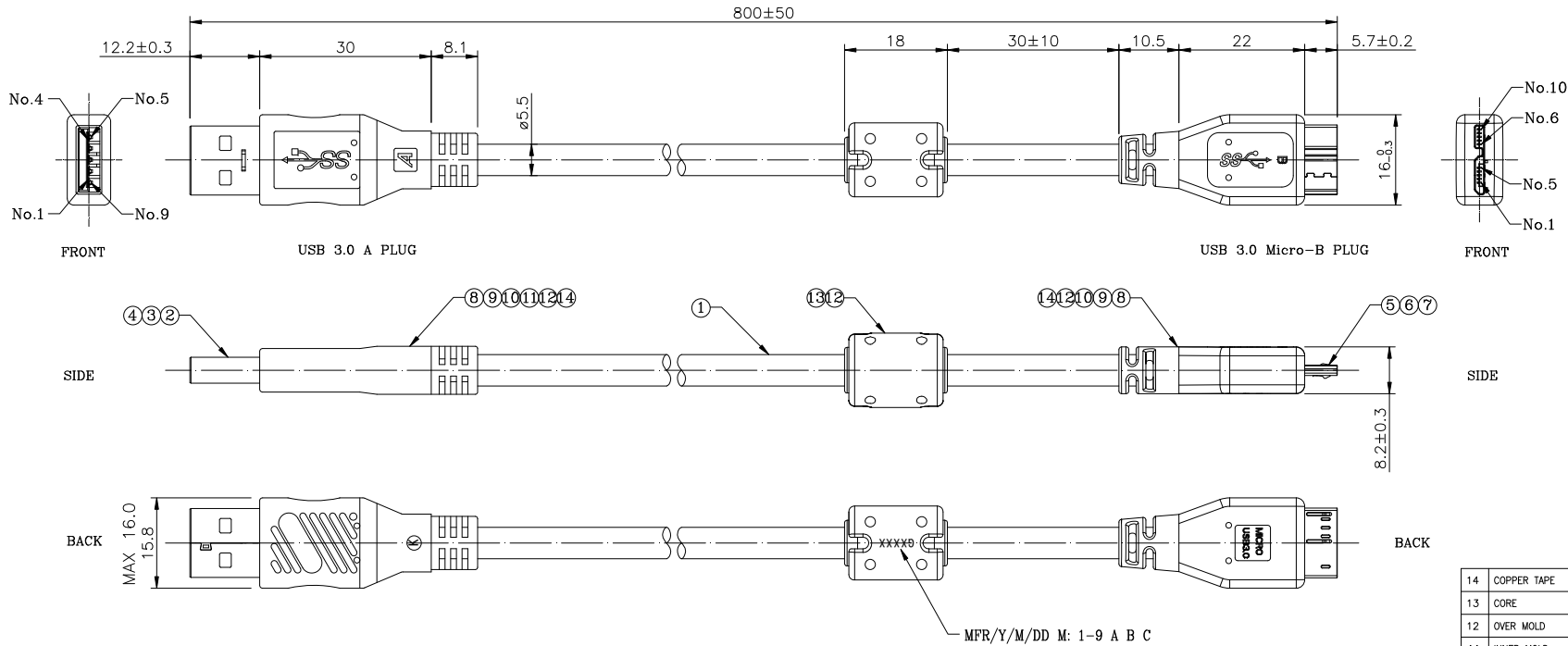


PRODUCT NUMBER
10131524-000XLF



PIN TO PIN

USB 3.0 A PLUG	CABLE COLOR	USB 3.0 Micro-B PLUG
1	RED	1
2	WHITE	2
3	GREEN	3
4	BLACK	5
5	BLUE	6
6	YELLOW	7
7	D.W	8
8	D.W	9
9	VIOLET	9
9	ORANGE	10
SHELL	Braid+Drain	SHELL

NOTE:

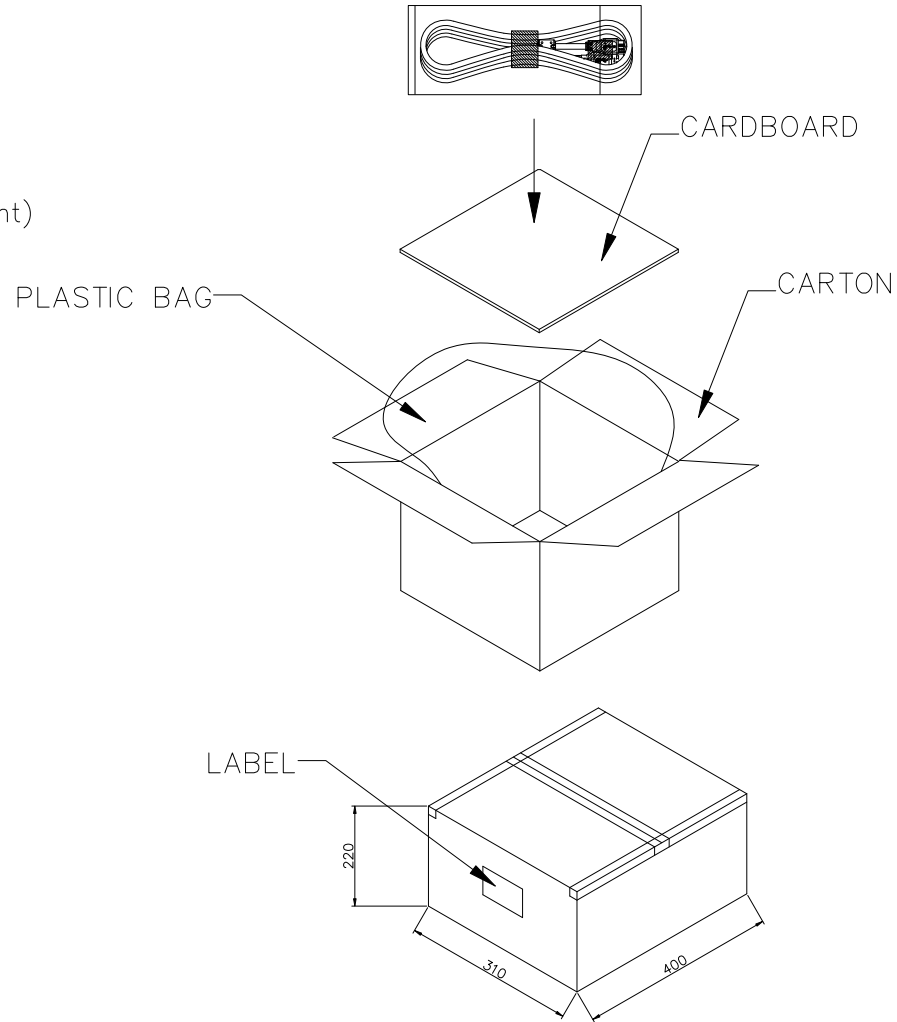
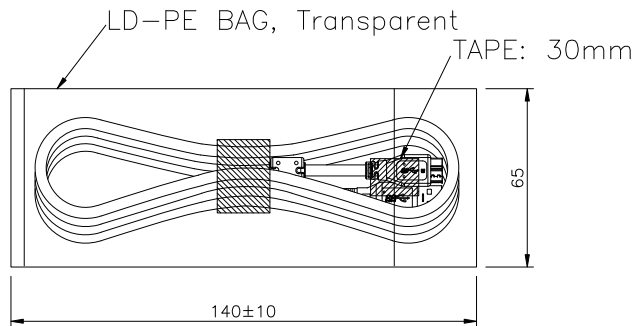
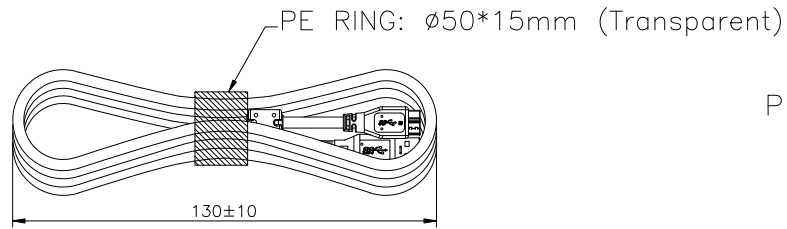
1. PRODUCT SPECIFICATION: GS-12-1285.
2. PACKAGE SPECIFICATION: SEE PAGE 2.
3. PART NUMBER:
10131524-000 X X L F

PLATING: _____ PACKAGE: _____
 1: G/F ON CONTACT 1: PE BAG
 2: 30u" Au ON CONTACT

NO.	PART NAME	MATERIAL	QTY.
14	COPPER TAPE	COPPER ALLOY 5*28mm t=0.06mm	
13	CORE	RH 9.8*13.5*6.35	
12	OVER MOLD	PVC BLACK	
11	INNER MOLD	PE	
10	LEAD FREE SOLDER		
9	TUBE	ø6, BLACK	
8	TUBE	ø1, BLACK	
7	USB 3.0 Micro REAR SHELL	STEEL, Ni PLATED	1 pcs
6	USB 3.0 Micro FRONT SHELL	STEEL, Ni PLATED	1 pcs
5	USB 3.0 Micro-B PLUG	HSG: HIGH TEMP. THERMOPLASTIC, BLACK TERMINAL: COPPER ALLOY, OPTIONAL GOLD PLATING	1 pcs
4	USB 3.0 A PLUG REAR SHELL	STEEL, Ni PLATED	1 pcs
3	USB 3.0 A PLUG FRONT SHELL	STEEL, Ni PLATED	1 pcs
2	USB 3.0 A PLUG	HSG: HIGH TEMP. THERMOPLASTIC, BLUE TERMINAL: COPPER ALLOY, OPTIONAL GOLD PLATING	1 pcs
1	CABLE	UL 20276, FOR USB 3.0, BLACK, OD=5.5mm	

mat'l. code		surface	tolerance	projection	product family
ltr ecn no dr date		tolerances unless otherwise specified		 MM	USB 3.0
A TAI 2014-12-30		angles	16<L≤63 ±0.4 4<L≤16 ±0.3 L≤4 ±0.2		title
		X°±5°		scale	CABLE ASS'Y, USB 3.0 A PLUG TO USB 3.0 MICRO-B PLUG
		dr KENNY TAI 2014-11-27			sheet 1 of 2
		enr KENNY TAI 2014-11-27			size A4
		chr KENNY TAI 2014-11-27			10131524
		appd PM ZHENG 2014-12-30			CUSTOMER Drawing
sheet index	revision sheet	A 1	A 2		

PRODUCT NUMBER
10131524-000XLF



NOTE:

1. PUT 4 DESICCANTS INTO THE PLASTIC BAG.
2. PACKAGE Q'TY:

PE BAG	CARTON	Net Wt.	Gross Wt.
1 CABLE	270 CABLES	12.6 Kg	14.1 Kg

mat'l. code		surface	tolerance	projection	product family
ltr		tolerances unless otherwise specified		 MM	USB 3.0
ecn no	dr	date	angles		title
			16<L≤63 ±0.4 4<L≤16 ±0.3 X°±5° L≤4 ±0.2	 scale	CABLE ASS'Y, USB 3.0 A PLUG TO USB 3.0 MICRO-B PLUG
			dr		dwg no 10131524
			enr		sheet 2 of 2 size A4
			chr		type CUSTOMER Drawing
			appd		
sheet index	revision sheet	A	A		
		1	2		