

24 x 48 Totalizers CTR24 model with orange backlighting Part number 87622082



- Display : 8-digit LCD, height 8 mm
- Powered by a lithium battery
- Counter inputs : solid state (4-30 VDC) or voltage (10 →260 VAC)
- Reset on panel or external with inhibition option
- Backlit model (2341-2351-2342)
- Counting directions can be selected with input (2241-2341/2251-2351)
- Accessories for 50 x 25 mm cut-out

Part numbers

| Type | Type | Functions |
|----------|--------------------------------------|--|
| 87622082 | CTR24 model with orange backlighting | 2351 Solid state input, lithium battery NPN/NPN |

Specifications

Physical details and protection

| | |
|---|-------------------------------------|
| Consumption | Backlighting : 24 VDC± 20 % 50 mA |
| Connection by 8 screw terminals at rear of casing | • |
| Connection capacity | 1,5 mm ² |
| Fixed using bracket | • |
| Degree of protection front face | IP 65 |
| Temperature limits use (°C) | -10 →+60 |
| Temperature limits stored (°C) | -20 →+70 |
| Breakdown voltage | EN 61010-1 : 2000 V / 50 Hz / 1 min |
| Conformity to standards | EN 61000-6-2 - EN 55011 class B |
| Altitude | 2000 m |
| Certifications | UL - cULus (pending) - CE |
| Weight (g) | 50 |

Operating characteristics

| | |
|--------------------|--|
| Function | Impulse counter |
| Display | 8-digit LCD |
| Height digits (mm) | 8 |
| Counting capacity | -9,999,999 →99,999,999 with elimination of zeros |

Input 2241-2341

| | |
|--|---------------------------|
| 1 slow counting input for contact closure on NPN open-collector transistor input (terminals 2-6) | • |
| 1 input for high speed counting signal from voltage level (terminals 1-6) | 4 →30 VDC |
| Low level | 0 →0,7 VDC |
| High level | 4 →30 VDC PNP |
| High-speed counting | 12 K Hz max. 42 µs PNP |
| Input impedance | 100 KΩ PNP |

Input 2251-2351

| | |
|--|--------------------------|
| 1 slow counting input for contact closure on NPN open-collector transistor input (terminals 2-6) | • |
| 1 input for high speed counting signal from voltage level (terminals 1-6) | 3 →30 VDC |
| Low level | 0 →0,7 VDC |
| High level | 3 →30 VDC |
| High-speed counting | 7 K Hz max. 70 µs NPN |
| Input impedance | 1 MΩ |

Reset to zero - External 2241-2341 & 2251-2351

| | |
|---|---|
| Volt-free contact or open collector (terminals 3-6) | • |
|---|---|

Input 2242-2342

| | |
|--|----------------|
| 1 input for slow counting 2 voltage levels | • |
| Voltage - Terminals 1-2 | 10 →260 VAC/DC |
| Input impedance (kΩ) | 160 |
| Slow counting | 30 Hz |
| Minimum pulse time | 16 ms |
| Low level | 0 →2 VAC/DC |
| High level | 10 →260 VAC/DC |

Reset to zero - External 2242-2342

| | |
|-------------------------|-------|
| Voltage - Terminals 2-3 | • |
| Minimum pulse time | 16 ms |

| | |
|------------|----------------|
| Low level | 0 →2 VAC/DC |
| High level | 10 →260 VAC/DC |

Reset to zero - Panel

| | |
|-----------|---|
| Reset via | Inhibited : Terminals 4-6 not connected Active : Terminals 4-6 connected |
|-----------|---|

Supply

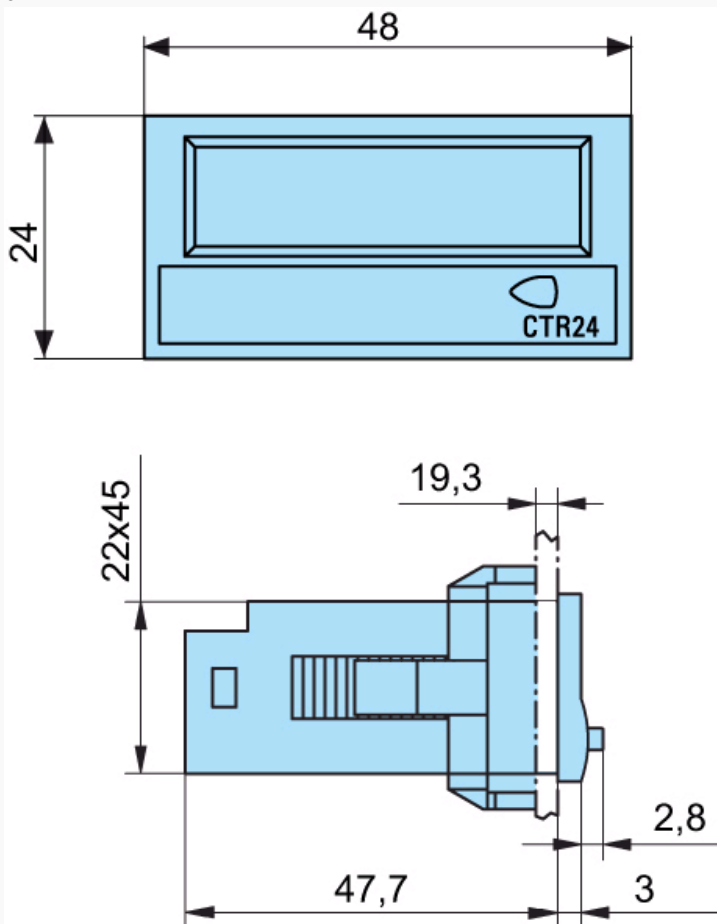
| | |
|----------------------------------|---|
| 1 lithium battery - Life (years) | 8 |
|----------------------------------|---|

Accessories

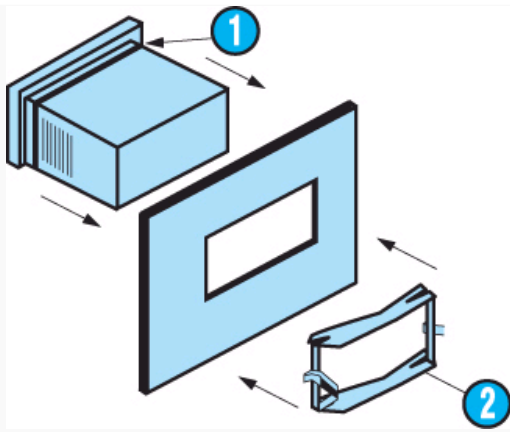
| Description | Code |
|--|----------|
| Adaptor for 50 x 25 mm cut-out - Fixed with screws | 26546843 |
| Adaptor for 50 x 25 mm cut-out - Fixed with clips | 26546844 |
| DIN rail adaptor | 26546840 |
| Clip-fixing kit (supplied with the product) | 26546848 |

Dimensions (mm)

CTR24

**Dimensions (mm)**

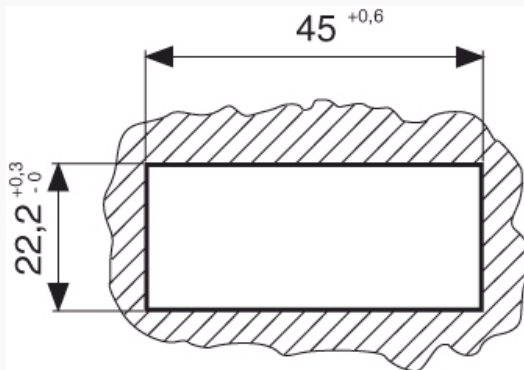
Fixing strip with clip-on yoke



| N° | Legend |
|----|-------------|
| 1 | Seal |
| 2 | Fixing yoke |

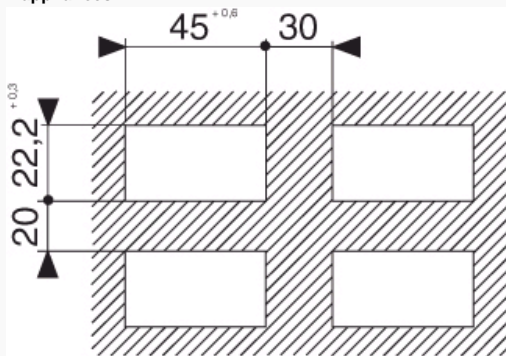
Dimensions (mm)

Panel cut-out



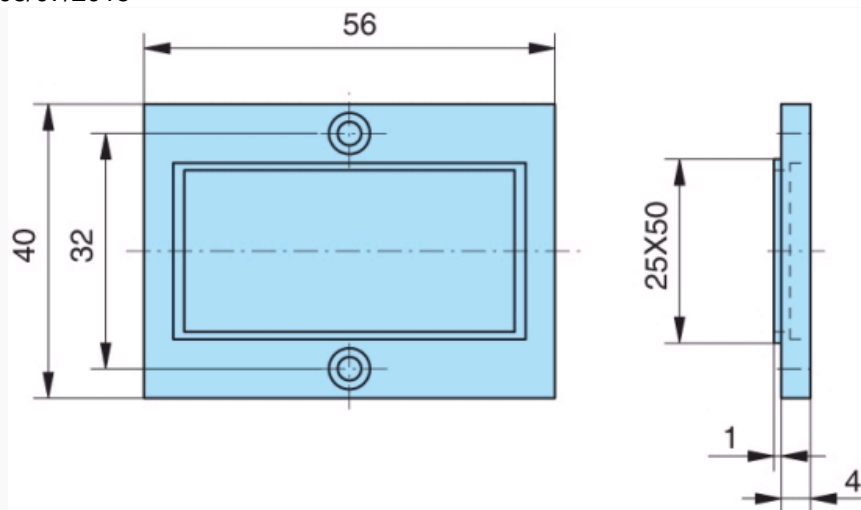
Dimensions (mm)

4 appliances

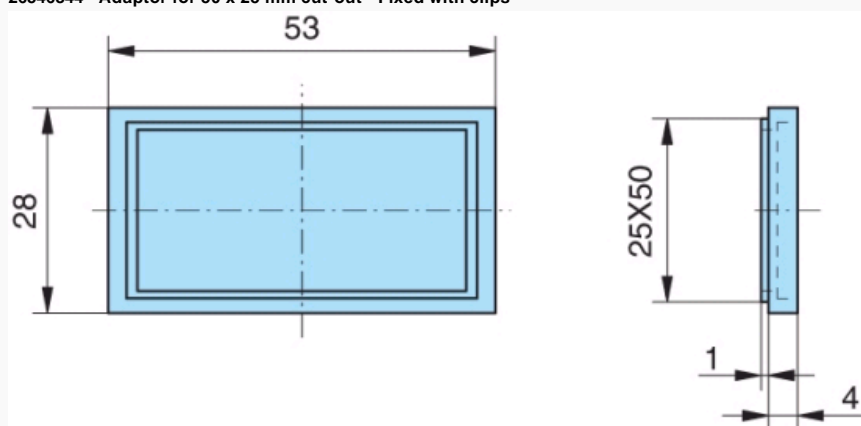


Dimensions (mm)

26546843 - Adaptor for 50 x 25 mm cut-out - Fixed with screws

**Dimensions (mm)**

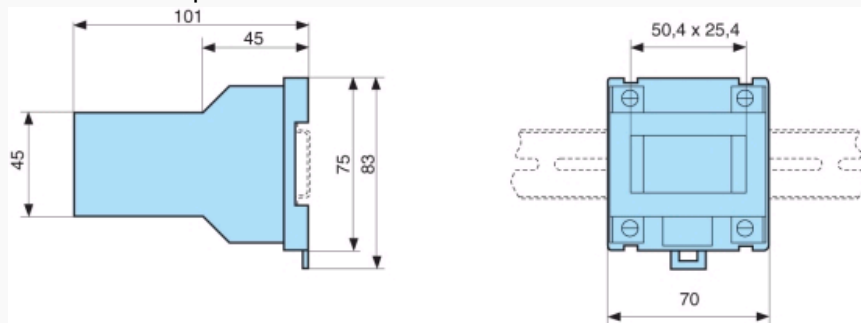
26546844 - Adaptor for 50 x 25 mm cut-out - Fixed with clips



Accessory supplied with the counter

Dimensions (mm)

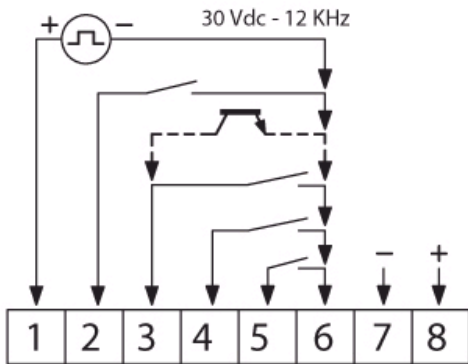
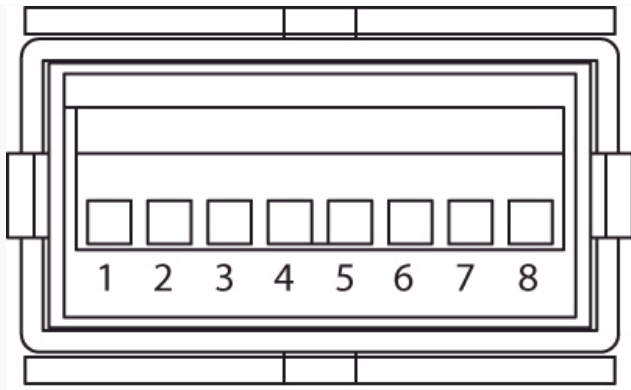
26546840 - DIN rail adaptor



Accessory supplied with the counter

Connections

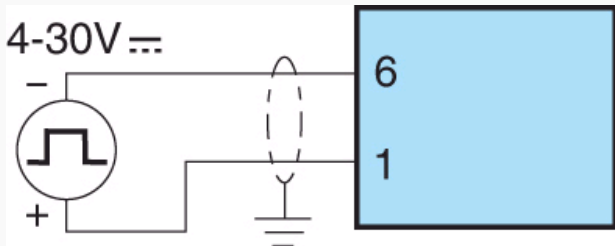
2241-2341



| N° | Legend |
|----|-----------------------------------|
| 1 | Fast count |
| 2 | Slow count |
| 3 | Reset input 12 ms |
| 4 | Enable panel reset |
| 5 | Mode 1 (Time selection) |
| 6 | 0 V common/ (BL- only 23xx) |
| 7 | Backlighting option + (only 2341) |
| 8 | Backlighting option + (only 2341) |

Connections

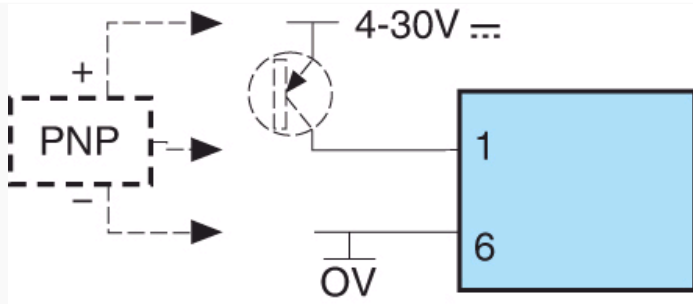
2241-2341



Fast count input PNP Transistor or 3-wire PNP proximity sensor (for leakage current detector ≤ 1 mA)

Connections

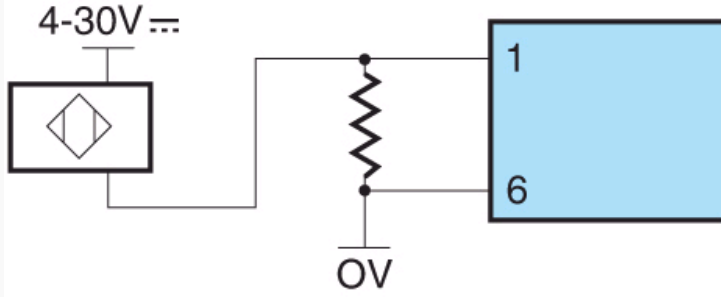
2241-2341



2-wire proximity sensor fast count input

Connections

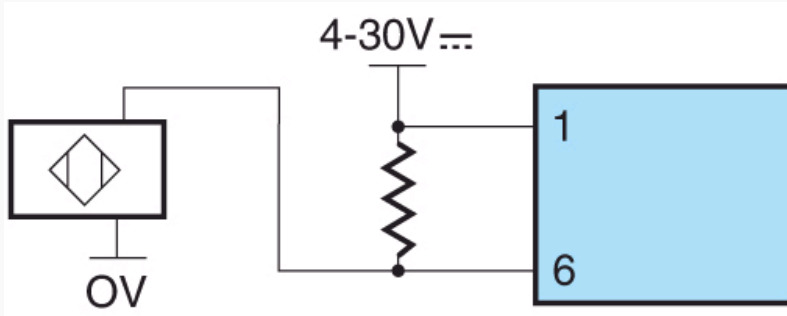
2241-2341



2-wire proximity sensor fast count input

Connections

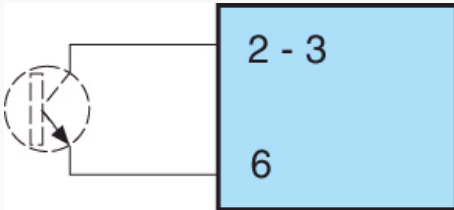
2241-2341



Slow count input (2) or reset input (3)

Connections

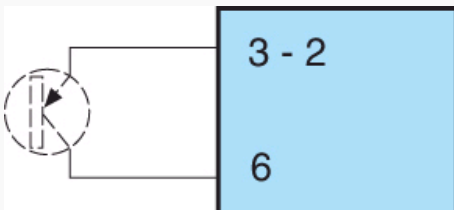
2241-2341



Slow count input (2) or reset input (3)

Connections

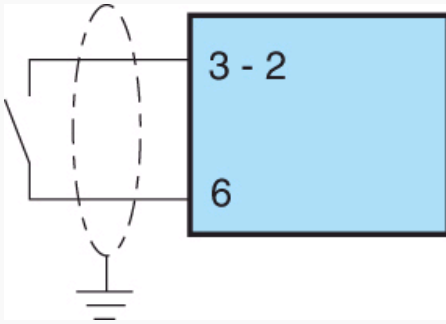
2241-2341



Slow count input (2) or reset input (3) - Contact not supplied with power

Connections

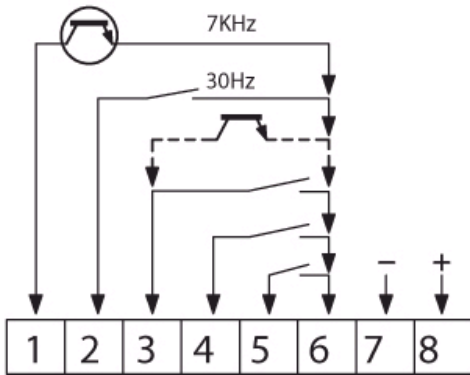
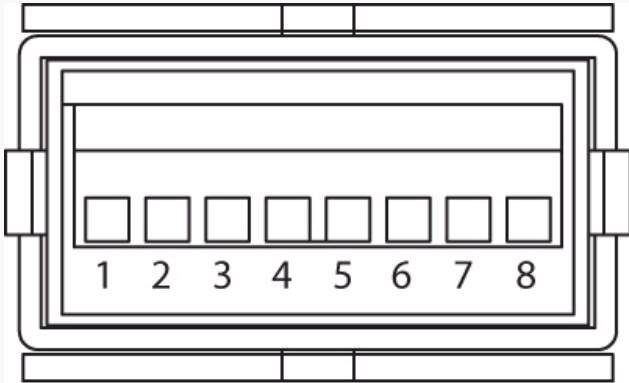
2241-2341



Slow count input (2) or reset input (3) - Contact not supplied with power

Connections

2251-2351

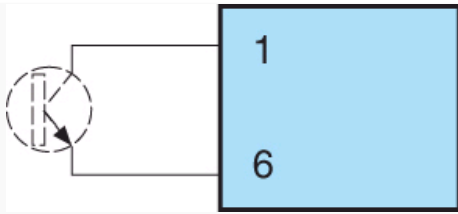


Slow count input (2) or reset input (3) - Contact not supplied with power

| N° | Legend |
|----|-----------------------------------|
| 1 | Fast count |
| 2 | Slow count |
| 3 | Reset input 12 ms |
| 4 | Enable panel reset |
| 5 | Mode 1 (Time selection) |
| 6 | 0 V common/ (BL- only 23xx) |
| 7 | Backlighting option + (only 2351) |
| 8 | Backlighting option + (only 2351) |

Connections

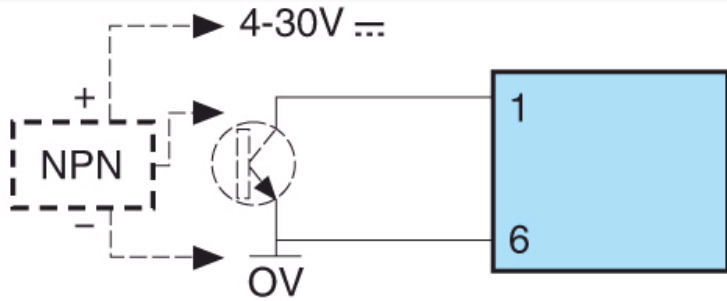
2251-2351



Fast count input NPN - Voltage

Connections

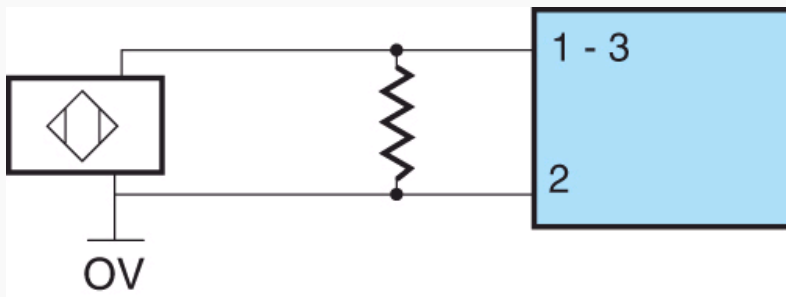
2251-2351



Fast count input NPN Transistor or 3-wire PNP proximity sensor (for leakage current detector ≤ 1 mA)

Connections

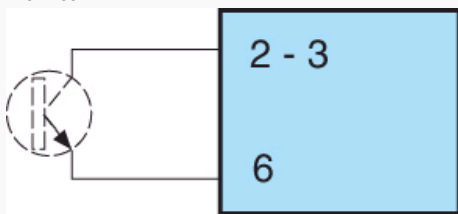
2251-2351



2-wire proximity sensor fast count input

Connections

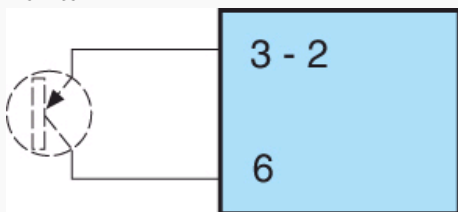
2251-2351



Slow count input (2) or reset input (3)

Connections

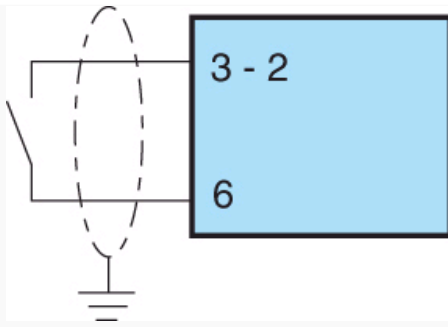
2251-2351



Slow count input (2) or reset input (3) - Contact not supplied with power

Connections

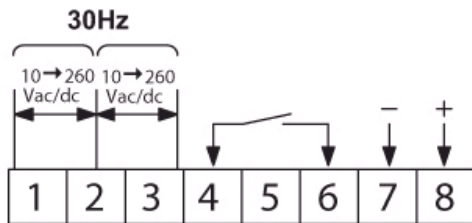
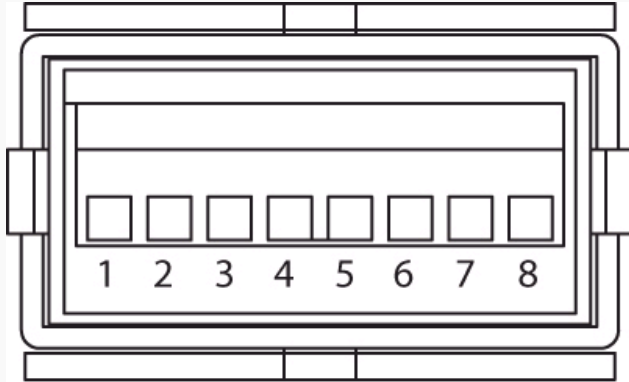
2251-2351



Slow count input (2) or reset input (3) - Contact not supplied with power

Connections

2242-2342

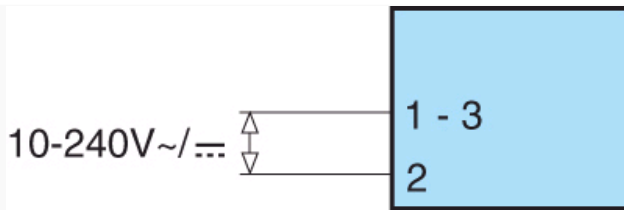


Slow count input (2) or reset input (3) - Contact not supplied with power

| N° | Legend |
|----|-----------------------------------|
| 1 | Fast count |
| 2 | AC/DC common |
| 3 | Reset input 12 ms |
| 4 | Enable panel reset |
| 5 | NC |
| 6 | 0 V common/ (BL- only 23xx) |
| 7 | Backlighting option + (only 2342) |
| 8 | Backlighting option + (only 2342) |

Connections

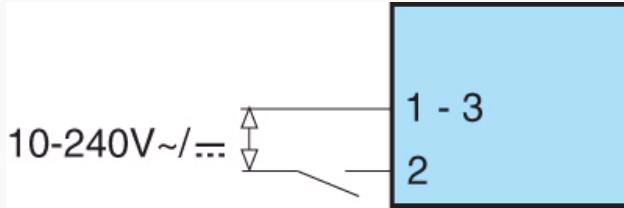
2242-2342



Counter or reset input - Voltage

Connections

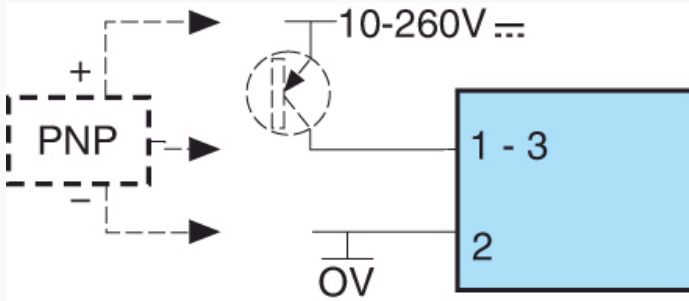
2242-2342



Counter or reset input - Contact supplied with power

Connections

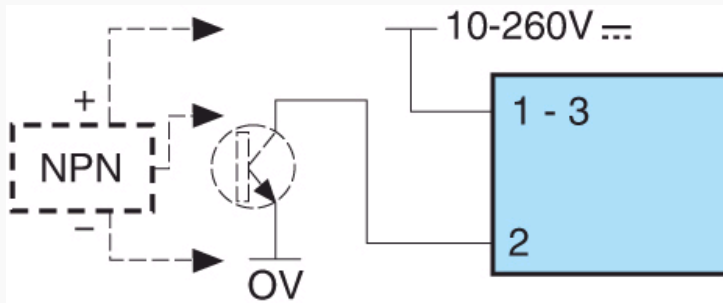
2242-2342



Counter or reset input PNP Transistor or 3-wire PNP proximity sensor (for leakage current detector < 1 mA)

Connections

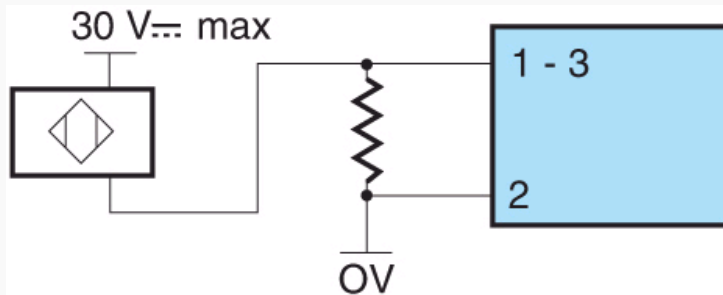
2242-2342



Counter or reset input NPN Transistor or 3-wire PNP proximity sensor (for leakage current detector < 1 mA)

Connections

2242-2342



08/07/2015

www.crouzet.com

Start/Stop or reset input : 2-wire proximity sensor R=470 Ω /2 W for 2-wire leakage current detector ≤ 1 mA