

5

4

3

2

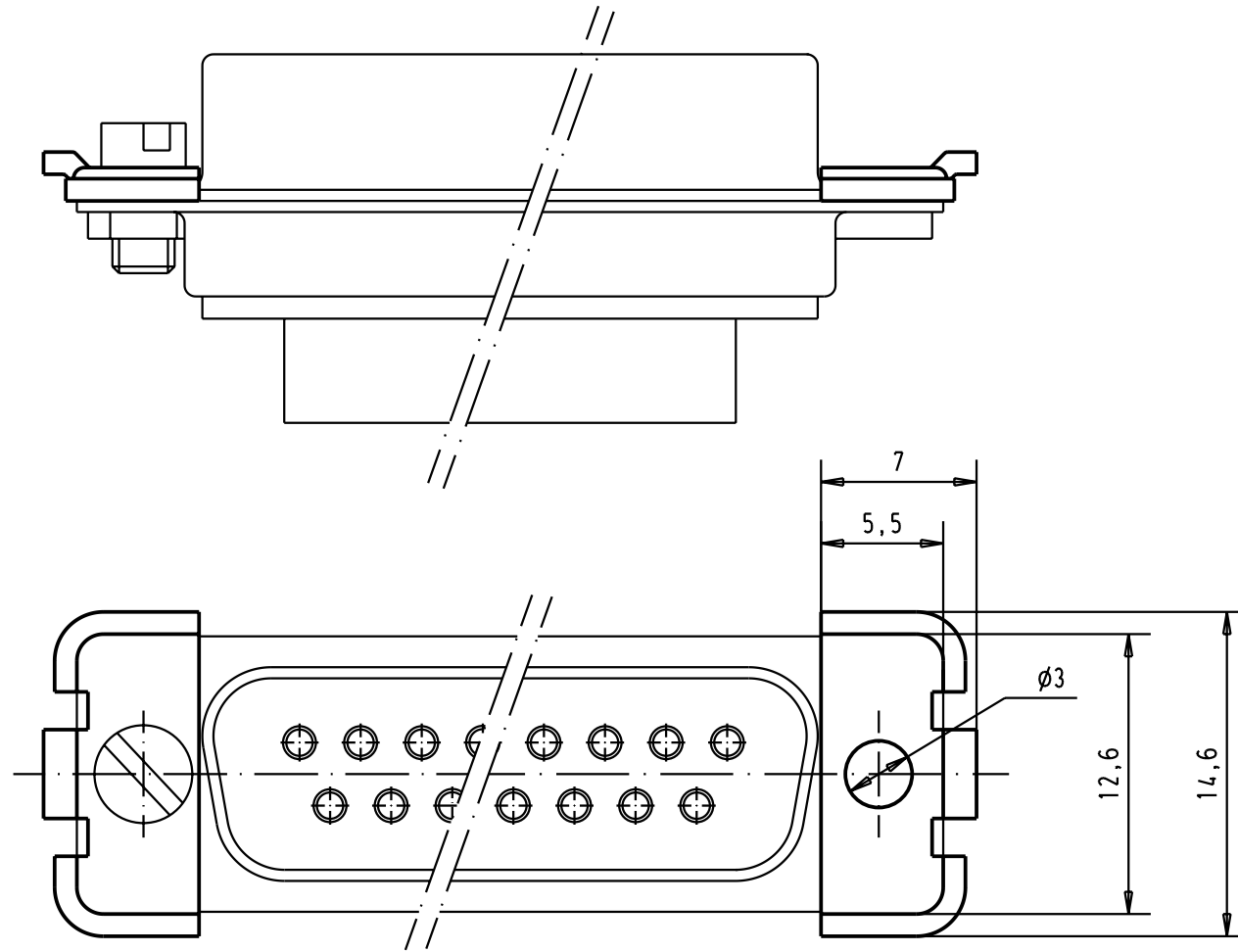
1



D

C

B

A



			Dat.		Name		 All Dim. in mm Orig. Size DIN A 4	Fixed latch, 9-37 poles corrosion resistant steel	Maßstab/ Scale 6:1
			Detail.	12-07-95	MF				
29760	28-MAR-02	CV	Insp.						
16445	14-08-95	MF	Stand.						
16443	26-07-95	ST	HARTING EURL F-95972 Paris					TB 09670019971	Blatt/ Page 1 /
16441	12-07-95	MF							
Mod.	Dat.	Name							
							Sub.		