

MECF-20-01-L-DV

MECF-05-01-L-DV-WT



MECF SERIES

(1.27 mm) .050"

MINI EDGE CARD SOCKET

SPECIFICATIONS

For complete specifications and recommended PCB layouts see www.samtec.com?MECF-DV

Insulator Material:

-01=Black Liquid Crystal Polymer
-02=Natural Liquid Crystal Polymer

Contact Material:

BeCu

Plating:

Sn or Au over 50 μm (1.27 μm) Ni

Operating Temp Range:

-55 °C to +125 °C

Current Rating:

3.5 A per pin (2 adjacent pins powered)

Voltage Rating:

280 VAC

RoHS Compliant:

Yes

Mates with:

(1.60 mm) .062" card,
(2.36 mm) .093" card

Polarized

Up to 98 I/Os

Choice of two card thicknesses

Rugged weld tab option

Alignment pins

HIGH-SPEED CHANNEL PERFORMANCE

MECF-DV

Rating based on Samtec reference channel. For full SI performance data visit Samtec.com or contact SIG@samtec.com

25
Gbps

PROCESSING

Lead-Free Solderable:

Yes

SMT Lead Coplanarity:

(0.10 mm) .004" max (05-30)
(0.15 mm) .006" max (40-50)*
*(.004" stencil solution may be available; contact IPG@samtec.com)

RECOGNITIONS

For complete scope of recognitions see www.samtec.com/quality



FILE NO. E111594

ALSO AVAILABLE (MOQ Required)

- Non-polarized
- Other platings

Notes:

While optimized for 50 Ω applications, this connector with alternative signal/ground patterns may also perform well in certain 75 Ω applications.

Some sizes, styles and options are non-standard, non-returnable.



-05, -08, -20, -30, -40, -50

-01
= (1.60 mm) .062" thick card
-02
= (2.36 mm) .093" thick card

-L
= 10 μm (0.25 μm)
Gold on contact, Matte Tin on tail

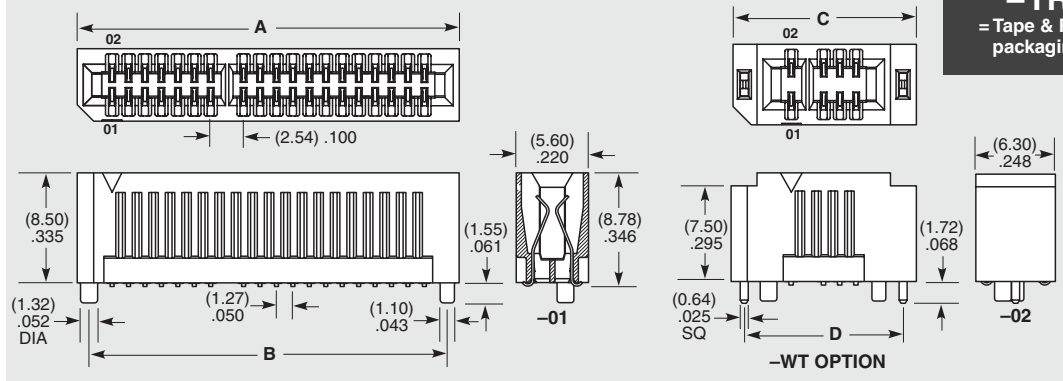
-WT
= Weld Tabs (Standard on -02 card thickness, optional on -01 card thickness)

-K
= (5.00 mm) .197" DIA (-01 card thickness)
(5.70 mm) .224" DIA (-02 card thickness)
Polyimide film pick & place pad (-TR only)

-TR
= Tape & Reel packaging

POSITIONS PER ROW	A	B	C	D
-05	(10.46) .412	(8.64) .340	(14.53) .572	(12.45) .490
-08	(14.27) .562	(12.45) .490	(18.34) .722	(16.26) .640
-20	(29.51) 1.162	(27.69) 1.090	(33.58) 1.322	(31.50) 1.240
-30	(42.21) 1.662	(40.39) 1.590	(46.28) 1.822	(44.20) 1.740
-40	(54.91) 2.162	(53.09) 2.090	(58.98) 2.322	(56.90) 2.240
-50	(67.61) 2.662	(65.79) 2.590	(71.68) 2.822	(69.60) 2.740

POSITIONS PER ROW	POLARIZED POSITIONS (No Contact)
-05	3, 4
-08	5, 6
-20	15, 16
-30	21, 22
-40	31, 32
-50	41, 42



Due to technical progress, all designs, specifications and components are subject to change without notice.