

MECF-20-01-L-DV

MECF-05-01-L-DV-WT



MECF SERIES

(1.27 mm) .050"

MINI EDGE CARD SOCKET

SPECIFICATIONS

For complete specifications and recommended PCB layouts see www.samtec.com?MECF-DV

Insulator Material:

-01=Black Liquid Crystal Polymer
-02=Natural Liquid Crystal Polymer

Contact Material:

BeCu

Plating:

Sn or Au over 50 μ" (1.27 μm) Ni

Operating Temp Range:

-55 °C to +125 °C

Current Rating:

3.5 A per pin (2 adjacent pins powered)

Voltage Rating:

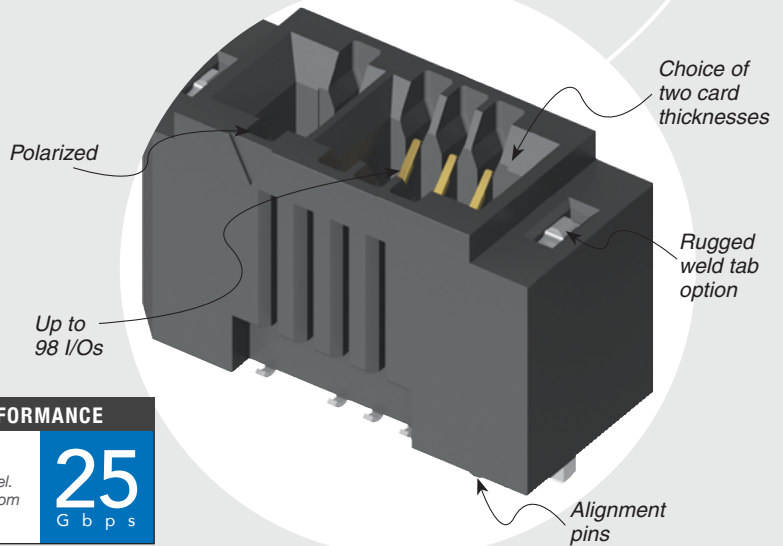
280 VAC

RoHS Compliant:

Yes

Mates with:

(1.60 mm) .062" card,
(2.36 mm) .093" card



HIGH-SPEED CHANNEL PERFORMANCE

MECF-DV

Rating based on Samtec reference channel. For full SI performance data visit Samtec.com or contact SIG@samtec.com

25
Gbps

PROCESSING

Lead-Free Solderable:

Yes

SMT Lead Coplanarity:

(0.10 mm) .004" max (05-30)
(0.15 mm) .006" max (40-50)*
*(.004" stencil solution may be available; contact IPG@samtec.com)

RECOGNITIONS

For complete scope of recognitions see www.samtec.com/quality



FILE NO. E111594

ALSO AVAILABLE (MOQ Required)

- Non-polarized
- Other platings

Notes:

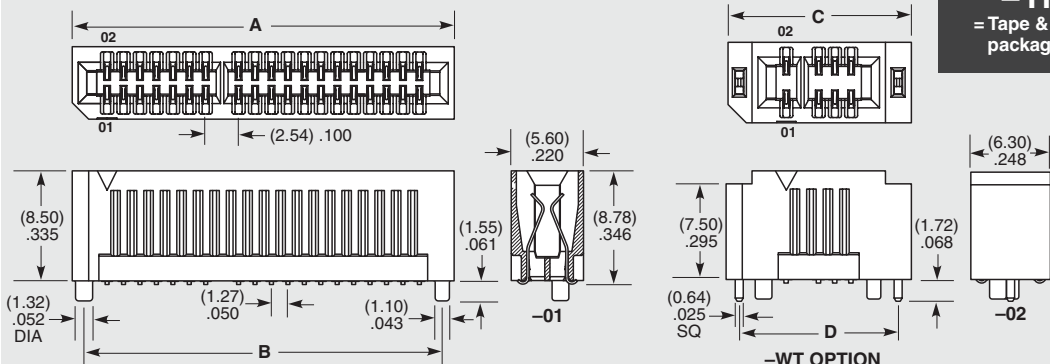
While optimized for 50 Ω applications, this connector with alternative signal/ground patterns may also perform well in certain 75 Ω applications.

Some sizes, styles and options are non-standard, non-returnable.

MECF	POSITIONS PER ROW	CARD THICKNESS	PLATING OPTION	DV	OPTION
	-05, -08, -20, -30, -40, -50	-01 = (1.60 mm) .062" thick card -02 = (2.36 mm) .093" thick card	-L = 10 μ" (0.25 μm) Gold on contact, Matte Tin on tail		-WT = Weld Tabs (Standard on -02 card thickness, optional on -01 card thickness) -K = (5.00 mm) .197" DIA (-01 card thickness) (5.70 mm) .224" DIA (-02 card thickness) Polyimide film pick & place pad (-TR only) -TR = Tape & Reel packaging

POSITIONS PER ROW	A	B	C	D
-05	(10.46) .412	(8.64) .340	(14.53) .572	(12.45) .490
-08	(14.27) .562	(12.45) .490	(18.34) .722	(16.26) .640
-20	(29.51) 1.162	(27.69) 1.090	(33.58) 1.322	(31.50) 1.240
-30	(42.21) 1.662	(40.39) 1.590	(46.28) 1.822	(44.20) 1.740
-40	(54.91) 2.162	(53.09) 2.090	(58.98) 2.322	(56.90) 2.240
-50	(67.61) 2.662	(65.79) 2.590	(71.68) 2.822	(69.60) 2.740

POSITIONS PER ROW	POLARIZED POSITIONS (No Contact)
-05	3, 4
-08	5, 6
-20	15, 16
-30	21, 22
-40	31, 32
-50	41, 42



Due to technical progress, all designs, specifications and components are subject to change without notice.

WWW.SAMTEC.COM

All parts within this catalog are built to Samtec's specifications. Customer specific requirements must be approved by Samtec and identified in a Samtec customer-specific drawing to apply.