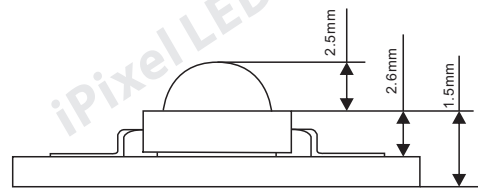
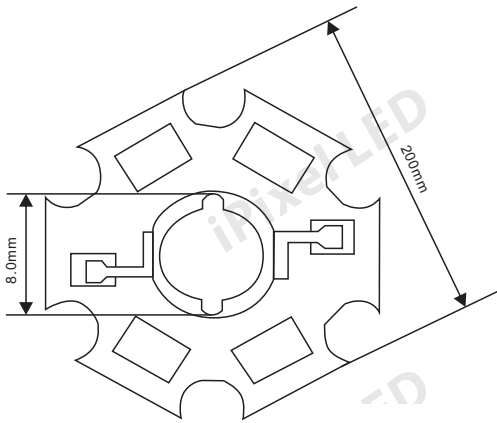


iPixel LED

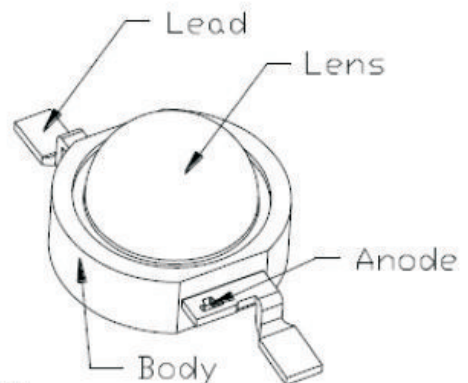
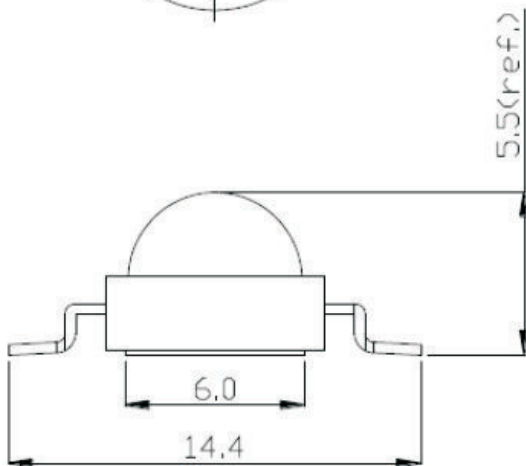
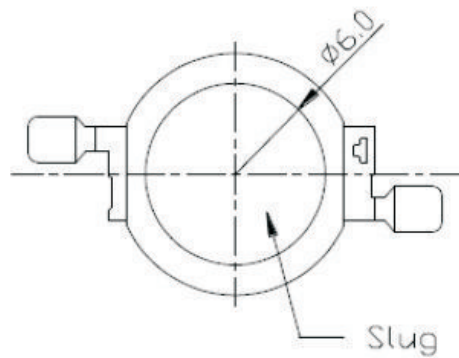
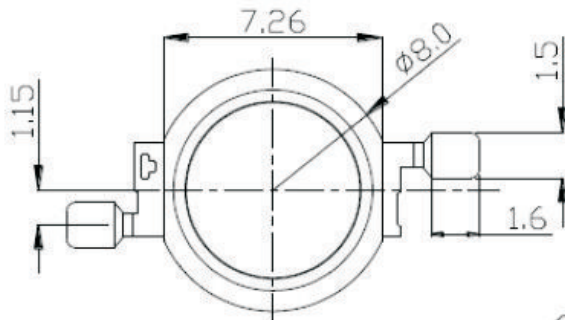


3W LED Star



TOP VIEW

BOTTOM VIEW



Circuit Diagram



Electrical/Optical Characteristics At Ta=25°C						
Part Number	Emitting Color	Forward Current (mA)	Power	nm (K)	Voltage	Luminous
SJ-3W-R	RED	750	3	620--630	2-2.8	75--105
SJ-3W-Y	YELLOW	750	3	585--595	2-2.8	75--105
SJ-3W-B	BLUE	750	3	460--470	3.2-3.8	30--60
SJ-3W-G	GREEN	750	3	520--530	3.2-3.8	75--105
SJ-3W-CW	WHITE	750	3	6000--7000	3.2-3.8	160--240
SJ-3W-WW	WARM WHITE	750	3	8000--3300	3.2-3.8	160--200

Absolute Maximum Ratings At Ta=25			
Parameter		Red/Yellow	Blue/Green/White
Viewing Angle		125±5	125±5
Peak Pulsed Forward Current (mA) 1/10s		3000	1500
Reverse Voltage(V)		≥8	≥5
Reverse Current(uA)		≤30	≤50
ESD Sensitivity(V)		2000	2000
Storage Temperature(°C)		-40 to +100	-40 to +100
Operating Temperature(°C)		-30 to +55	-30 to +100
Lead Soldering Temperature(°C)		260 for 5 seconds Max	260 for 5 seconds Max