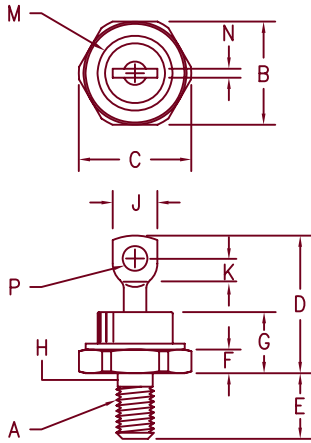


40 Amp Schottky Rectifier

1N5832 – 1N5834



Notes:

1. Full threads within 2 1/2 threads
2. Stud is Cathode.

Dim.	Inches		Millimeter		Notes
	Minimum	Maximum	Minimum	Maximum	
A	----	----	----	----	1,2
B	.669	.687	16.99	17.45	
C	----	.794	----	20.17	
D	----	1.00	----	25.40	
E	.422	.453	10.72	11.51	
F	.115	.200	2.92	5.08	
G	----	.450	----	11.43	
H	.220	.249	5.59	6.32	1
J	----	.375	----	9.52	
K	.156	----	3.96	----	
M	----	.515	----	13.08	Dia
N	----	.080	----	2.03	
P	.140	.175	3.56	4.44	Dia

DO-213AB (DO-5)

Microsemi Catalog Number	Working Peak Reverse Voltage	Repetitive Peak Reverse Voltage	Repetitive Peak Reverse Voltage
1N5832	20V	20V	24V
1N5833	30V	30V	36V
1N5834	40V	40V	48V

- Schottky Barrier Rectifier
- Guard Ring Protection
- Low Forward Voltage
- 40 Amperes
- 125°C Junction Temperature
- V_{RRM} 20 to 40 Volts

Electrical Characteristics

	1N5832	1N5833	1N5834	
Average forward current	$I_F(AV)$ 40A	40A	40A	$T_C = 100^\circ C$, half sine wave, $R_{\theta JC} = 1.0^\circ C/W$
Maximum surge current	I_{FSM} 800A	800A	800A	8.3ms, half sine, $T_J = 125^\circ C$
Max peak forward voltage	V_{FM} .360V	.370V	.380V	$I_{FM} = 10A, T_J = 25^\circ C^*$
Max peak forward voltage	V_{FM} .520V	.550V	.590V	$I_{FM} = 40A, T_J = 25^\circ C^*$
Max peak forward voltage	V_{FM} .980V	1.080V	1.180V	$I_{FM} = 125A, T_J = 25^\circ C^*$
Max peak reverse current	I_{RM} 150mA	150mA	150mA	$V_{RRM}, T_J = 100^\circ C$
Max peak reverse current	I_{RM} 20mA	20mA	20mA	$V_{RRM}, T_J = 25^\circ C^*$
Typical junction capacitance	C_J 2200pF	2200pF	2200pF	$T_J = 25^\circ C, V_R = 5V$

*Pulse test: Pulse width 300 μ sec, Duty cycle 2%

Thermal and Mechanical Characteristics

Storage temp range	T_{STG}	-65°C to 175°C
Operating junction temp range	T_J	-65°C to 125°C
Max thermal resistance	$R_{\theta JC}$	1.0°C/W junction to Case
Max mounting torque		30 inch pounds maximum
Typical Weight		.54 ounces (15.3 grams) typical



6 Lake Street
Lawrence, MA 01841
PH: (978) 620-2600
FAX: (978) 689-0803
www.microsemi.com

05-09-07 Rev. 2

1N5832 — 1N5834

Figure 1
Typical Forward Characteristics

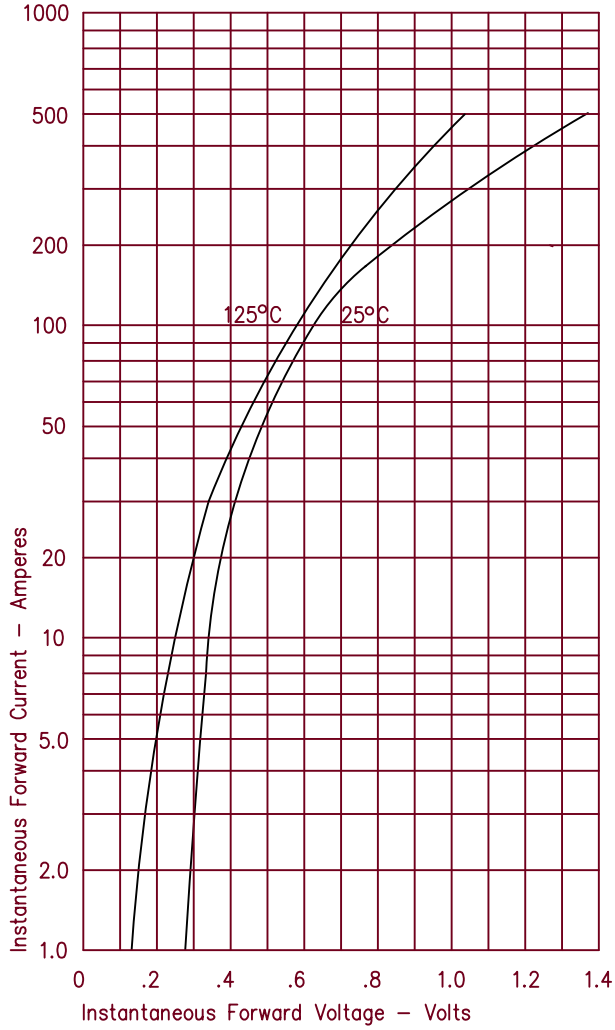


Figure 3
Typical Junction Capacitance

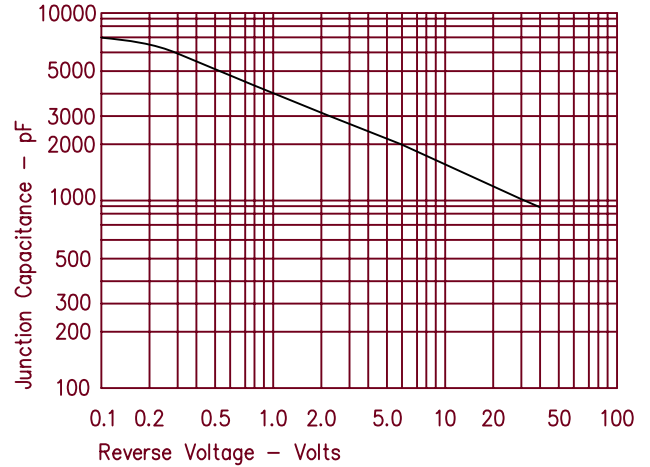


Figure 4
Forward Current Derating

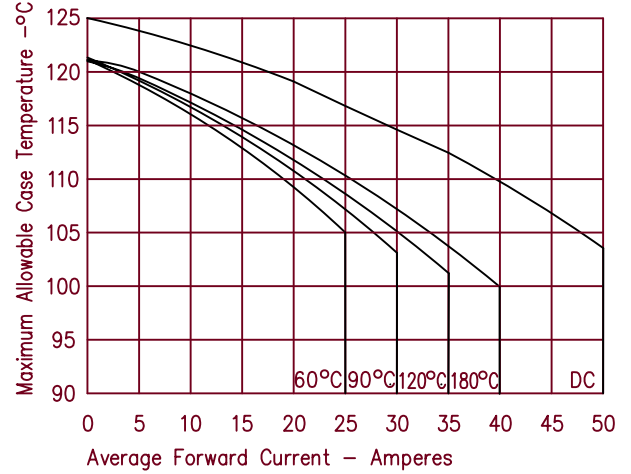


Figure 2
Typical Reverse Characteristics

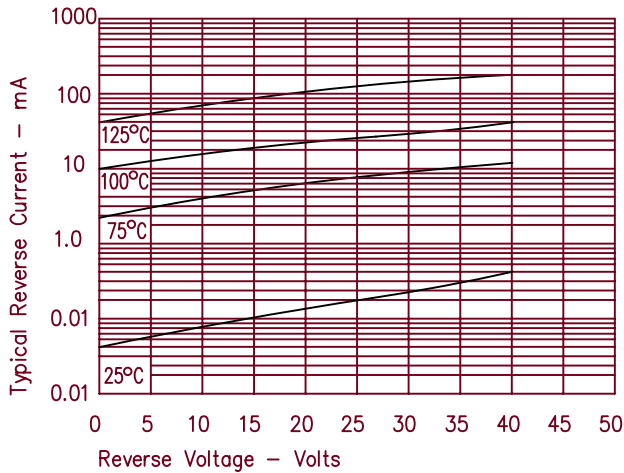


Figure 5
Maximum Forward Power Dissipation

