

## SUMMARY

### # Wires

Low	0
High	0
Coax	0
Triax	0
Quad	0
Fiber	0
Fluidic	0

Series SP

Termination type

IP rating 50

Cable Ø 0.00 - 0.00 mm

Matching parts xxx



### Download

[Request a quote](#)

[Catalog](#)

## TECHNICAL DETAILS

### Mechanics

Shell Style/Model	SL_.SP*: Fixed socket, key (N) or keys (P, S and T),blue, with nut
Keying	3 key (alpha=30, plug: male contacts, receptacle: female contacts)
Housing Material	
Cable Fixing	∅ 0 - 0 mm
Variant	A : Blue front nut

### Performance

Configuration	
Insulator	
Rated Current	11.5 Amps

### Specifications

Test voltage (kV rms) Contact-contact: 1.60  
Air clearance min. (mm) or Creepage distance min. (mm): 0.95

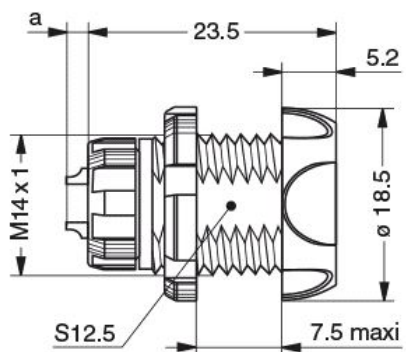
### Others

IP Rating: 50

---

# DRAWINGS

## Draws



## Dimensions

	B	N	a	e
mm.	18.5	23.5	2.2	M14x1
in.	0,73	0,93	0,09	

---

# RECOMMENDED BY LEMO

## Tools

None

## Cables