

TABLE I								
DASH NO.	CONNECTOR SHELL SIZE			A THREAD CLASS 2B	B DIA MAX	C RAD	D +.0 -.06	APPROX WEIGHT (GRAMS)
	NAS 1599 MIL-DTL-83723 SER 1&3	MIL-DTL-005015F CRIMP	AS81703 (NAVY) SER 3					
-3			3	9/16-24 UNEF	.669	.083	1.19	4.6
-8	8	8S		1/2-20 UNF	.617	.083	1.19	4.0
-10	10	10S,10SL		5/8-24 UNEF	.734	.113	1.19	5.2
-12	12	12,12S	7	3/4-20 UNEF	.858	.150	1.25	6.4
-14	14	14,14S	12	7/8-20 UNEF	.984	.188	1.43	7.9
-16	16	16,16S	19	1 -20 UNEF	1.112	.223	1.43	9.4
-18	18	18	27	1 1/16-18 UNEF	1.218	.281	1.50	10.7
-20	20	20	37	1 3/16-18 UNEF	1.345	.281	1.63	11.7
-22	22	22		1 5/16-18 UNEF	1.468	.308	1.75	13.9
-24	24	24		1 7/16-18 UNEF	1.593	.350	1.88	16.6
-28		28		1 3/4-18 UNS	1.969	.375	2.06	25.4
-32		32		2 -18 UNS	2.220	.500	2.27	28.3
-36		36		2 1/4-16 UN	2.470	.500	2.38	31.2
-61			61	1 1/2-18 UNEF	1.653	.375	1.88	17.2

TABLE I - METRIC							
DASH NO.	CONNECTOR SHELL SIZE			A THREAD CLASS 2B	B DIA MAX	C RAD	D +.0 -1.5
	NAS 1599 MIL-DTL-83723 SER 1&3	MIL-DTL-005015F CRIMP	AS81703 (NAVY) SER 3				
-3			3	9/16-24 UNEF	17.0	2.1	30.2
-8	8	8S		1/2-20 UNF	15.7	2.1	30.2
-10	10	10S,10SL		5/8-24 UNEF	18.6	2.9	30.2
-12	12	12,12S	7	3/4-20 UNEF	21.8	3.8	31.8
-14	14	14,14S	12	7/8-20 UNEF	25.0	4.8	36.3
-16	16	16,16S	19	1 -20 UNEF	28.2	5.7	36.3
-18	18	18	27	1 1/16-18 UNEF	30.9	7.1	38.1
-20	20	20	37	1 3/16-18 UNEF	34.2	7.1	41.4
-22	22	22		1 5/16-18 UNEF	37.3	7.8	44.5
-24	24	24		1 7/16-18 UNEF	40.5	8.9	47.8
-28		28		1 3/4-18 UNS	50.0	9.5	52.3
-32		32		2 -18 UNS	56.4	12.7	57.7
-36		36		2 1/4-16 UN	62.7	12.7	60.5
-61			61	1 1/2-18 UNEF	42.0	9.5	47.8

TABLE II	
SYM	FINISH DESCRIPTION
B	CADMIUM PLATE/OLIVE DRAB
C	BLACK ANODIZE
L	CADMIUM BRIGHT OVER ELECTROLESS NICKEL
M	ELECTROLESS NICKEL
N	CADMIUM PLATE/OLIVE DRAB OVER NICKEL PLATE
NF	CAD/O. D. OVER ELECTROLESS NICKEL (1000 HOUR SALT SPRAY)
V	BLUE ANODIZE

REV.	DESCRIPTION	DATE	APPROVED
G	REDRAWN	4/4/74	W.A
H	REVISED PER DCN 02276	5/6/75	W.A
J	REVISED PER DCN 03303	10/23/78	W.A
K	REVISED PER DCN 03465	5/24/79	J.B
L	REVISED PER DCN 04073	10/15/81	G.B
M	REDRAWN PER DCN 15832	01/31/00	R.P
N	REVISED PER DCN 16255	06/02/00	T.L
P	REVISED PER DCN 17349	01/12/01	N.D
R	REVISED PER DCN 17364	01/16/01	N.D
S	REVISED PER DCN 21785	12/23/03	T.L
T	REVISED PER DCN 24390	08/05/05	T.L
U	REVISED PER DCN 26629	11/09/06	T.L
V	REVISED PER DCN 27564	05/15/07	T.L

PART NUMBER DEVELOPMENT

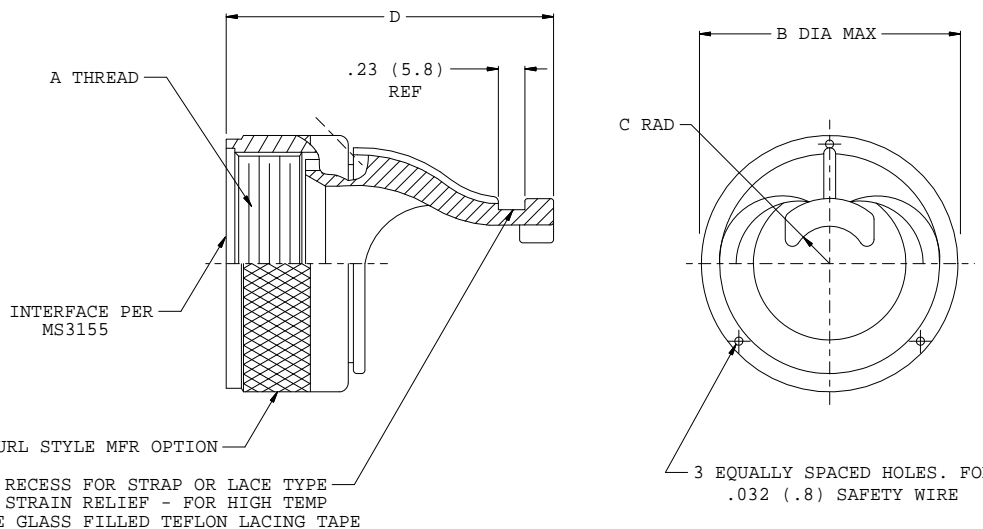
EXAMPLE: GTR62 - 16 C - ACS1

BASIC NO.

SHELL SIZE. TABLE I

FINISH SYMBOL. TABLE II

SILICONE/ FLUOROSILICONE PAD OPTION - OMIT FOR NONE



NOTES:

- ASSEMBLY IDENTIFIED WITH MANUFACTURER'S NAME AND P/N, SPACE PERMITTING
- METRIC DIMENSIONS (IN PARENTHESIS) ARE GIVEN FOR REFERENCE ONLY AND ARE BASED ON 1 INCH = 25.4 mm.
- ADAPTER HAS CAPTIVATED COUPLING NUT. METHOD OF CAPTIVATION MANUFACTURER'S OPTION
- THE COLOR OF THE QWIK-TY BODY WILL BE BLACK.
- MATERIAL/FINISH:
QWIK-TY & COUPLING NUT - AL ALLOY/SEE TABLE II

UNLESS OTHERWISE SPECIFIED DIMENSIONS ARE IN INCHES TOLERANCES: FRACTIONS ± 1/16 DECIMALS .XX ±.03 .XXX ±.015 ANGLES ± 2°	DRAWN J. AKINS 01/31/00	GLENAIR, INC. CAD 2000 1211 AIR WAY - GLENDALE - CALIFORNIA 91201	QWIK-TY®, STRAIGHT FOR CONNECTORS, PER TABLE I
	CHECK P. OAKES 02/01/00		
	ENGR R. PAINTER 02/01/00		
DO NOT SCALE THIS DRAWING	RELEASE DATE 02/01/00 ORIGINAL RELEASE DATE 07/07/71	CODE IDENT. NO. 06324 SIZE C	REV. V
B/F 71-3154 P/C 45	NON REPARABLE COMMERCIAL ITEM	SCALE N/A WEIGHT N/A	SHEET 1 OF 1