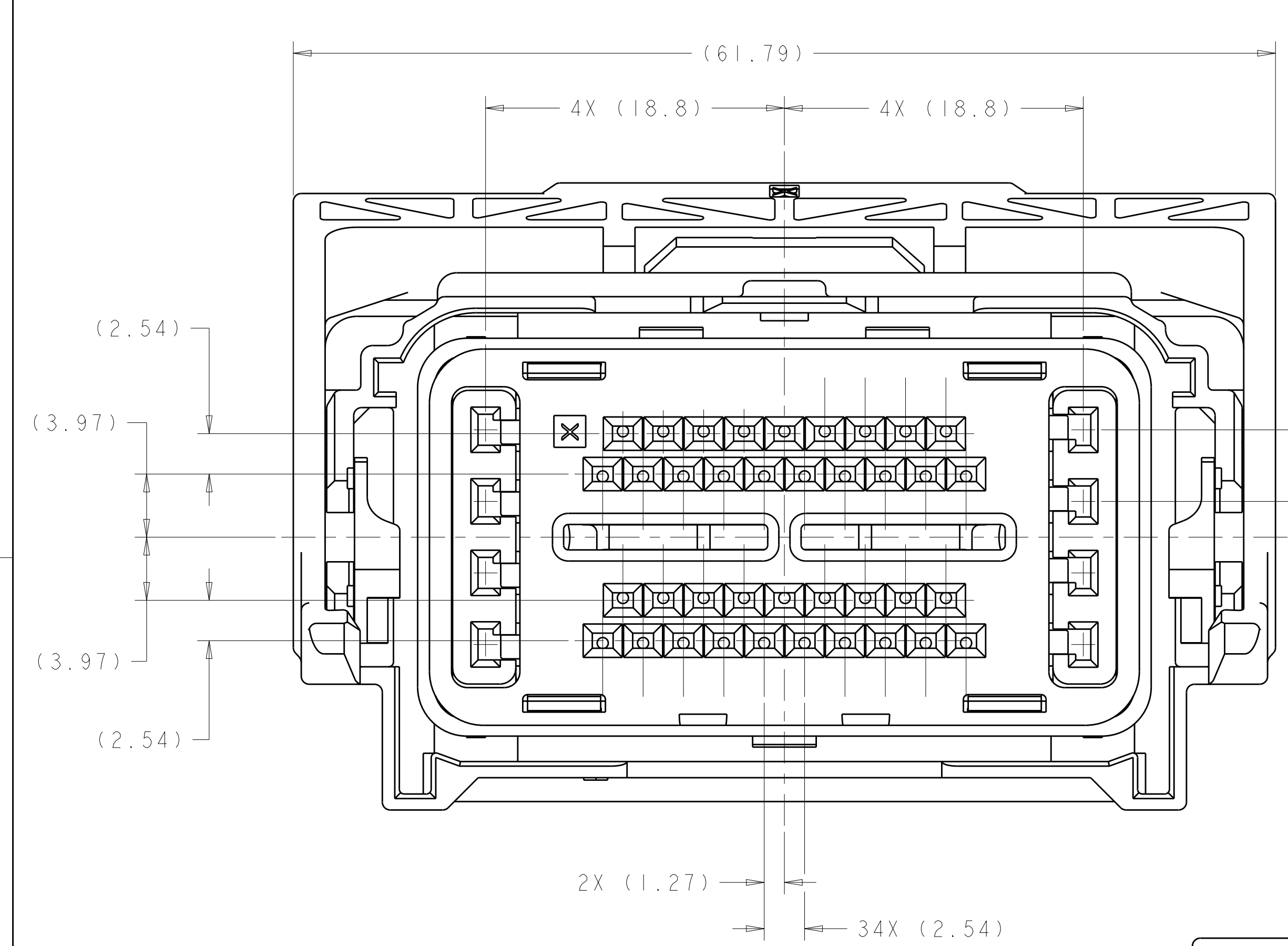
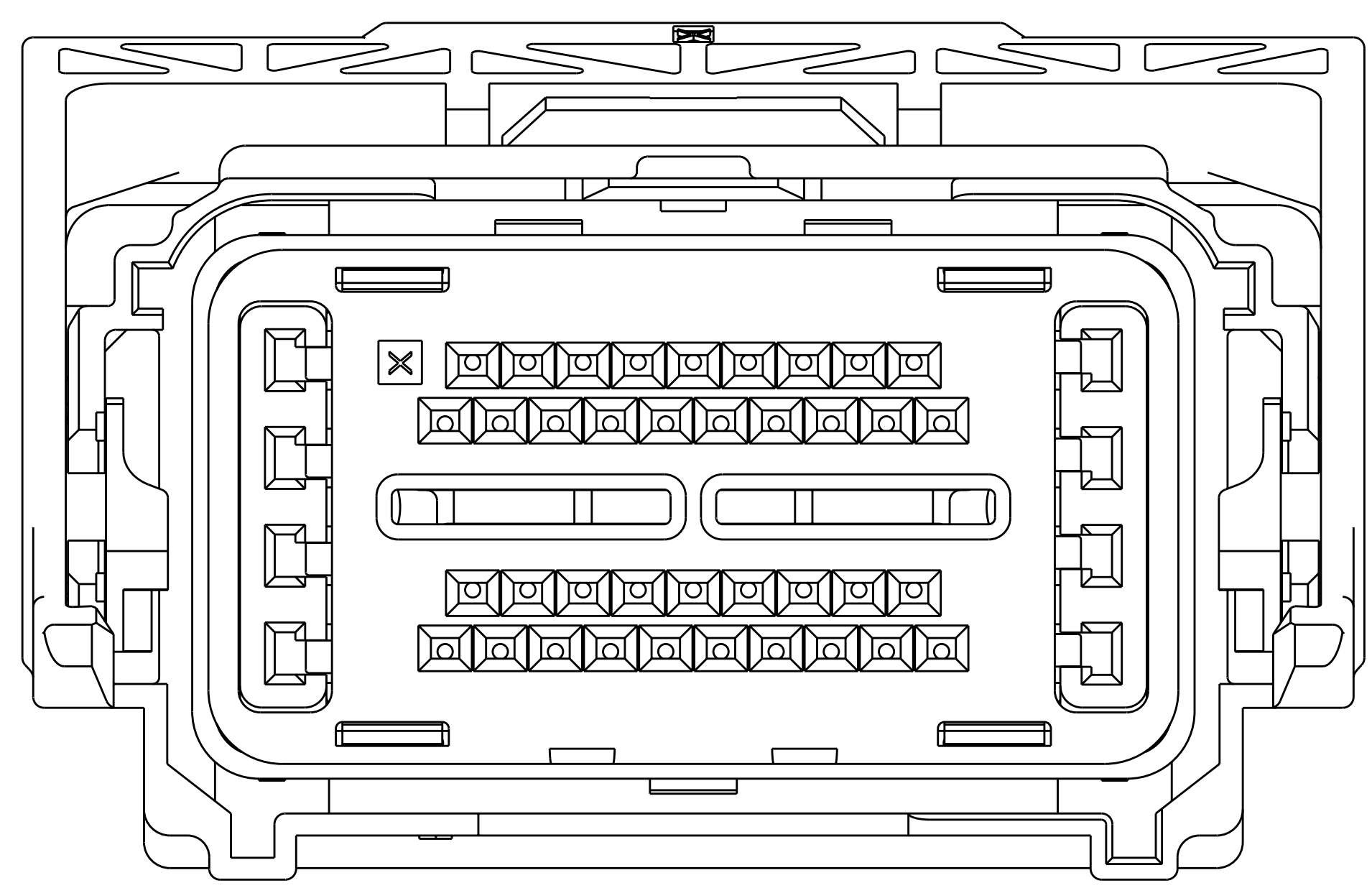


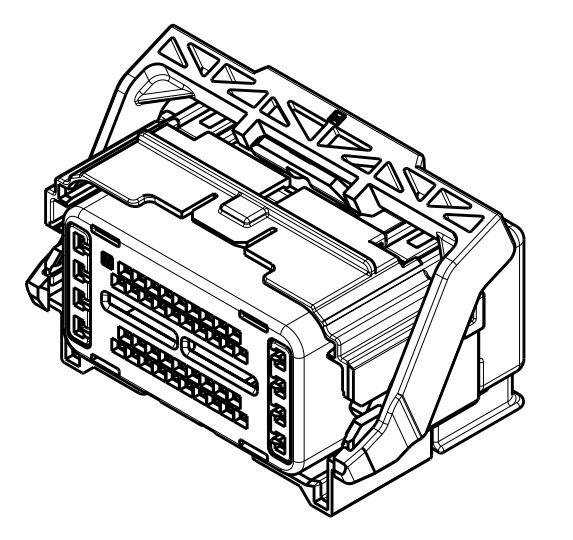
REV	DATE	DESCRIPTION	DATE	BY	APP'D
S10	23APR2009	REVISED PER ECO-09-009758		DLD	DCM
S11	29DEC2009	REVISED PER ECO-09-028550		DLD	DCM



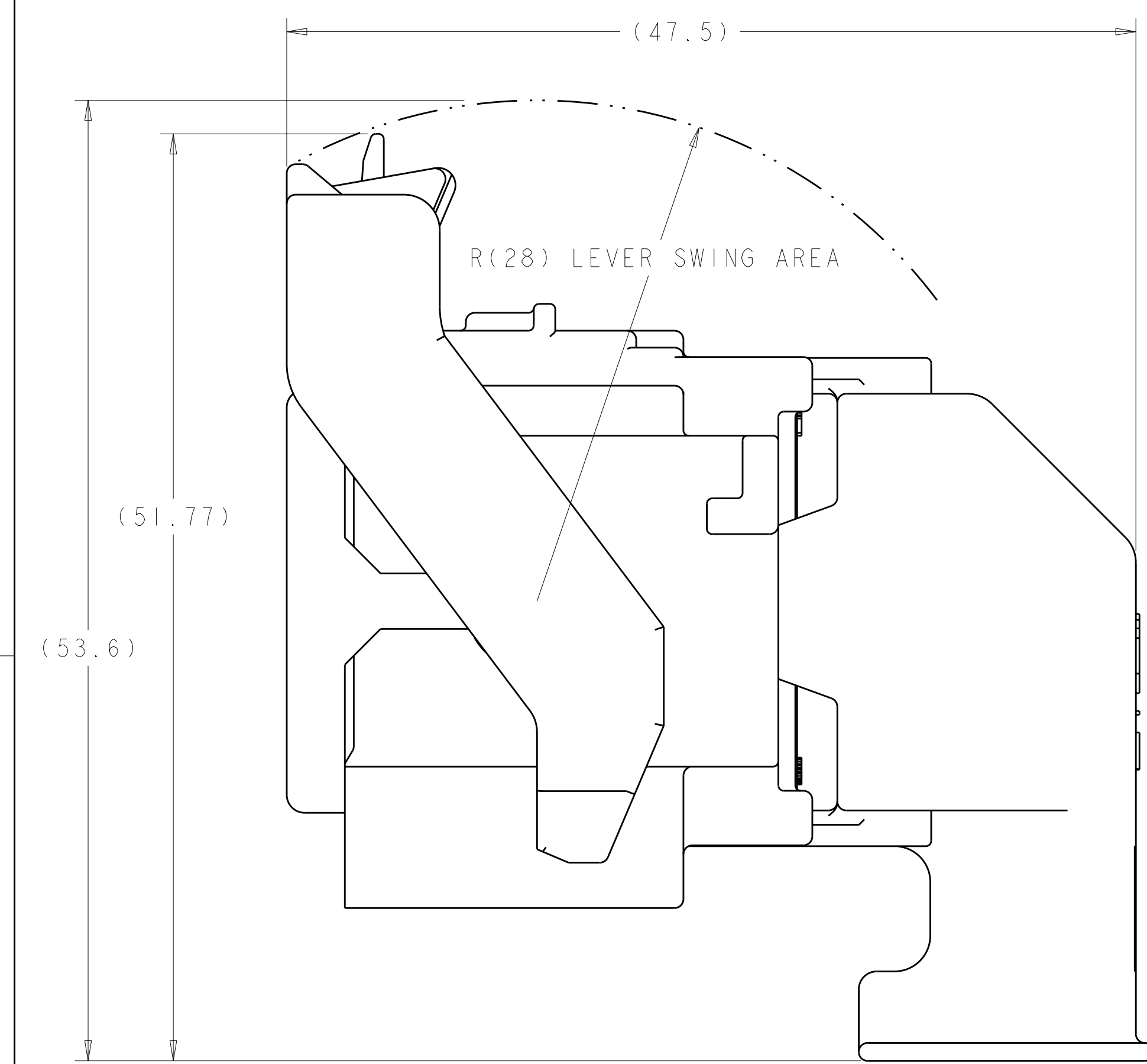
KEYING OPTION "A"
1438082-1



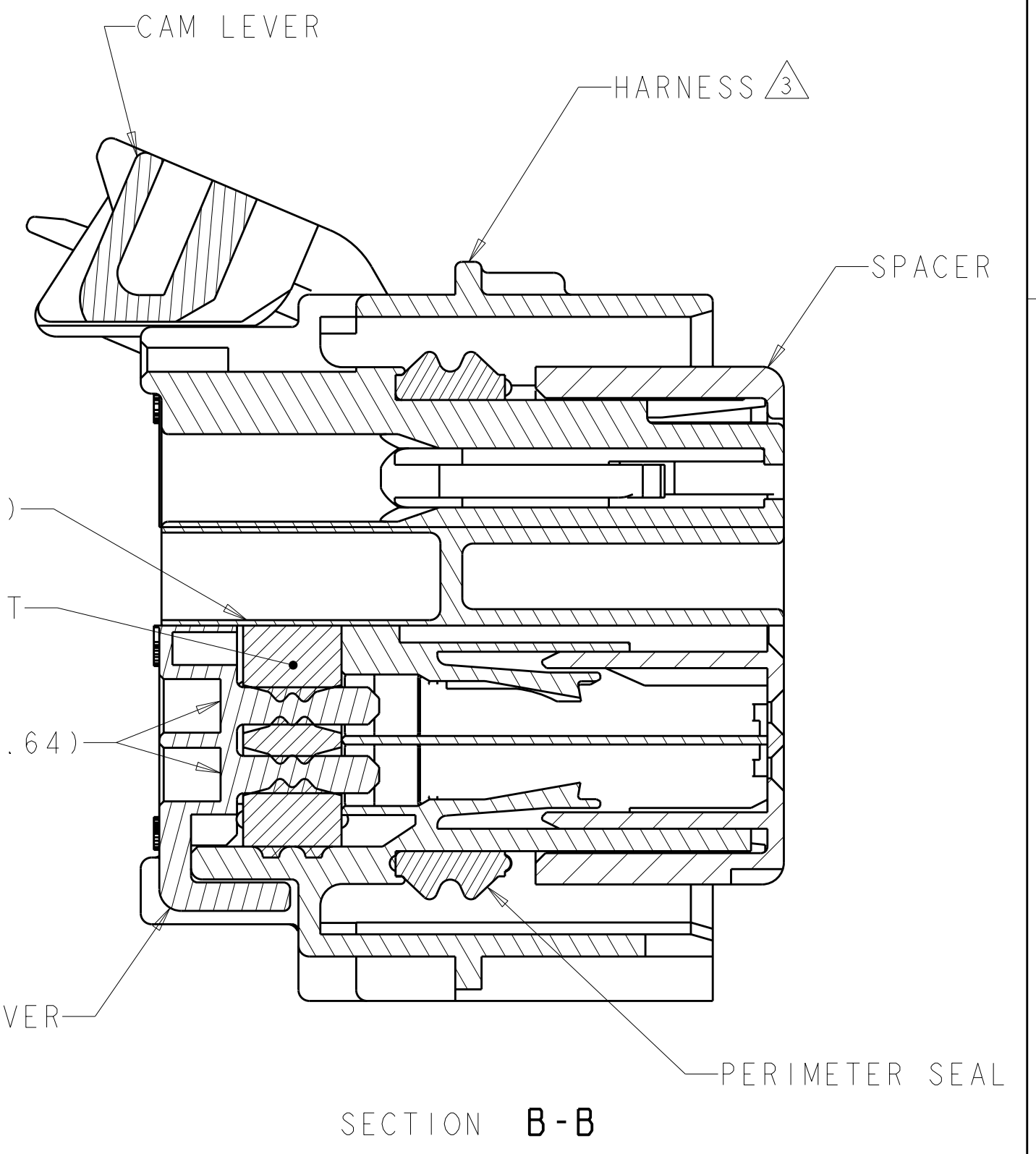
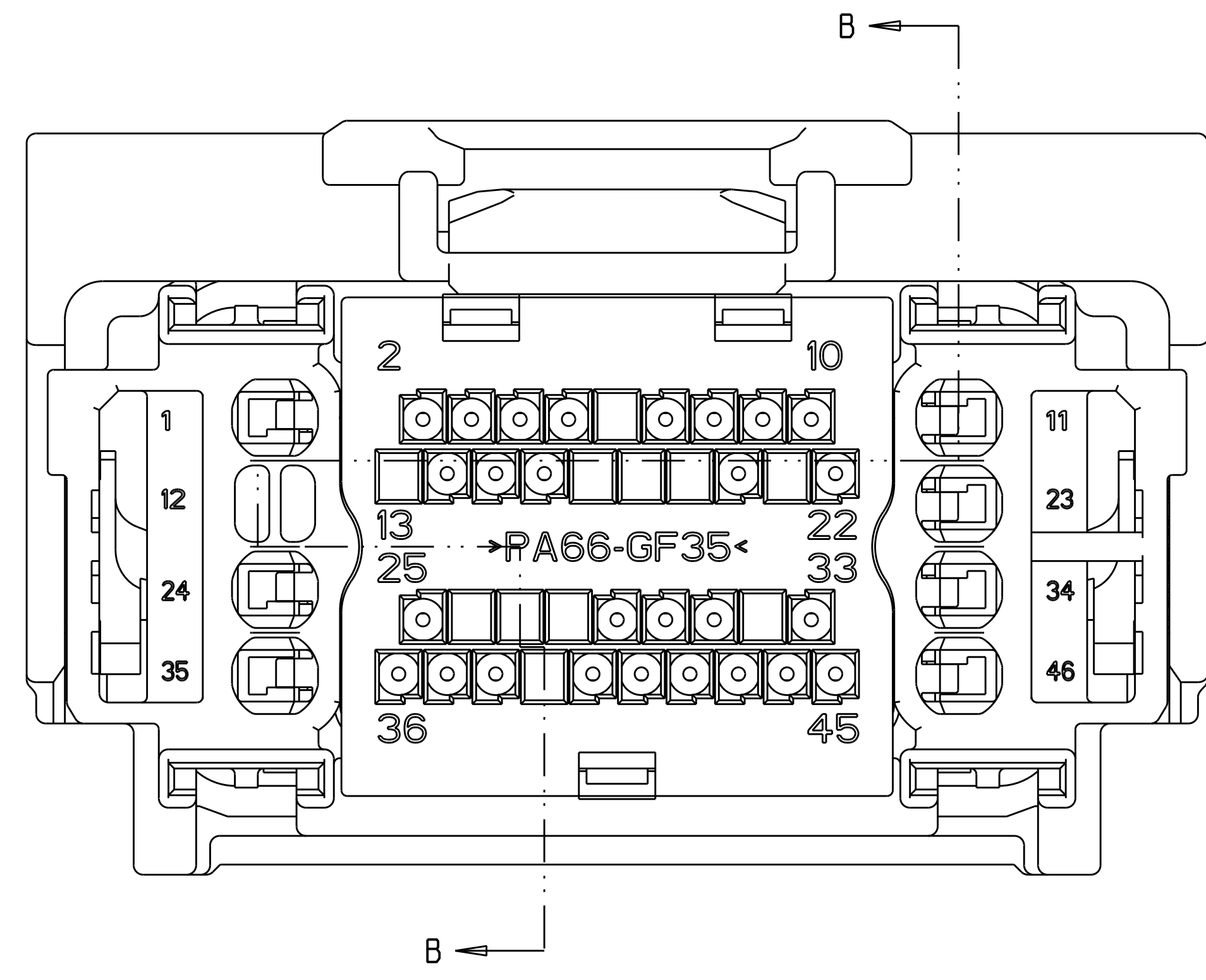
KEYING OPTION "B"
1438082-2



SCALE 1:1



SHOWN WITH CAM LEVER AND SPACER
IN LOADED POSITION WITH
OPTIONAL WIRESHIELD



SECTION B-B

- △ MATERIAL:
 HARNESS - 35% GLASS FILLED PA66, BLACK
 ALT MAT'L: HARNESS - 30% GLASS FILLED sPS, BLACK
 SPACER - 40% GLASS FILLED PPS+PA66, RED
 ALT MAT'L: 30% GLASS FILLED sPS, RED
 ALT MAT'L: 35% GLASS FILLED PA66, RED
 COVER - 35% GLASS FILLED PA66, BLACK
 ALT MAT'L: COVER - 30% GLASS FILLED LCP, BLACK
 CAM LEVER - 35% GLASS FILLED NYLON, GRAY
 GROMMET - SILICONE, BROWN
 PERIMETER SEAL - SILICONE, GREEN

2. CAM LEVER AND SPACER ARE SHIPPED IN PRE-LATCH POSITION.
 △ SEE PINOUT CHART ON SHEETS 2, 3 AND 4 FOR CLOSED CIRCUIT CONFIGURATIONS.
 △ CAVITIES WITH A NUMERIC SYMBOL INDICATES CLOSED TERMINAL LOCATIONS.
 BLANK CAVITIES INDICATE OPEN TERMINAL HOLE LOCATIONS.

SEE PINOUT CHARTS
PART NUMBER

DIMENSIONS: mm 		TOLERANCES UNLESS OTHERWISE SPECIFIED: 9 PLC ± 1 PLC ±0.3 3 PLC ±0.10 4 PLC ± ANGLES ±°		DWN R. VESTAL 01AUG2003 CHK D. STRAUSSER 01AUG2003 APVD D. STRAUSSER 01AUG2003 PRODUCT SPEC APPLICATION SPEC WEIGHT CUSTOMER DRAWING		Tyco Electronics Harrisburg, PA 17105-3608 NAME 46 WAY PCM CONNECTOR HARNESS ASSEMBLY SIZE CAGE CODE DRAWING NO A 00779 C=1438082 RESTRICTED TO	
MATERIAL SEE TABLE		FINISH SEE TABLE		SCALE 4:1		SHEET 1 OF 5	

