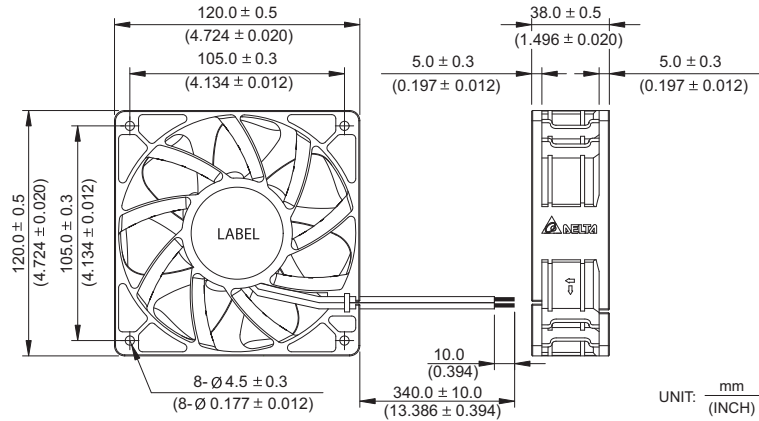


New



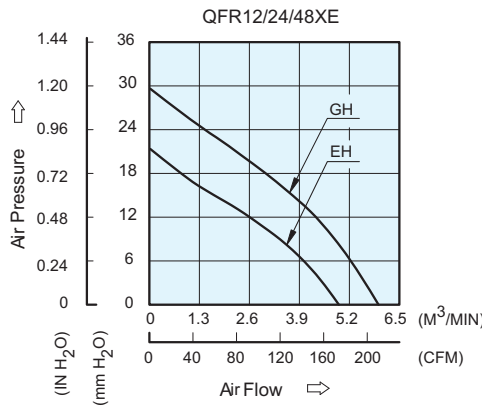
QFR 120 x 120 x 38 MM SERIES

DIMENSIONS DRAWING

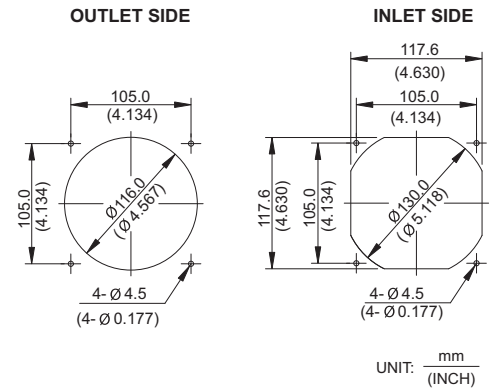


- * Bearing Type
Ball Bearings
- * Material
Impeller & Frame : Plastic (UL 94V-0)
- * Lead Wires :
UL 1430 AWG #22 OR Equivalent
Red Wire Positive (+)
Black Wire Negative (-)
- * Weight : 330g (11.64 oz)

P & Q CURVE (AT RATED VOLTAGE)



MOUNTING PANEL CUTOUT



| MODEL | | Rated Voltage | Operating Voltage Range | Input Current | Input Power | Speed | Maximum Air Flow | | Maximum Air Pressure | | Noise |
|------------|-----------|---------------|-------------------------|---------------|-------------|--------|---------------------|--------|----------------------|---------------------|-------|
| PART NO. | FUNCTION | VDC | VDC | Amp | Watt | R.P.M. | m ³ /min | CFM | mmH ₂ O | IN H ₂ O | dB-A |
| QFR1212EHE | -R00/-F00 | 12 | 8.0 to 13.2 | 1.00 | 12.00 | 5000 | 4.922 | 173.83 | 21.43 | 0.844 | 59.0 |
| QFR1224EHE | -R00/-F00 | 24 | 16.0 to 26.4 | 0.50 | 12.00 | | | | | | |
| QFR1248EHE | -R00/-F00 | 48 | 33.0 to 52.8 | 0.26 | 12.48 | | | | | | |
| QFR1212GHE | -R00/-F00 | 12 | 8.0 to 13.2 | 1.80 | 21.60 | 6000 | 5.957 | 210.38 | 29.18 | 1.170 | 64.0 |
| QFR1224GHE | -R00/-F00 | 24 | 16.0 to 26.4 | 0.94 | 22.56 | | | | | | |
| QFR1248GHE | -R00/-F00 | 48 | 33.0 to 52.8 | 0.50 | 24.00 | | | | | | |

* Function type is optional.
 * The max. air flow and the speed are measured in free air ; max. air pressure is measured at zero air flow.
 * Noise is measured in anechoic chamber in free air, one meter from intake side.
 * All readings are typical values at rated voltage.
 * Specifications are subject to change without notice.