

*New*



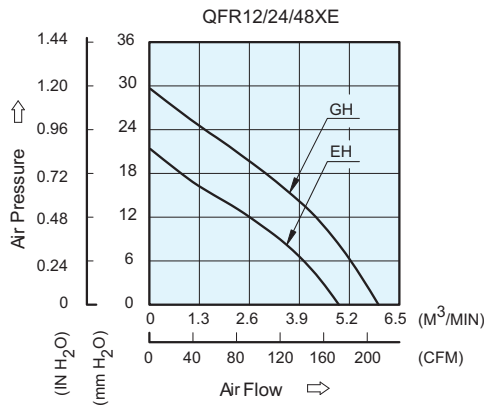
# QFR 120 x 120 x 38 MM SERIES

## DIMENSIONS DRAWING

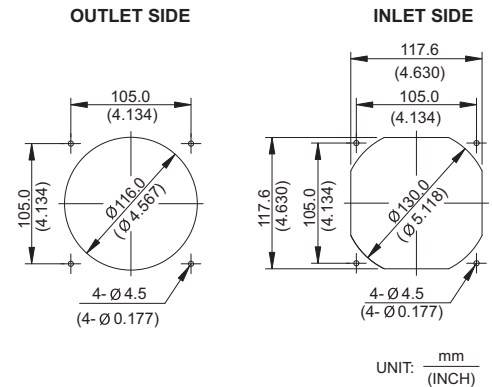


- \* Bearing Type  
Ball Bearings
- \* Material  
Impeller & Frame : Plastic (UL 94V-0)
- \* Lead Wires :  
UL 1430 AWG #22 OR Equivalent  
Red Wire Positive (+)  
Black Wire Negative (-)
- \* Weight : 330g (11.64 oz)

## P & Q CURVE (AT RATED VOLTAGE)



## MOUNTING PANEL CUTOUT



| MODEL      |           | Rated Voltage | Operating Voltage Range | Input Current | Input Power | Speed  | Maximum Air Flow    |        | Maximum Air Pressure |                     | Noise |
|------------|-----------|---------------|-------------------------|---------------|-------------|--------|---------------------|--------|----------------------|---------------------|-------|
| PART NO.   | FUNCTION  | VDC           | VDC                     | Amp           | Watt        | R.P.M. | m <sup>3</sup> /min | CFM    | mmH <sub>2</sub> O   | IN H <sub>2</sub> O | dB-A  |
| QFR1212EHE | -R00/-F00 | 12            | 8.0 to 13.2             | 1.00          | 12.00       | 5000   | 4.922               | 173.83 | 21.43                | 0.844               | 59.0  |
| QFR1224EHE | -R00/-F00 | 24            | 16.0 to 26.4            | 0.50          | 12.00       |        |                     |        |                      |                     |       |
| QFR1248EHE | -R00/-F00 | 48            | 33.0 to 52.8            | 0.26          | 12.48       |        |                     |        |                      |                     |       |
| QFR1212GHE | -R00/-F00 | 12            | 8.0 to 13.2             | 1.80          | 21.60       | 6000   | 5.957               | 210.38 | 29.18                | 1.170               | 64.0  |
| QFR1224GHE | -R00/-F00 | 24            | 16.0 to 26.4            | 0.94          | 22.56       |        |                     |        |                      |                     |       |
| QFR1248GHE | -R00/-F00 | 48            | 33.0 to 52.8            | 0.50          | 24.00       |        |                     |        |                      |                     |       |

\* Function type is optional.  
 \* The max. air flow and the speed are measured in free air ; max. air pressure is measured at zero air flow.  
 \* Noise is measured in anechoic chamber in free air, one meter from intake side.  
 \* All readings are typical values at rated voltage.  
 \* Specifications are subject to change without notice.