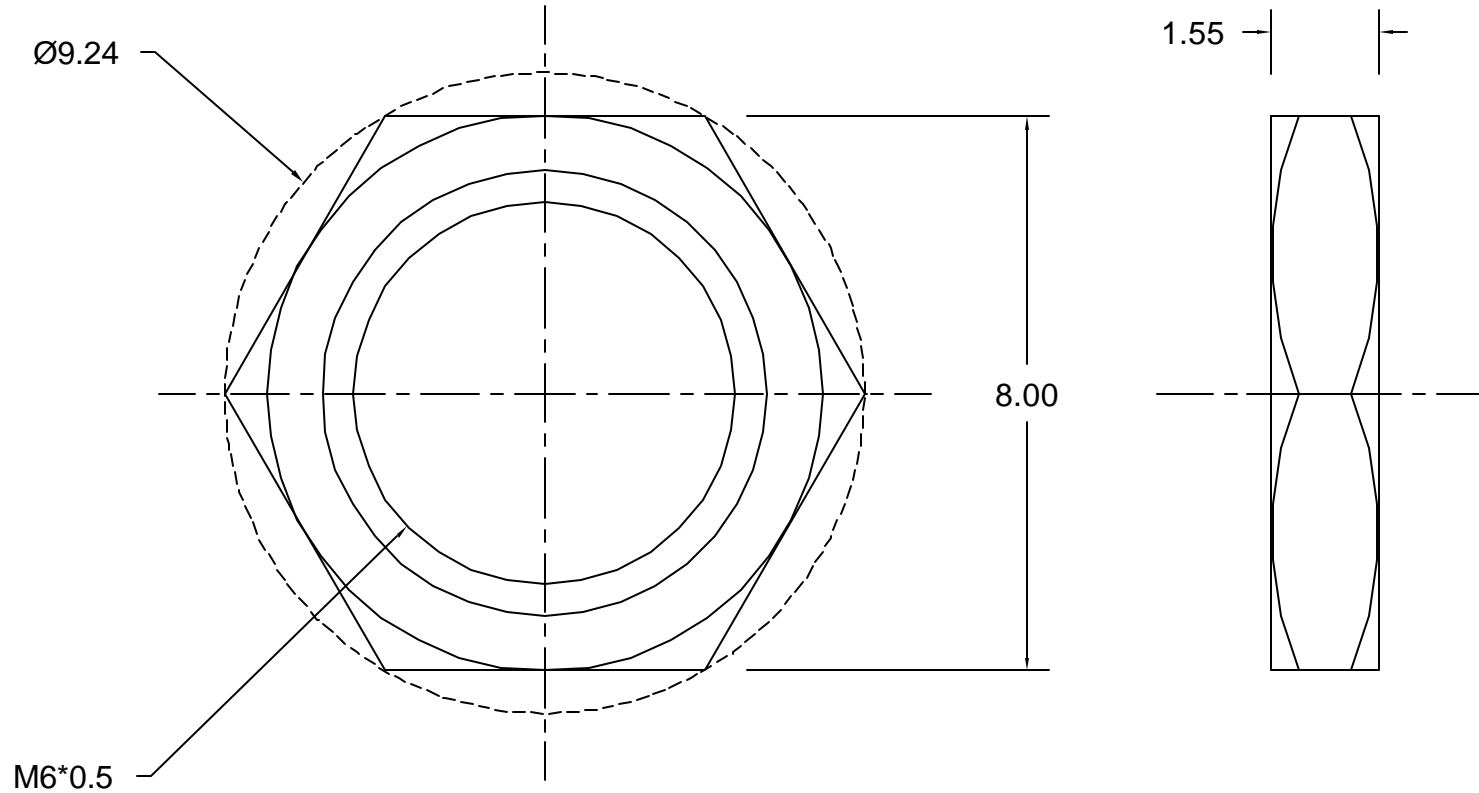


Material: Copper Alloy
 Finish: Nickel



Tolerances
X.X ± 0.25
X.XX ± 0.15
Unless Stated Otherwise



REV.	DATE	DESCRIPTION	REV. BY	CHK. BY	DRAWN BY	DATE
A1	02/22/06	New Drawing	R. Aguirre	H. MA	R. Aguirre	02/17/06
A2	03/04/08	ECO #08-013	R. Aguirre	H. MA		

HNX-M6-50

Hexagonal Nut, RoHS Compliant
 for ST Series Stereo Jacks

